

---

---

## Paints and varnishes — Cupping test

*Peintures et vernis — Essai d'emboutissage*

**iTeh STANDARD PREVIEW**  
**(standards.iteh.ai)**

[ISO 1520:2006](https://standards.iteh.ai/catalog/standards/sist/1c5650a6-e154-446e-97b8-6e2289d66a3a/iso-1520-2006)

<https://standards.iteh.ai/catalog/standards/sist/1c5650a6-e154-446e-97b8-6e2289d66a3a/iso-1520-2006>



**PDF disclaimer**

This PDF file may contain embedded typefaces. In accordance with Adobe's licensing policy, this file may be printed or viewed but shall not be edited unless the typefaces which are embedded are licensed to and installed on the computer performing the editing. In downloading this file, parties accept therein the responsibility of not infringing Adobe's licensing policy. The ISO Central Secretariat accepts no liability in this area.

Adobe is a trademark of Adobe Systems Incorporated.

Details of the software products used to create this PDF file can be found in the General Info relative to the file; the PDF-creation parameters were optimized for printing. Every care has been taken to ensure that the file is suitable for use by ISO member bodies. In the unlikely event that a problem relating to it is found, please inform the Central Secretariat at the address given below.

**iTeh STANDARD PREVIEW**  
**(standards.iteh.ai)**

[ISO 1520:2006](#)

<https://standards.iteh.ai/catalog/standards/sist/1c5650a6-e154-446e-97b8-6e2289d66a3a/iso-1520-2006>

© ISO 2006

All rights reserved. Unless otherwise specified, no part of this publication may be reproduced or utilized in any form or by any means, electronic or mechanical, including photocopying and microfilm, without permission in writing from either ISO at the address below or ISO's member body in the country of the requester.

ISO copyright office  
Case postale 56 • CH-1211 Geneva 20  
Tel. + 41 22 749 01 11  
Fax + 41 22 749 09 47  
E-mail [copyright@iso.org](mailto:copyright@iso.org)  
Web [www.iso.org](http://www.iso.org)

Published in Switzerland

**Contents**

Page

<b>1</b>	<b>Scope .....</b>	<b>1</b>
<b>2</b>	<b>Normative references .....</b>	<b>1</b>
<b>3</b>	<b>Principle .....</b>	<b>1</b>
<b>4</b>	<b>Apparatus .....</b>	<b>1</b>
<b>5</b>	<b>Sampling .....</b>	<b>3</b>
<b>6</b>	<b>Test panels .....</b>	<b>3</b>
<b>7</b>	<b>Procedure .....</b>	<b>3</b>
<b>8</b>	<b>Supplementary test conditions .....</b>	<b>4</b>
<b>9</b>	<b>Expression of results .....</b>	<b>4</b>
<b>10</b>	<b>Precision .....</b>	<b>5</b>
<b>11</b>	<b>Test report .....</b>	<b>5</b>
	<b>Bibliography .....</b>	<b>6</b>

**iTeh STANDARD PREVIEW**  
**(standards.iteh.ai)**

[ISO 1520:2006](#)

<https://standards.iteh.ai/catalog/standards/sist/1c5650a6-e154-446e-97b8-6e2289d66a3a/iso-1520-2006>

## Foreword

ISO (the International Organization for Standardization) is a worldwide federation of national standards bodies (ISO member bodies). The work of preparing International Standards is normally carried out through ISO technical committees. Each member body interested in a subject for which a technical committee has been established has the right to be represented on that committee. International organizations, governmental and non-governmental, in liaison with ISO, also take part in the work. ISO collaborates closely with the International Electrotechnical Commission (IEC) on all matters of electrotechnical standardization.

International Standards are drafted in accordance with the rules given in the ISO/IEC Directives, Part 2.

The main task of technical committees is to prepare International Standards. Draft International Standards adopted by the technical committees are circulated to the member bodies for voting. Publication as an International Standard requires approval by at least 75 % of the member bodies casting a vote.

Attention is drawn to the possibility that some of the elements of this document may be the subject of patent rights. ISO shall not be held responsible for identifying any or all such patent rights.

ISO 1520 was prepared by Technical Committee ISO/TC 35, *Paints and varnishes*, Subcommittee SC 9, *General test methods for paints and varnishes*.

This third edition cancels and replaces the second edition (ISO 1520:1999), which has been technically revised. The main changes are:

- the determination is carried out in duplicate instead of triplicate;
- precision data have been added;
- the text has been editorially revised and the normative references have been reviewed.

iTeh STANDARD PREVIEW  
(standards.iteh.ai)

ISO 1520:2006

<https://standards.iteh.ai/catalog/standards/sist/1c5650a6-e154-446e-97b8-6e2287d00a5a/iso-1520-2006>

## Introduction

This International Standard is one of six standards which specify empirical test procedures for assessing the resistance of coatings of paints, varnishes and related products to cracking and/or detachment from the substrate under different conditions of deformation.

The other standards are:

ISO 1519, *Paints and varnishes — Bend test (cylindrical mandrel)*

ISO 6272-1, *Paints and varnishes — Rapid-deformation (impact resistance) tests — Part 1: Falling-weight test, large-area indenter*

ISO 6272-2, *Paints and varnishes — Rapid-deformation (impact resistance) tests — Part 2: Falling-weight test, small-area indenter*

ISO 6860, *Paints and varnishes — Bend test (conical mandrel)*

ISO 17132, *Paints and varnishes — T-bend test*

The method to be chosen depends on the property which has to be measured. In principle, all these tests differ technically from each other and differ in accuracy.

**iTeh STANDARD PREVIEW**  
**(standards.iteh.ai)**

[ISO 1520:2006](https://standards.iteh.ai/catalog/standards/sist/1c5650a6-e154-446e-97b8-6e2289d66a3a/iso-1520-2006)

<https://standards.iteh.ai/catalog/standards/sist/1c5650a6-e154-446e-97b8-6e2289d66a3a/iso-1520-2006>

**iTeh STANDARD PREVIEW**  
**(standards.iteh.ai)**

ISO 1520:2006

<https://standards.iteh.ai/catalog/standards/sist/1c5650a6-e154-446e-97b8-6e2289d66a3a/iso-1520-2006>

# Paints and varnishes — Cupping test

## 1 Scope

This International Standard specifies an empirical method for assessing the resistance of a coating of paint, varnish or related product to cracking and/or detachment from a metal substrate when subjected to gradual deformation by indentation under standard conditions (see 7.1).

For a multi-coat system, each coat may be tested separately or the complete system may be tested.

The method may be carried out as follows:

- either as a “pass/fail” test, by testing to a specified depth of indentation to assess compliance with a particular requirement;
- or by gradually increasing the depth of indentation to determine the minimum depth at which the coating cracks and/or becomes detached from the substrate.

## 2 Normative references

The following referenced documents are indispensable for the application of this document. For dated references, only the edition cited applies. For undated references, the latest edition of the referenced document (including any amendments) applies.

ISO 1513, *Paints and varnishes — Examination and preparation of samples for testing*

ISO 1514, *Paints and varnishes — Standard panels for testing*

ISO 2808, *Paints and varnishes — Determination of film thickness*

ISO 15528, *Paints, varnishes and raw materials for paints and varnishes — Sampling*

## 3 Principle

The product or system under test is applied at uniform thickness to flat panels of uniform surface texture.

After drying/curing, the elastic properties of the paint film are determined by first placing the coated panel between two rings, namely the retaining ring and the drawing die. The panel is then pushed by a hemispherical indenter at a steady rate into the die so as to form a dome shape with the coating on the outside.

The deformation is increased either to a depth agreed between the interested parties or until the coating cracks and/or detaches from the substrate, and the result is then assessed.

## 4 Apparatus

**4.1 Cupping test apparatus**, which conforms to the design and dimensions shown in Figure 1 and consists essentially of the following components:

**4.1.1 Drawing die**, made of surface-hardened steel and of which the surface in contact with the test panel is plane-polished.

**4.1.2 Retaining ring**, of which the surface in contact with the test panel is plane-polished and parallel to the contacting surface of the die.

**4.1.3 Indenter**, of which the part contacting the test panel is of hardened polished steel and forms a hemisphere of 20 mm diameter.

It is preferable to use a mechanically driven indenter, but a hand-operated apparatus can also be used, provided the standard conditions of test (see Clause 7) can be achieved.

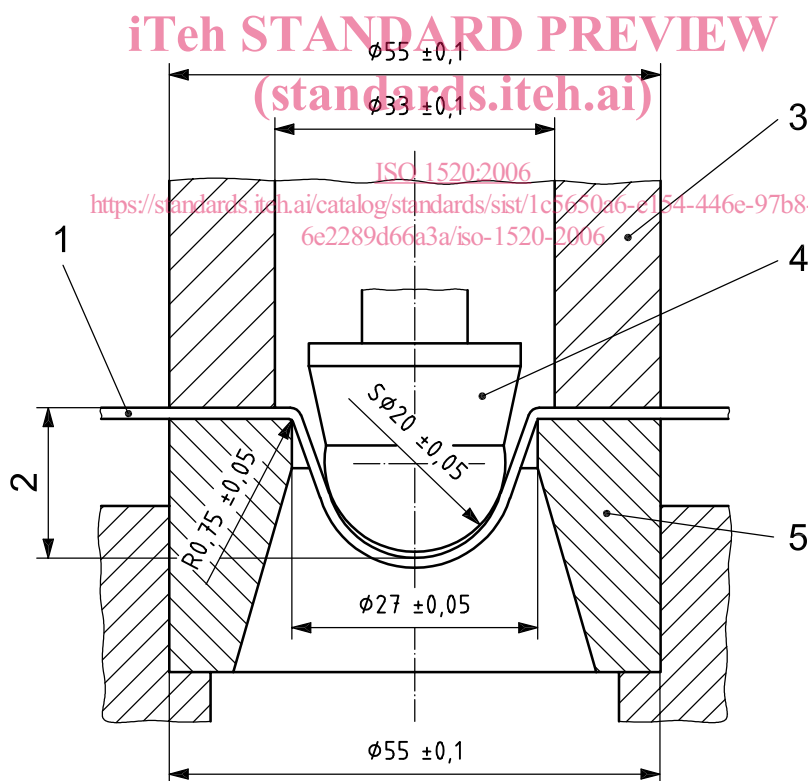
During the test, the indenter shall be prevented from turning and the centre of the spherical portion shall not deviate from the axis of the die by more than 0,1 mm. The indenter shall move at a steady speed of between 0,1 mm/s and 0,3 mm/s during the test.

The tip of the hemisphere, when at the zero position, shall be in the same plane as the face of the retaining ring, in contact with the test panel and in the centre of the bore of the drawing die.

**4.1.4 Measuring device(s)**, which can measure the depth of the indentation made by the indenter to the nearest 0,1 mm and the thickness of the test panel to the nearest 0,01 mm.

**4.2 Microscope or magnifier**, preferably with a magnification range extending up to  $\times 10$ , if necessary to view the panels during or after deformation.

Dimensions in millimetres



- Key**
- 1 test panel
  - 2 depth of indentation
  - 3 retaining ring
  - 4 indenter and ball
  - 5 die

**Figure 1 — Cupping test apparatus**



## 5 Sampling

Take a representative sample of the product to be tested (or of each product in the case of a multi-coat system) in accordance with ISO 15528.

Examine and prepare each sample for testing in accordance with ISO 1513.

## 6 Test panels

### 6.1 Substrate

Unless otherwise specified, select the substrate from one of those described in ISO 1514 and in accordance with the intended use.

The test panels shall be flat and free from distortion and capable of withstanding the cupping test without cracking.

NOTE If cracking of the substrate occurs before the cracking and/or detachment of the paint film, the test result of the paint film can be reported to be better than the indentation depth at which cracking of the substrate occurred.

### 6.2 Dimensions

The test panels shall be rectangular with the following dimensions:

- Thickness: not less than 0,3 mm and not more than 1,25 mm, as specified, measured with e.g. a micrometer (see 4.1.4) to the nearest 0,01 mm.
- Width and length: two tests shall be carried out, either on a single long strip or on two separate panels. The indentation centres in these tests shall be at least 35 mm from any edge, and the distance between any two indentation centres shall be a minimum of 70 mm. The test panels may be cut to size after coating and drying, provided no distortion occurs.

### 6.3 Preparation and coating

Unless otherwise agreed, prepare each test panel in accordance with ISO 1514 and then coat it by the specified method with the product or system under test.

### 6.4 Drying and conditioning

Dry (or stove) and age (if applicable) each coated test panel for the specified time and under the specified conditions. Unless otherwise agreed, condition the coated panels at  $(23 \pm 2)^\circ\text{C}$  and a relative humidity of  $(50 \pm 5)\%$  for a minimum period of 16 h before testing.

### 6.5 Thickness of coating

Determine the thickness, in micrometres, of the dried coating by one of the procedures specified in ISO 2808.

## 7 Procedure

### 7.1 Test conditions

Unless otherwise specified, carry out the test in duplicate at  $(23 \pm 2)^\circ\text{C}$  and a relative humidity of  $(50 \pm 5)\%$  (see also ISO 3270).