

# ETSI ES 202 706 V1.4.1 (2014-12)



## **Environmental Engineering (EE); Measurement method for power consumption and energy efficiency of wireless access network equipment**

**PREVIEW**  
iTech STANDARDS  
(standards.iteh.ai)  
Full standard available at: <https://standards.iteh.ai/catalog/standards/sist/eb88ae7f-b28b-449f-91aa-f9e939824d64/etsi-es-202-706-v1.4.0-2014-10>

## Reference

RES/EE-EEPS00022ed141

## Keywords

energy efficiency, GSM, LTE, WCDMA

**ETSI**

650 Route des Lucioles  
F-06921 Sophia Antipolis Cedex - FRANCE

Tel.: +33 4 92 94 42 00 Fax: +33 4 93 65 47 16

Siret N° 348 623 562 00017 - NAF 742 C  
Association à but non lucratif enregistrée à la  
Sous-Préfecture de Grasse (06) N° 7803/88

**Important notice**

The present document can be downloaded from:

<http://www.etsi.org>

The present document may be made available in electronic versions and/or in print. The content of any electronic and/or print versions of the present document shall not be modified without the prior written authorization of ETSI. In case of any existing or perceived difference in contents between such versions and/or in print, the only prevailing document is the print of the Portable Document Format (PDF) version kept on a specific network drive within ETSI Secretariat.

Users of the present document should be aware that the document may be subject to revision or change of status. Information on the current status of this and other ETSI documents is available at

<http://portal.etsi.org/tb/status/status.asp>

If you find errors in the present document, please send your comment to one of the following services:

[http://portal.etsi.org/chaircor/ETSI\\_support.asp](http://portal.etsi.org/chaircor/ETSI_support.asp)

**Copyright Notification**

No part may be reproduced or utilized in any form or by any means, electronic or mechanical, including photocopying and microfilm except as authorized by written permission of ETSI.

The content of the PDF version shall not be modified without the written authorization of ETSI.

The copyright and the foregoing restriction extend to reproduction in all media.

© European Telecommunications Standards Institute 2014.

All rights reserved.

**DECT™**, **PLUGTESTS™**, **UMTS™** and the ETSI logo are Trade Marks of ETSI registered for the benefit of its Members. **3GPP™** and **LTE™** are Trade Marks of ETSI registered for the benefit of its Members and of the 3GPP Organizational Partners.  
**GSM®** and the GSM logo are Trade Marks registered and owned by the GSM Association.

# Contents

Intellectual Property Rights .....	5
Foreword.....	5
Modal verbs terminology.....	5
Introduction .....	5
1 Scope .....	6
2 References .....	6
2.1 Normative references .....	6
2.2 Informative references.....	7
3 Definitions and abbreviations.....	8
3.1 Definitions.....	8
3.2 Abbreviations .....	9
4 Assessment method .....	10
4.1 Assessment levels.....	10
4.2 Assessment procedure .....	10
5 Reference configurations and Measurement conditions.....	11
5.1 Reference configurations.....	11
5.2 Measurement and test equipment requirements .....	12
5.2.1 BS Configuration .....	13
5.2.2 RF output (transmit) power/signal.....	13
5.2.3 Environmental conditions .....	13
5.2.4 Power supply .....	14
6 Static power consumption measurement.....	14
6.1 Calculation of average static power consumption for integrated BS.....	14
6.2 Calculation of average static power consumption for distributed BS.....	14
6.3 Measurement method for static BS power consumption .....	15
6.3.1 Test setup for power consumption measurement.....	15
6.3.2 Power consumption measurement procedure .....	16
7 Dynamic BS energy efficiency measurement .....	16
7.1 Test setup for dynamic energy efficiency measurement .....	16
7.2 Capacity test procedure .....	17
7.2.1 UE distribution for dynamic test method .....	17
7.2.2 UE performance requirements .....	18
7.2.3 Throughput setup .....	19
7.2.4 Verification of minimum data delivered to UEs .....	21
7.2.5 Definition of power consumption for integrated BS in dynamic method .....	22
7.2.6 Definition of power consumption for distributed BS in dynamic method .....	22
7.2.7 Energy efficiency for WCDMA and LTE.....	22
7.2.8 Energy efficiency for GSM.....	24
7.3 Coverage efficiency test procedure .....	24
7.4 Uncertainty .....	25
8 Measurement report.....	25
<b>Annex A (normative): Test Reports .....</b>	<b>26</b>
A.1 General information to be reported .....	26
A.2 Static power consumption report.....	27
<b>Annex B: Void .....</b>	<b>30</b>
<b>Annex C (normative): Coverage area definition .....</b>	<b>31</b>

<b>Annex D (normative):</b>	<b>Reference parameters for GSM/EDGE system.....</b>	<b>33</b>
<b>Annex E (normative):</b>	<b>Reference parameters for WCDMA/HSDPA system .....</b>	<b>35</b>
<b>Annex F (normative):</b>	<b>Reference parameters for LTE system .....</b>	<b>36</b>
<b>Annex G:</b>	<b>Void .....</b>	<b>40</b>
<b>Annex H (normative):</b>	<b>Definition of load levels for dynamic test.....</b>	<b>41</b>
<b>Annex I (informative):</b>	<b>Reference parameters for multi-standard (MCPA) system.....</b>	<b>44</b>
<b>Annex J (normative):</b>	<b>Uncertainty assessment .....</b>	<b>45</b>
J.1	General requirements .....	45
J.2	Components contributing to uncertainty .....	46
J.2.1	Contribution of the measurement system .....	46
J.2.1.1	Measurement equipment (static & dynamic) .....	46
J.2.1.2	Attenuators, cables (static and dynamic) .....	47
J.2.1.3	User equipment (UE) or UE emulator (dynamic) .....	47
J.2.2	Contribution of physical parameters.....	47
J.2.2.1	Impact of environmental parameters (static and dynamic) .....	47
J.2.2.2	Impact of path loss(dynamic).....	47
J.2.2.3	Data volume (dynamic) .....	47
J.2.3	Variance of device under test .....	47
J.3	Uncertainty assessment .....	48
J.3.1	Combined and expanded uncertainties .....	48
J.3.2	Cross correlation of uncertainty factors .....	49
J.3.3	Maximum expanded uncertainty .....	49
<b>Annex K (informative):</b>	<b>Reference parameters for WiMAX™ system .....</b>	<b>50</b>
<b>Annex L (informative):</b>	<b>Derivation of formula for verification of minimum data delivered to UE during dynamic test .....</b>	<b>52</b>
<b>Annex M (informative):</b>	<b>BS site efficiency parameters .....</b>	<b>55</b>
<b>Annex N (informative):</b>	<b>Example assessment.....</b>	<b>57</b>
<b>Annex O (informative):</b>	<b>Bibliography.....</b>	<b>59</b>
History .....		60

---

## Intellectual Property Rights

IPRs essential or potentially essential to the present document may have been declared to ETSI. The information pertaining to these essential IPRs, if any, is publicly available for **ETSI members and non-members**, and can be found in ETSI SR 000 314: *"Intellectual Property Rights (IPRs); Essential, or potentially Essential, IPRs notified to ETSI in respect of ETSI standards"*, which is available from the ETSI Secretariat. Latest updates are available on the ETSI Web server (<http://ipr.etsi.org>).

Pursuant to the ETSI IPR Policy, no investigation, including IPR searches, has been carried out by ETSI. No guarantee can be given as to the existence of other IPRs not referenced in ETSI SR 000 314 (or the updates on the ETSI Web server) which are, or may be, or may become, essential to the present document.

---

## Foreword

This ETSI Standard (ES) has been produced by ETSI Technical Committee Environmental Engineering (EE).

---

## Modal verbs terminology

In the present document "shall", "shall not", "should", "should not", "may", "may not", "need", "need not", "will", "will not", "can" and "cannot" are to be interpreted as described in clause 3.2 of the [ETSI Drafting Rules](#) (Verbal forms for the expression of provisions).

"**must**" and "**must not**" are **NOT** allowed in ETSI deliverables except when used in direct citation.

---

## Introduction

Energy efficiency is one of the critical factors of the modern telecommunication systems. The energy consumption of the access network is the dominating part of the wireless telecom network energy consumption. Therefore the core network and the service network are not considered in the present document. In the radio access network, the power consumption of the Base Station is dominating (depending on technology often also referred to as BTS, NodeB, eNodeB, etc. and in the present document denoted as BS). The power consumption of Radio Network Control nodes (RNC or BSC) are covered in ETSI ES 201 554 [5].

Since the scope of the present document is to define methods for evaluation of power consumption and energy efficiency of base station in static and dynamic mode respectively the following definitions are defined:

- Average power consumption of BS equipment under static test conditions: the BS average power consumption is based on measured BS power consumption data under static condition when the BS is loaded artificially in a lab for three different loads, low, medium and busy hour under given reference configuration.
- BS efficiency under dynamic load conditions: the BS capacity under dynamic traffic load provided within a defined coverage area and the corresponding power consumption is measured for given reference configurations.

---

# 1 Scope

The present document defines methods to analyse the power consumption and the energy efficiency of base stations in static and dynamic mode respectively.

The present document version covers the following radio access technologies:

- GSM.
- WCDMA.
- LTE.
- WiMAX™ (informative only).

The methodology described in the present document is to measure base station static power consumption and dynamic energy efficiency. Within the present document they are referred to as static and dynamic measurements.

The results based on "static" measurements of the BS power consumption provide a power consumption figure for BS under static load. The results based on "dynamic" measurements of the BS provide energy efficiency information for BS with dynamic load.

Energy consumption of terminal (end-user) equipment is outside the scope of the present document.

The scope of the present document is not to define target values for the power consumption nor the energy efficiency of equipment.

The results should only be used to assess and compare the power consumption and the energy efficiency of base stations.

The present document does not cover multi-RAT and MCPA. Only Wide Area Base Stations are covered in this version. Other type of BS will be considered in future versions of the present document.

---

# 2 References

References are either specific (identified by date of publication and/or edition number or version number) or non-specific. For specific references, only the cited version applies. For non-specific references, the latest version of the reference document (including any amendments) applies.

Referenced documents which are not found to be publicly available in the expected location might be found at <http://docbox.etsi.org/Reference>.

NOTE: While any hyperlinks included in this clause were valid at the time of publication, ETSI cannot guarantee their long term validity.

## 2.1 Normative references

The following referenced documents are necessary for the application of the present document.

- [1] Void.
- [2] ETSI TS 125 104: "Universal Mobile Telecommunications System (UMTS); Base Station (BS) radio transmission and reception (FDD) (3GPP TS 25.104)".
- [3] CENELEC EN 50160: "Voltage characteristics of electricity supplied by public electricity networks".
- [4] ETSI EN 300 132-2: "Environmental Engineering (EE); Power supply interface at the input to telecommunications and datacom (ICT) equipment; Part 2: Operated by -48 V direct current (dc)".

- [5] ETSI ES 201 554: "Environmental Engineering (EE); Measurement method for Energy efficiency of Mobile Core network and Radio Access Control equipment".
- [6] Void.
- [7] ETSI TS 125 141 (V8.3.0): "Universal Mobile Telecommunications System (UMTS); Base Station (BS) conformance testing (FDD) (3GPP TS 25.141 version 8.3.0 Release 8)".
- [8] ETSI TS 125 101: "Universal Mobile Telecommunications System (UMTS); User Equipment (UE) radio transmission and reception (FDD) (3GPP TS 25.101)".
- [9] ETSI TS 136 101: "LTE; Evolved Universal Terrestrial Radio Access (E-UTRA); User Equipment (UE) radio transmission and reception (3GPP TS 36.101)".
- [10] ETSI TS 136 211: "LTE; Evolved Universal Terrestrial Radio Access (E-UTRA); Physical channels and modulation (3GPP TS 36.211)".
- [11] ETSI TS 136 141 (V8.6.0): "LTE; Evolved Universal Terrestrial Radio Access (E-UTRA); Base Station (BS) conformance testing (3GPP TS 36.141 version 8.6.0 Release 8)".
- [12] ETSI TS 136 104: "LTE; Evolved Universal Terrestrial Radio Access (E-UTRA); Base Station (BS) radio transmission and reception (3GPP TS 36.104)".
- [13] IEEE 802.16e: "IEEE Standard for Local and metropolitan area networks Part 16: Air Interface for Fixed and Mobile Broadband Wireless Access Systems Amendment for Physical and Medium Access Control Layers for Combined Fixed and Mobile Operation in Licensed Bands".

NOTE: WiMAX™ Technologies and Standards.

## 2.2 Informative references

The following referenced documents are not necessary for the application of the present document but they assist the user with regard to a particular subject area.

- [i.1] Void.
- [i.2] IEC/ISO Guide 98-3: "Evaluation of measurement data - Guide to the expression of uncertainty in measurement" 2008 or equivalent GUM:2008/JCGM 100:2008.

NOTE: Available at [http://www.bipm.org/utls/common/documents/jcgm/JCGM\\_100\\_2008\\_E.pdf](http://www.bipm.org/utls/common/documents/jcgm/JCGM_100_2008_E.pdf).

- [i.3] ETSI TS 145 005: "Digital cellular telecommunications system (Phase 2+); Radio transmission and reception (3GPP TS 45.005)".
- [i.4] ISO/IEC 17025: "General requirements for the competence of testing and calibration laboratories".
- [i.5] ETSI TS 151 021: "Digital cellular telecommunications system (Phase 2+); Base Station System (BSS) equipment specification; Radio aspects (3GPP TS 51.021)".
- [i.6] IEC 62018: "Power consumption of information technology equipment - Measurement methods".

NOTE: Equivalent to CENELEC EN 62018.

- [i.7] ETSI TS 102 706 (V1.2.1): "Environmental Engineering (EE); Measurement Method for Energy Efficiency of Wireless Access Network Equipment".

## 3 Definitions and abbreviations

### 3.1 Definitions

For the purposes of the present document, the following terms and definitions apply:

**activity level:** traffic model in dynamic measurement is divided into three activity levels corresponding to low-, medium- and busy hour traffic

**activity time:** time to generate data from the server to at least one UE (in the scenario for dynamic measurement this corresponds to the transmission time for the UE group with highest path loss)

**Base Station (BS):** radio access network component which serves one or more radio cells and interfaces the user terminal (through air interface) and a wireless network infrastructure

**BS test control unit:** unit which can be used to control and manage BS locally in a lab

**busy hour:** period during which occurs the maximum total load in a given 24-hour period

**busy hour load:** in static measurement it is the highest measurement level of radio resource configuration and in dynamic measurement is the highest activity level

**distributed BS:** BS architecture which contains remote radio heads (i.e. RRH) close to antenna element and a central element connecting BS to network infrastructure

**dynamic measurement:** power consumption measurement performed with different activity levels and path losses

**efficiency:** throughout the present document the term efficiency is used as the relation between the useful output (telecom service, etc.) and energy consumption

**integrated BS:** BS architecture in which all BS elements are located close to each other; for example in one single cabinet

NOTE: The integrated BS architecture may include Tower Mount Amplifier (TMA) close to antenna.

**IPERF:** Software that allows the user to set various parameters that can be used for testing a network, or alternately for optimizing or tuning a network

NOTE: IPERF has a client and server functionality, and can measure the throughput between the two ends, either unidirectionally or bi-directionally. It is open source software and runs on various platforms including Linux, Unix and Windows.

**low load:** in static measurement it is the lowest measurement level of radio resource configuration and in dynamic measurement is the lowest activity level

**medium load:** in static measurement it is the medium measurement level of radio resource configuration and in dynamic measurement is the medium activity level

**power saving feature:** software/hardware feature in a BS which contributes to decrease power consumption

**site correction factor:** scaling factor to scale the BS equipment power consumption for reference site configuration taking into account different power supply solutions, different cooling solutions and power supply losses

**static measurement:** power consumption measurement performed with different radio resource configurations with pre-defined and fixed load levels

**UE group:** group of UEs whose pathlosses to the BS are identical

**Wide Area Base stations:** Base Stations that are characterized by requirements derived from Macro Cell scenarios with a BS to UE minimum coupling loss equals to 70 dB and having a rated output power (PRAT) above 38 dBm, where the Rated output power, PRAT, of the BS is the mean power level per carrier for BS operating in single carrier, multi-carrier, or carrier aggregation configurations that the manufacturer has declared to be available at the antenna connector during the transmitter ON period according to 3GPP standardization, ETSI TS 136 104 [12] and ETSI TS 125 104 [2]



## 3.2 Abbreviations

For the purposes of the present document, the following abbreviations apply:

AC	Alternating Current
AMR	Adaptive Multi Rate
BCCH	Broadcast Control CHannel
BER	Bit Error Rate
BH	Busy Hour
BS	Base Station
BSC	Base Station Controller
BTS	Base Transceiver Station
BW	Bandwidth
CCE	Control Channel Elements
CCH	Common CHannel
CCPCH	Common Control Physical Channel
CF	Cooling Factor
CPICH	Common Pilot CHannel
CS	Circuit Switched
DC	Direct Current
DL	DownLink
DPCH	Dedicated Physical CHannel
DUT	Device Under Test
EC	Energy for Central part
EDGE	Enhanced Data rate GSM Evolution
EPRE	Emitted Power per Resource Element
ERRH	Energy for Remote Radio Part
FCH	Frequency Correction Channel
GERAN	GSM/EDGE Radio Access Network
GSM	Global System for Mobile communication
GUM	Guide to the expression of Uncertainty in Measurement
HSPA	High Speed Packet Access
HW	HardWare
JCGM	Joint Committee for Guides in Metrology
KPI	Key Performance Indicator
LTE	Long Term Evolution
MAP	Media Access Protocol
MCPA	Multi Carrier Power Amplifier
MIMO	Multiple Input Multiple Output
NA	Not Applicable
NIST	National Institute of Standards and Technology
OFDM	Orthogonal Frequency Division Multiplex
PA	Power Amplifier
PBCH	Packet Broadcast Control Channel
PBH	Power during Busy Hour
PC	Power for Central Part
PCFICH	Physical Control Format Indicator CHannel
PCH	Paging Channel
PCM	Pulse Code Modulation
PDCCH	Physical Downlink Control CHannel
PDF	Proportional Distribution Function
PDSCH	Physical Downlink Shared CHannel
PFF	Power Feeding Factor
PHICH	Physical Hybrid ARQ Indicator CHannel
PICH	Paging Indicator Channel
PRB	Physical Resource Block
PRRH	Power for Remote Radio Head
PSF	Power Supply Factor
PSS	Primary Synchronizing Signal
RAT	Radio Access Technology
RBS	Radio Base Station

REG	Resource Element Group
RF	Radio Frequency
RNC	Radio Network Controller
RRH	Remote Radio Head
RS	Reference Signals
RX	Receiver
SAE	System Architecture Evolution
SCH	Synchronization Channel
SDH	Synchronous Digital Hierarchy
SIMO	Single Input Multiple Output
SSS	Secondary Synchronizing Signal
SW	SoftWare
TD	Time during one Duty cycle
TF	Tolerance Factor
TMA	Tower Mount Amplifier
TP	ThroughPut
TRX	Transceiver
TS	Time Slot
TX	Transmitter
UDP	User Data Protocol
UE	User Equipment
UL	UpLink
UL/DL	Uplink/Downlink
WCDMA	Wideband Code Division Multiple Access
WiMAX™	Worldwide interoperability for Microwave Access

## 4 Assessment method

This clause is valid for both static and dynamic measurement methods.

### 4.1 Assessment levels

The present document defines a two level assessment methods to be used to both evaluate power consumption and energy efficiency of base stations. The two levels are:

- BS equipment average power consumption for which the present document defines reference BS equipment configurations and reference load levels to be used when measuring BS power consumption.
- BS equipment energy efficiency defined as the measured capacity for a defined coverage area is divided by the simultaneously measured energy consumption.

### 4.2 Assessment procedure

The assessment procedure contains the following tasks:

- 1) Identification of equipment under test:
  - 1.1 Identify BS basic parameters (table A.1 in annex A).
  - 1.2 List BS configuration and traffic load(s) for measurements (annexes D, E, F, H, K).
  - 1.3 List of used power saving features and capacity enhancement features.
- 2) Static power measurement, Measure BS equipment power consumption for required load levels (see clause 6).
- 3) Efficiency measurement under dynamic load conditions, Measure BS equipment capacity and power consumption under required conditions (see clause 7).
- 4) Collect and report the measurement results.

## 5 Reference configurations and Measurement conditions

This clause is valid for both static and dynamic measurement methods.

The BS equipment is a network component which serves one or more cells and interfaces the mobile station (through air interface) and a wireless network infrastructure (BSC or RNC) ([i.3] and [2]).

### 5.1 Reference configurations

Reference configurations are defined for the different technologies (GSM/EDGE, WCDMA/HSPA, LTE, WiMAX™) in the corresponding annexes (annexes D to G).

These configurations include compact and distributed BS, mast head amplifiers, remote radio heads, RF feeder cables, number of carriers, number of sectors, power range per sector, frequency range, diversity, MIMO.

The BS shall be tested with its intended commercially available configuration at temperatures defined in clause 5.2.3 "Environmental conditions". It shall be clearly reported in the measurement report if the BS can not be operated without additional air-conditioning at the defined temperatures.

Appropriate transmission e.g. a transport function for E1/T1/Gbit Ethernet or other providing capacity corresponding to the BS capacity, shall be included in the BS configuration during testing. The configurations include:

- 1) UL diversity (This is a standard feature in all BS. Therefore it is considered sufficient that the test is performed on the main RX antenna only. The diversity RX shall be active during the measurement without connection to the test signal).
- 2) DL diversity (Not considered in R99 and HSPA. LTE: Transmission mode 3 "Open loop spatial multiplexing" shall be according to ETSI TS 136 211 [10] (2×2 DL MIMO)).

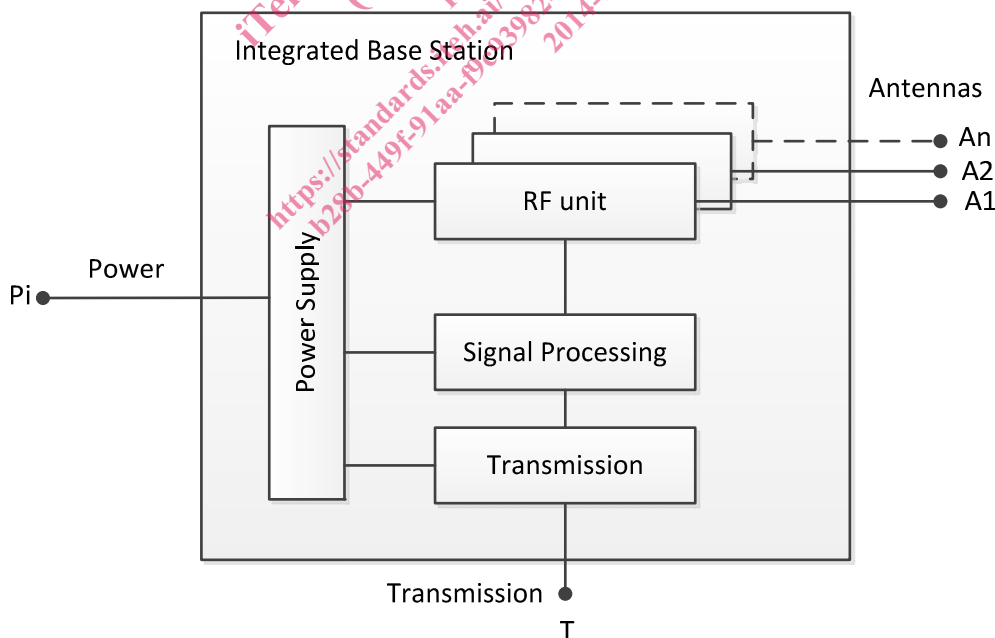


Figure 1: Integrated BS model

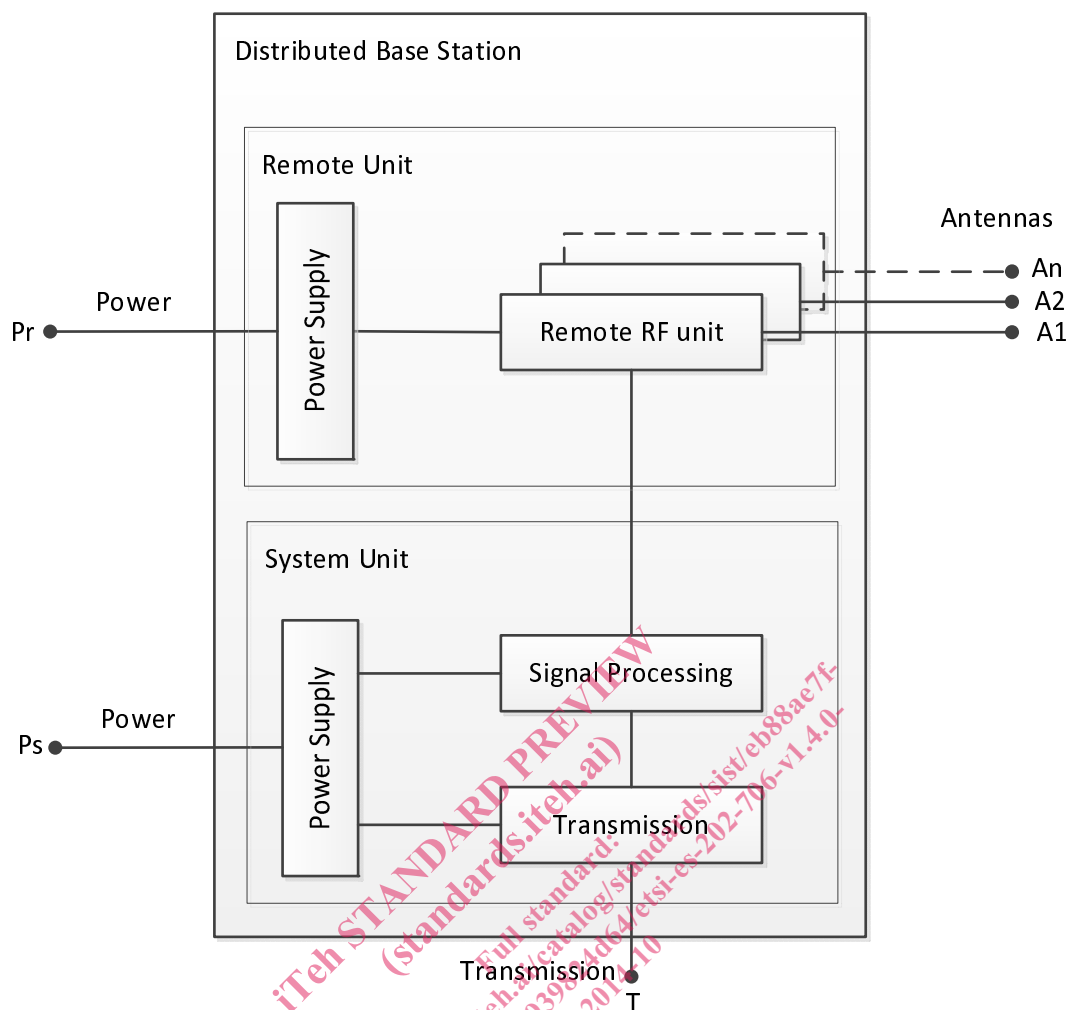


Figure 2: Distributed BS model

## 5.2 Measurement and test equipment requirements

The measurement of the power consumption shall be performed by either measuring the power supply voltage and true effective current in parallel and calculate the resulting power consumption (applicable only for DC) or with a wattmeter (applicable for both AC and DC). The measurements can be performed by a variety of measurement equipment, including power clamps, or power supplies with in-built power measurement capability.

All measurement equipment shall be calibrated and shall have data output interface in order to allow long term data recording and calculation of the complete power consumption over a dedicated time.

The measurement equipment shall comply with following attributes:

- Inputpower:
  - Resolution:  $\leq 10 \text{ mA}$ ;  $\leq 100 \text{ mV}$ ;  $\leq 100 \text{ mW}$ .
  - DC current:  $\pm 1 \%$ .
  - DC voltage:  $\pm 1 \%$ .
  - AC power:  $\pm 1 \%$ .
    - An available current crest factor of 5 or more.
    - The test instrument shall have a bandwidth of at least 1 kHz.

NOTE: Additional information on accuracy can be found in IEC 62018 [i.6].

- RF output power:  $\pm 0,4$  dB.

### 5.2.1 BS Configuration

The BS shall be tested under normal test conditions according to the information accompanying the equipment. The BS, test configuration and mode of operation (baseband, control and RF part of the BS as well as the software and firmware) shall represent the normal intended use and shall be recorded in the test report.

The BS shall be tested with its typical configuration. In case of multiple configurations a configuration with 3 sectors shall be used. Examples: a typical wide area BS configuration consists of three sectors and shall therefore be tested in a three sector configuration; another BS configuration might be designed for dual or single sector applications and therefore be tested in the configuration of its intended configuration.

The connection to the simulator via the BS controller interface shall be an electrical or optical cable-based interface (e.g. PCM, SDH, and Ethernet) which is commercially offered along with the applied BS configuration. Additional power consuming features like battery loading shall be switched off.

The power saving features and used SW version shall be listed in the measurement report.

The measurement report shall mention the configuration of the BS for example the type of RF signal combining (antenna network combining, air combining or multi-carrier).

### 5.2.2 RF output (transmit) power/signal

Due to the different nominal RF output power values of the various BS models and additionally their RF output power tolerances within the tolerance ranges defined by the corresponding mobile radio standards, it is necessary to measure the real RF output power at each RF output connector of the BS.

During the test the BS shall be operated with the nominal RF output powers which would be applied in commercial operation regarding the reference networks and the traffic profiles listed in annexes D, E, F, H, K.

The power amplifier(s) of the BS shall support the same crest factor (peak to average ratio) and back-off as applied in the commercial product.

All relevant requirements from the corresponding 3GPP and GERAN specifications for the air-interface, e.g. [2] for WCDMA/HSPA and LTE, shall be fulfilled.

### 5.2.3 Environmental conditions

For the power consumption measurements the environmental conditions under which the BS has to be tested are defined as follows.

**Table 1: BS environmental conditions**

Condition	Minimum	Maximum
Barometric pressure	86 kPa (860 mbar)	106 kPa (1 060 mbar)
Relative Humidity	20 %	85 %
Vibration	Negligible	
Temperature	Static: +25 °C and +40 °C Dynamic: +25 °C	
Temperature accuracy	$\pm 2$ °C	

The power consumption measurements shall be performed when stable temperature conditions inside the equipment are reached. For this purpose the BS shall be placed in the environmental conditions for minimum two hours with a minimum operation time of one hour before doing measurements.