



SLOVENSKI STANDARD
SIST ISO 3547-6:2008

01-julij-2008

Drsni ležaji - Zvite puše - 6. del: Merjenje notranjega premera

Plain bearings - Wrapped bushes - Part 6: Checking the inside diameter

Gleitlager - Gerollte Buchsen - Teil 6: Prüfung des Innendurchmessers

Paliers lisses - Bagues roulées - Partie 6: Contrôle du diamètre intérieur

Ta slovenski standard je istoveten z: ISO 3547-6:2007

[SIST ISO 3547-6:2008](https://standards.iteh.ai/catalog/standards/sist/c587fe29-d2d9-4b6c-9e8a-7124254db9ac/sist-iso-3547-6-2008)

<https://standards.iteh.ai/catalog/standards/sist/c587fe29-d2d9-4b6c-9e8a-7124254db9ac/sist-iso-3547-6-2008>

ICS:

21.100.10	Drsni ležaji	Plain bearings
-----------	--------------	----------------

SIST ISO 3547-6:2008

en

iTeh STANDARD PREVIEW
(standards.iteh.ai)

SIST ISO 3547-6:2008

<https://standards.iteh.ai/catalog/standards/sist/c587fe29-d2d9-4b6c-9e8a-7124254db9ac/sist-iso-3547-6-2008>

**Plain bearings — Wrapped bushes —
Part 6:
Checking the inside diameter**

Paliers lisses — Bagues roulées —

Partie 6: Contrôle du diamètre intérieur

iTeh STANDARD PREVIEW
(standards.iteh.ai)

[SIST ISO 3547-6:2008](https://standards.iteh.ai/catalog/standards/sist/c587fe29-d2d9-4b6c-9e8a-7124254db9ac/sist-iso-3547-6-2008)

<https://standards.iteh.ai/catalog/standards/sist/c587fe29-d2d9-4b6c-9e8a-7124254db9ac/sist-iso-3547-6-2008>



PDF disclaimer

This PDF file may contain embedded typefaces. In accordance with Adobe's licensing policy, this file may be printed or viewed but shall not be edited unless the typefaces which are embedded are licensed to and installed on the computer performing the editing. In downloading this file, parties accept therein the responsibility of not infringing Adobe's licensing policy. The ISO Central Secretariat accepts no liability in this area.

Adobe is a trademark of Adobe Systems Incorporated.

Details of the software products used to create this PDF file can be found in the General Info relative to the file; the PDF-creation parameters were optimized for printing. Every care has been taken to ensure that the file is suitable for use by ISO member bodies. In the unlikely event that a problem relating to it is found, please inform the Central Secretariat at the address given below.

iTeh STANDARD PREVIEW
(standards.iteh.ai)

[SIST ISO 3547-6:2008](https://standards.iteh.ai/catalog/standards/sist/c587fe29-d2d9-4b6c-9e8a-7124254db9ac/sist-iso-3547-6-2008)

<https://standards.iteh.ai/catalog/standards/sist/c587fe29-d2d9-4b6c-9e8a-7124254db9ac/sist-iso-3547-6-2008>



COPYRIGHT PROTECTED DOCUMENT

© ISO 2007

All rights reserved. Unless otherwise specified, no part of this publication may be reproduced or utilized in any form or by any means, electronic or mechanical, including photocopying and microfilm, without permission in writing from either ISO at the address below or ISO's member body in the country of the requester.

ISO copyright office
Case postale 56 • CH-1211 Geneva 20
Tel. + 41 22 749 01 11
Fax + 41 22 749 09 47
E-mail copyright@iso.org
Web www.iso.org

Published in Switzerland

Contents

Page

Foreword	iv
1 Scope	1
2 Normative references	1
3 Symbols and units	2
4 Method of checking	2
5 Test equipment	2
6 Procedure	6
Bibliography	7

iTeh STANDARD PREVIEW
(standards.iteh.ai)

[SIST ISO 3547-6:2008](https://standards.iteh.ai/catalog/standards/sist/c587fe29-d2d9-4b6c-9e8a-7124254db9ac/sist-iso-3547-6-2008)

<https://standards.iteh.ai/catalog/standards/sist/c587fe29-d2d9-4b6c-9e8a-7124254db9ac/sist-iso-3547-6-2008>

Foreword

ISO (the International Organization for Standardization) is a worldwide federation of national standards bodies (ISO member bodies). The work of preparing International Standards is normally carried out through ISO technical committees. Each member body interested in a subject for which a technical committee has been established has the right to be represented on that committee. International organizations, governmental and non-governmental, in liaison with ISO, also take part in the work. ISO collaborates closely with the International Electrotechnical Commission (IEC) on all matters of electrotechnical standardization.

International Standards are drafted according to the rules given in the ISO/IEC Directives, Part 2.

The main task of technical committees is to prepare International Standards. Draft International Standards adopted by the technical committees are circulated to the member bodies for voting. Publication as an International Standard requires approval by at least 75 % of the member bodies casting a vote.

Attention is drawn to the possibility that some of the elements of this document may be the subject of patent rights. ISO shall not be held responsible for identifying any or all such patent rights.

ISO 3547-6 was prepared by Technical Committee ISO/TC 123, *Plain bearings*, Subcommittee SC 5, *Quality analysis and assurance*.

This part of ISO 3547 cancels and replaces ISO 12307-2:2000, which has been technically revised.

ISO 3547 consists of the following parts, under the general title *Plain bearings — Wrapped bushes*:

- *Part 1: Dimensions* [SIST ISO 3547-6:2008
https://standards.iteh.ai/catalog/standards/sist/c587fe29-d2d9-4b6c-9e8a-7124254db9ac/sist-iso-3547-6-2008](https://standards.iteh.ai/catalog/standards/sist/c587fe29-d2d9-4b6c-9e8a-7124254db9ac/sist-iso-3547-6-2008)
- *Part 2: Test data for outside and inside diameters*
- *Part 3: Lubrication holes, grooves and indentations*
- *Part 4: Materials*
- *Part 5: Checking the outside diameter*
- *Part 6: Checking the inside diameter*
- *Part 7: Measurement of wall thickness of thin-walled bushes*

Plain bearings — Wrapped bushes —

Part 6: Checking the inside diameter

1 Scope

The part of ISO 3547 specifies, following ISO 12301, the checking of the inside diameter of wrapped bushes (see ISO 3547-2:2006, method C) and describes the necessary checking methods and measuring equipment.

Wrapped bushes in the free condition are flexible, but after insertion they adapt largely to the shape of the housing bore due to the interference between the outside diameter of the bush and the housing bore.

NOTE 1 All dimensions in this part of ISO 3547 are given in millimetres except where otherwise noted/designated.

NOTE 2 The dimensions and tolerances of wrapped bushes are given in ISO 3547-1.

NOTE 3 Checking of the wall thickness is the subject of ISO 3547-7.

NOTE 4 Checking of the outside diameter of wrapped bushes is the subject of ISO 3547-5.

2 Normative references

[SIST ISO 3547-6:2008](https://standards.iteh.ai/catalog/standards/sist/c587fe29-d2d9-4b6c-9e8a-7124254db9ac/sist-iso-3547-6-2008)

<https://standards.iteh.ai/catalog/standards/sist/c587fe29-d2d9-4b6c-9e8a-7124254db9ac/sist-iso-3547-6-2008>

The following referenced documents are indispensable for the application of this document. For dated references, only the edition cited applies. For undated references, the latest edition of the referenced document (including any amendments) applies.

ISO 3547-1:2006, *Plain bearings — Wrapped bushes — Part 1: Dimensions*

3 Symbols and units

See Table 1.

Table 1 — Symbols and units

Symbol	Parameter	Unit
B	Nominal width of the bush	millimetres
$b_{ch, 1}$	Width of the ring gauge	millimetres
$b_{ch, 2}$	Width of the plug gauge	millimetres
d_0	Outside diameter of the ring gauge	millimetres
D_i	Nominal inside diameter of the bush	millimetres
$D_{i, ch}$	Inside diameter of the bush in the ring gauge	millimetres
D_o	Nominal outside diameter of the bush	millimetres
R_a	Surface roughness	micrometres
t_1	Tolerance of form and position	millimetres
$d_{ch, 1}$	Inside diameter of the ring gauge	millimetres
$d_{ch, 2}$	Outside diameter of the plug gauge	millimetres

4 Method of checking

iTeh STANDARD PREVIEW
(standards.iteh.ai)

The free diameter of a wrapped bush is not measured directly because of the flexible nature of the components.

SIST ISO 3547-6:2008

To check the inside diameter, $D_{i, ch}$, the bush is pressed into a ring gauge whose nominal diameter corresponds to the dimension of the housing. For bushes specified in ISO 3547-1, the tolerance class of housing bore is normally H7.

When the bush is pressed into the ring gauge, it is possible that there is a permanent reduction in the outside diameter.

The inside diameter, $D_{i, ch}$, is measured with a three-point measuring instrument or with a GO or a NO GO gauge.

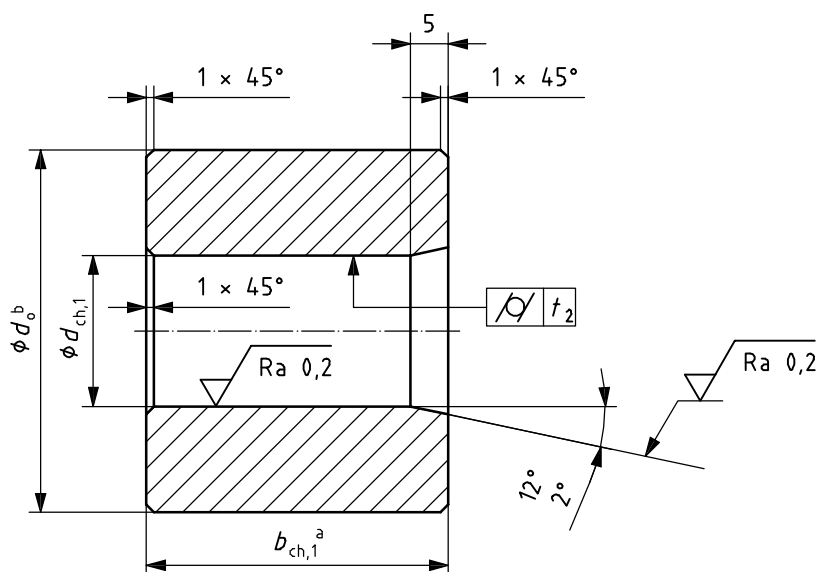
In order to enable the supplier and the user to compare results of this test it shall be agreed whether results shall be obtained by measuring or by gauging.

5 Test equipment

5.1 Ring gauge

Unless otherwise agreed between supplier and user, the dimensions shown in Figure 1 and given in Table 2 are valid for the ring gauge.

Dimensions in millimetres, unless otherwise designated



- a $b_{ch,1} \geq B + 9$
- b $d_o \geq d_{ch,1} + 50$

Figure 1 — Ring gauge
(standards.iteh.ai)

Table 2 — Dimensions, manufacturing tolerances and wear limits for ring gauges and plug gauges

SIST ISO 3547-6:2008

Dimensions in millimetres

D_o^a nominal			$d_{ch,1}$		$d_{ch,2}$		t_1	
	Target Size ^b	Manufacturing tolerance	Wear limit	Manufacturing tolerance	Wear limit	Manufacturing tolerance	Wear limit	
≤ 10	$D_o + 0,008$	+0,003 0	+0,005 0	0 -0,003	-0,005	0,002	0,004	
> 10	$D_o + 0,009$							
> 18	$D_o + 0,011$							
> 30	$D_o + 0,013$							
> 50	$D_o + 0,015$							
> 80	$D_o + 0,018$							
> 120	$D_o + 0,020$	+0,005 0	+0,007	0 -0,005	-0,007	0,003	0,005	

^a For bushes with $D_o > 180$ mm, agreement shall be reached between the supplier and user.
^b The target size of the ring gauge inside diameter is made up of D_o and the rounded average value of the tolerance class H7. In ISO 3547-1, H7 is recommended as the tolerance class for the housing bore.