

---

---

**Plain bearings — Wrapped bushes —  
Part 6:  
Checking the inside diameter**

*Paliers lisses — Bagues roulées —*

*Partie 6: Contrôle du diamètre intérieur*

**iTeh STANDARD PREVIEW**  
**(standards.iteh.ai)**

ISO 3547-6:2007

<https://standards.iteh.ai/catalog/standards/sist/f05e8535-67d9-48cd-9539-76f5b66d8250/iso-3547-6-2007>



**PDF disclaimer**

This PDF file may contain embedded typefaces. In accordance with Adobe's licensing policy, this file may be printed or viewed but shall not be edited unless the typefaces which are embedded are licensed to and installed on the computer performing the editing. In downloading this file, parties accept therein the responsibility of not infringing Adobe's licensing policy. The ISO Central Secretariat accepts no liability in this area.

Adobe is a trademark of Adobe Systems Incorporated.

Details of the software products used to create this PDF file can be found in the General Info relative to the file; the PDF-creation parameters were optimized for printing. Every care has been taken to ensure that the file is suitable for use by ISO member bodies. In the unlikely event that a problem relating to it is found, please inform the Central Secretariat at the address given below.

**iTeh STANDARD PREVIEW**  
**(standards.iteh.ai)**

[ISO 3547-6:2007](https://standards.iteh.ai/catalog/standards/sist/f05e8535-67d9-48cd-9539-76f5b66d8250/iso-3547-6-2007)

<https://standards.iteh.ai/catalog/standards/sist/f05e8535-67d9-48cd-9539-76f5b66d8250/iso-3547-6-2007>



**COPYRIGHT PROTECTED DOCUMENT**

© ISO 2007

All rights reserved. Unless otherwise specified, no part of this publication may be reproduced or utilized in any form or by any means, electronic or mechanical, including photocopying and microfilm, without permission in writing from either ISO at the address below or ISO's member body in the country of the requester.

ISO copyright office  
Case postale 56 • CH-1211 Geneva 20  
Tel. + 41 22 749 01 11  
Fax + 41 22 749 09 47  
E-mail [copyright@iso.org](mailto:copyright@iso.org)  
Web [www.iso.org](http://www.iso.org)

Published in Switzerland

## Contents

Page

Foreword.....	iv
1 Scope .....	1
2 Normative references .....	1
3 Symbols and units .....	2
4 Method of checking .....	2
5 Test equipment .....	2
6 Procedure .....	6
Bibliography .....	7

## iTeh STANDARD PREVIEW (standards.iteh.ai)

[ISO 3547-6:2007](https://standards.iteh.ai/catalog/standards/sist/f05e8535-67d9-48cd-9539-76f5b66d8250/iso-3547-6-2007)

<https://standards.iteh.ai/catalog/standards/sist/f05e8535-67d9-48cd-9539-76f5b66d8250/iso-3547-6-2007>

## Foreword

ISO (the International Organization for Standardization) is a worldwide federation of national standards bodies (ISO member bodies). The work of preparing International Standards is normally carried out through ISO technical committees. Each member body interested in a subject for which a technical committee has been established has the right to be represented on that committee. International organizations, governmental and non-governmental, in liaison with ISO, also take part in the work. ISO collaborates closely with the International Electrotechnical Commission (IEC) on all matters of electrotechnical standardization.

International Standards are drafted according to the rules given in the ISO/IEC Directives, Part 2.

The main task of technical committees is to prepare International Standards. Draft International Standards adopted by the technical committees are circulated to the member bodies for voting. Publication as an International Standard requires approval by at least 75 % of the member bodies casting a vote.

Attention is drawn to the possibility that some of the elements of this document may be the subject of patent rights. ISO shall not be held responsible for identifying any or all such patent rights.

ISO 3547-6 was prepared by Technical Committee ISO/TC 123, *Plain bearings*, Subcommittee SC 5, *Quality analysis and assurance*.

This part of ISO 3547 cancels and replaces ISO 12307-2:2000, which has been technically revised.

ISO 3547 consists of the following parts, under the general title *Plain bearings — Wrapped bushes*:

- *Part 1: Dimensions* [ISO 3547-6:2007](https://standards.iteh.ai/catalog/standards/sist/f05e8535-67d9-48cd-9539-76f5b66d8250/iso-3547-6-2007)
- *Part 2: Test data for outside and inside diameters* <https://standards.iteh.ai/catalog/standards/sist/f05e8535-67d9-48cd-9539-76f5b66d8250/iso-3547-6-2007>
- *Part 3: Lubrication holes, grooves and indentations*
- *Part 4: Materials*
- *Part 5: Checking the outside diameter*
- *Part 6: Checking the inside diameter*
- *Part 7: Measurement of wall thickness of thin-walled bushes*

# Plain bearings — Wrapped bushes —

## Part 6: Checking the inside diameter

### 1 Scope

The part of ISO 3547 specifies, following ISO 12301, the checking of the inside diameter of wrapped bushes (see ISO 3547-2:2006, method C) and describes the necessary checking methods and measuring equipment.

Wrapped bushes in the free condition are flexible, but after insertion they adapt largely to the shape of the housing bore due to the interference between the outside diameter of the bush and the housing bore.

NOTE 1 All dimensions in this part of ISO 3547 are given in millimetres except where otherwise noted/designated.

NOTE 2 The dimensions and tolerances of wrapped bushes are given in ISO 3547-1.

NOTE 3 Checking of the wall thickness is the subject of ISO 3547-7.

NOTE 4 Checking of the outside diameter of wrapped bushes is the subject of ISO 3547-5.

### 2 Normative references

[ISO 3547-6:2007](#)

<https://standards.iteh.ai/catalog/standards/sist/f05e8535-67d9-48cd-9539-76f5b66d8250/iso-3547-6-2007>

The following referenced documents are indispensable for the application of this document. For dated references, only the edition cited applies. For undated references, the latest edition of the referenced document (including any amendments) applies.

ISO 3547-1:2006, *Plain bearings — Wrapped bushes — Part 1: Dimensions*

### 3 Symbols and units

See Table 1.

**Table 1 — Symbols and units**

Symbol	Parameter	Unit
$B$	Nominal width of the bush	millimetres
$b_{ch, 1}$	Width of the ring gauge	millimetres
$b_{ch, 2}$	Width of the plug gauge	millimetres
$d_0$	Outside diameter of the ring gauge	millimetres
$D_i$	Nominal inside diameter of the bush	millimetres
$D_{i, ch}$	Inside diameter of the bush in the ring gauge	millimetres
$D_o$	Nominal outside diameter of the bush	millimetres
$R_a$	Surface roughness	micrometres
$t_1$	Tolerance of form and position	millimetres
$d_{ch, 1}$	Inside diameter of the ring gauge	millimetres
$d_{ch, 2}$	Outside diameter of the plug gauge	millimetres

### 4 Method of checking

**iTeh STANDARD PREVIEW**  
(standards.iteh.ai)

The free diameter of a wrapped bush is not measured directly because of the flexible nature of the components.

<https://standards.iteh.ai/catalog/standards/sist/05e8535-67d9-48cd-9539-7615e66d8250/iso-3547-6-2007>

To check the inside diameter,  $D_{i, ch}$ , the bush is pressed into a ring gauge whose nominal diameter corresponds to the dimension of the housing. For bushes specified in ISO 3547-1, the tolerance class of housing bore is normally H7.

When the bush is pressed into the ring gauge, it is possible that there is a permanent reduction in the outside diameter.

The inside diameter,  $D_{i, ch}$ , is measured with a three-point measuring instrument or with a GO or a NO GO gauge.

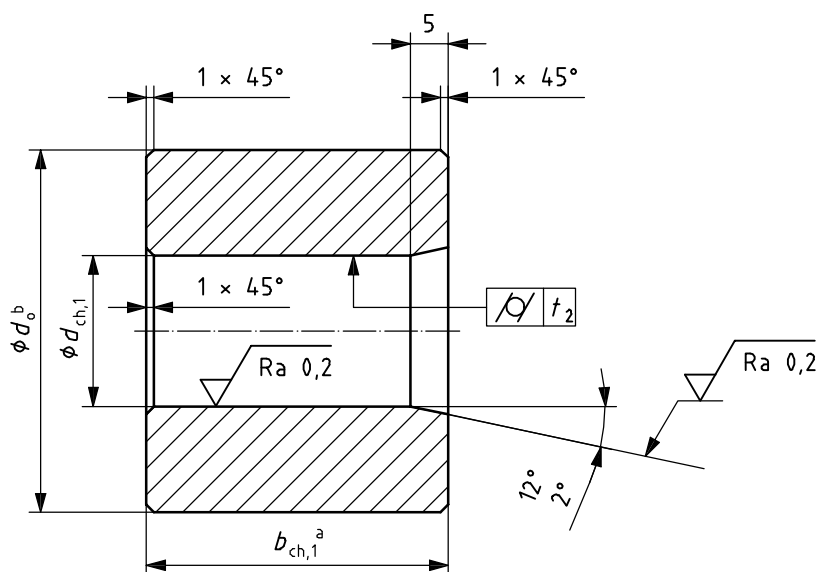
In order to enable the supplier and the user to compare results of this test it shall be agreed whether results shall be obtained by measuring or by gauging.

### 5 Test equipment

#### 5.1 Ring gauge

Unless otherwise agreed between supplier and user, the dimensions shown in Figure 1 and given in Table 2 are valid for the ring gauge.

Dimensions in millimetres, unless otherwise designated



- a  $b_{ch,1} \geq B + 9$
- b  $d_o \geq d_{ch,1} + 50$

**Figure 1 — Ring gauge**  
(standards.iteh.ai)

**Table 2 — Dimensions, manufacturing tolerances and wear limits for ring gauges and plug gauges**

ISO 3547-6:2007

Dimensions in millimetres

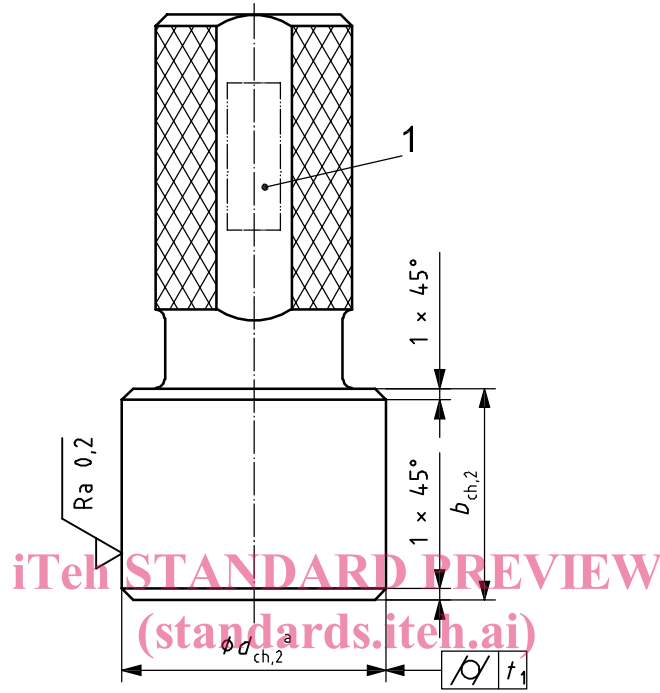
$D_o^a$ nominal		Target Size <sup>b</sup>	$d_{ch,1}$		$d_{ch,2}$		$t_1$	
			Manufacturing tolerance	Wear limit	Manufacturing tolerance	Wear limit	Manufacturing tolerance	Wear limit
	$\leq 10$	$D_o + 0,008$						
> 10	$\leq 18$	$D_o + 0,009$						
> 18	$\leq 30$	$D_o + 0,011$	+0,003	+0,005	0	-0,005	0,002	0,004
> 30	$\leq 50$	$D_o + 0,013$	0	0	-0,003	-0,005	0,002	0,004
> 50	$\leq 80$	$D_o + 0,015$						
> 80	$\leq 120$	$D_o + 0,018$						
> 120	$\leq 180$	$D_o + 0,020$	+0,005	+0,007	0	-0,005	0,003	0,005

<sup>a</sup> For bushes with  $D_o > 180$  mm, agreement shall be reached between the supplier and user.  
<sup>b</sup> The target size of the ring gauge inside diameter is made up of  $D_o$  and the rounded average value of the tolerance class H7. In ISO 3547-1, H7 is recommended as the tolerance class for the housing bore.

5.2 Plug gauge

Unless otherwise agreed between supplier and user, the following dimensions are valid for the plug gauge (see Figures 2 and 3 and Table 2).

The nominal plug gauge diameter can be obtained from Table 4 in ISO 3547-1:2006.



ISO 3547-6:2007

<https://standards.iteh.ai/catalog/standards/sist/f05e8535-67d9-48cd-9539-76f5b66d8250/iso-3547-6-2007>

Key

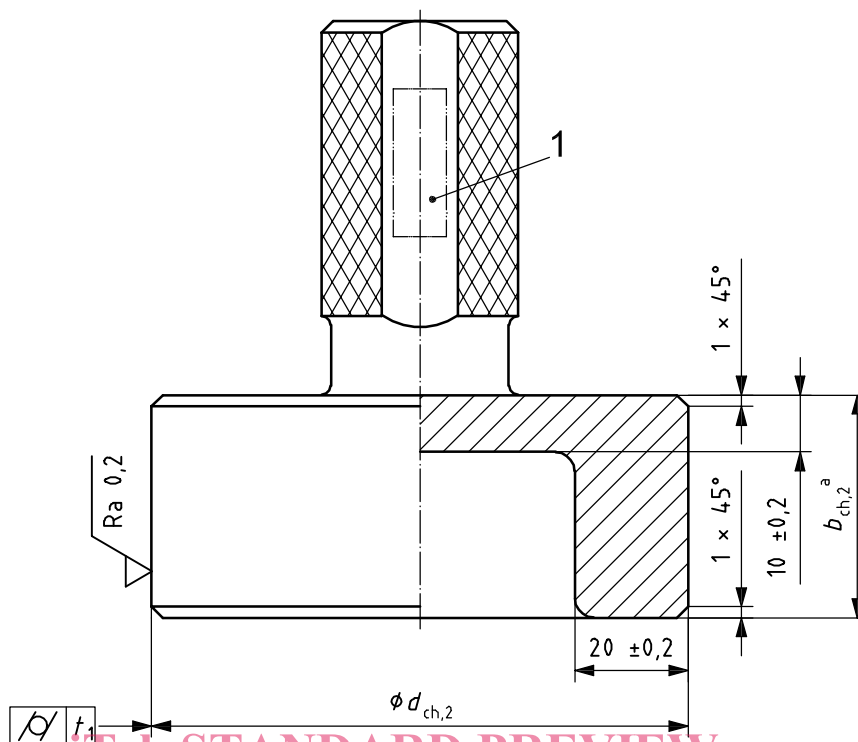
1 field for marking

<sup>a</sup>  $b_{ch,2} \geq B + 5$

Figure 2 — Plug gauge, solid, for  $d_{ch,2} \leq 80$  mm



Dimensions in millimetres, unless otherwise designated



**Key**

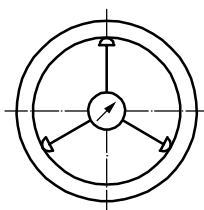
1 field for marking

<sup>a</sup>  $b_{ch,2} \geq B + 5$

ISO 3547-6:2007  
<https://standards.iteh.ai/catalog/standards/sist/f05e8535-67d9-48cd-9539-76f5b66d8250/iso-3547-6-2007>  
**Figure 3 — Plug gauge, example with blind hole, for  $d_{ch,2} > 80$  mm**

**5.3 Three-point measuring instrument**

Measures are made in the radial direction using the spherical faces of the measuring pins shown in Figure 4.



**Figure 4 — Three-point measuring instrument**