



SLOVENSKI STANDARD

SIST EN 3155-071:2015

01-marec-2015

Nadomešča:

SIST EN 3155-071:2008

**Aeronavtika - Električni kontakti za uporabo v veznih elementih - 071. del:
Kontakti, električni, ženski, tip A, nagubani, razred S - Standard za proizvod**

Aerospace series - Electrical contacts used in elements of connection - Part 071:
Contacts, electrical, female, type A, crimp, class S - Product standard

Luft- und Raumfahrt - Elektrische Kontakte zur Verwendung in Verbindungselementen -
Teil 071: Elektrische Buchsenkontakte, Typ A, crimpbar, Klasse S - Produktnorm

Série aérospatiale - Contacts électriques utilisés dans les organes de connexion - Partie
071 : Contacts électriques, femelles, type A, à sertir, classe S - Norme de produit

Ta slovenski standard je istoveten z: EN 3155-071:2014

ICS:

49.060	Letalska in vesoljska električna oprema in sistemi	Aerospace electric equipment and systems
--------	---	---

SIST EN 3155-071:2015

en,fr,de

iTeh STANDARD PREVIEW
(standards.iteh.ai)

SIST EN 3155-071:2015

<https://standards.iteh.ai/catalog/standards/sist/d34f4b64-8450-419f-b40c-e71ff2d82805/sist-en-3155-071-2015>

EUROPEAN STANDARD

EN 3155-071

NORME EUROPÉENNE

EUROPÄISCHE NORM

November 2014

ICS 49.060

Supersedes EN 3155-071:2007

English Version

Aerospace series - Electrical contacts used in elements of
connection - Part 071: Contacts, electrical, female, type A, crimp,
class S - Product standard

Série aéronautique - Contacts électriques utilisés dans les
organes de connexion - Partie 071: Contacts électriques,
femelles, type A, à sertir, classe S - Norme de produit

Luft- und Raumfahrt - Elektrische Kontakte zur Verwendung
in Verbindungselementen - Teil 071: Elektrische
Buchsenkontakte, Typ A, crimpbar, Klasse S - Produktnorm

This European Standard was approved by CEN on 14 June 2014.

CEN members are bound to comply with the CEN/CENELEC Internal Regulations which stipulate the conditions for giving this European Standard the status of a national standard without any alteration. Up-to-date lists and bibliographical references concerning such national standards may be obtained on application to the CEN-CENELEC Management Centre or to any CEN member.

This European Standard exists in three official versions (English, French, German). A version in any other language made by translation under the responsibility of a CEN member into its own language and notified to the CEN-CENELEC Management Centre has the same status as the official versions.

CEN members are the national standards bodies of Austria, Belgium, Bulgaria, Croatia, Cyprus, Czech Republic, Denmark, Estonia, Finland, Former Yugoslav Republic of Macedonia, France, Germany, Greece, Hungary, Iceland, Ireland, Italy, Latvia, Lithuania, Luxembourg, Malta, Netherlands, Norway, Poland, Portugal, Romania, Slovakia, Slovenia, Spain, Sweden, Switzerland, Turkey and United Kingdom.



EUROPEAN COMMITTEE FOR STANDARDIZATION
COMITÉ EUROPÉEN DE NORMALISATION
EUROPÄISCHES KOMITEE FÜR NORMUNG

CEN-CENELEC Management Centre: Avenue Marnix 17, B-1000 Brussels

Contents	Page
Foreword.....	3
Introduction	4
1 Scope	5
2 Normative references	5
3 Terms and definitions	6
4 Required characteristics	6
4.1 Specific characteristics.....	6
4.2 Dimensions and mass.....	6
4.3 Marking by colour code	8
4.4 Material, surface treatment.....	8
4.5 Permissible cables	9
4.6 Tooling.....	9
4.7 Cable stripping.....	10
4.8 Tests.....	10
4.9 Gauges.....	12
5 Designation	12
6 Marking	12
7 Technical specification	12

iTech STANDARD PREVIEW
(standards.itech.ai)

<https://standards.itech.ai/catalog/standards/sist/d34f4b64-8450-419f-b40c-e71ff2d82805/sist-en-3155-071-2015>

Foreword

This document (EN 3155-071:2014) has been prepared by the Aerospace and Defence Industries Association of Europe - Standardization (ASD-STAN).

After enquiries and votes carried out in accordance with the rules of this Association, this Standard has received the approval of the National Associations and the Official Services of the member countries of ASD, prior to its presentation to CEN.

This European Standard shall be given the status of a national standard, either by publication of an identical text or by endorsement, at the latest by May 2015, and conflicting national standards shall be withdrawn at the latest by May 2015.

Attention is drawn to the possibility that some of the elements of this document may be the subject of patent rights. CEN [and/or CENELEC] shall not be held responsible for identifying any or all such patent rights.

This document supersedes EN 3155-071:2007.

According to the CEN-CENELEC Internal Regulations, the national standards organizations of the following countries are bound to implement this European Standard: Austria, Belgium, Bulgaria, Croatia, Cyprus, Czech Republic, Denmark, Estonia, Finland, Former Yugoslav Republic of Macedonia, France, Germany, Greece, Hungary, Iceland, Ireland, Italy, Latvia, Lithuania, Luxembourg, Malta, Netherlands, Norway, Poland, Portugal, Romania, Slovakia, Slovenia, Spain, Sweden, Switzerland, Turkey and the United Kingdom.

[SIST EN 3155-071:2015](https://standards.iteh.ai/catalog/standards/sist/d34f4b64-8450-419f-b40c-e71ff2d82805/sist-en-3155-071-2015)

<https://standards.iteh.ai/catalog/standards/sist/d34f4b64-8450-419f-b40c-e71ff2d82805/sist-en-3155-071-2015>

EN 3155-071:2014 (E)

Introduction

The contacts defined by this standard are derived from those of SAE-AS39029/57 and, intermateable with those of SAE-AS39029/58.

iTeh STANDARD PREVIEW (standards.iteh.ai)

[SIST EN 3155-071:2015](https://standards.iteh.ai/catalog/standards/sist/d34f4b64-8450-419f-b40c-e71ff2d82805/sist-en-3155-071-2015)

<https://standards.iteh.ai/catalog/standards/sist/d34f4b64-8450-419f-b40c-e71ff2d82805/sist-en-3155-071-2015>

1 Scope

This European Standard specifies the required characteristics, tests and tooling applicable to female electrical contacts 071, type A, crimp, class S used in elements of connection according to EN 3155-002.

It shall be used together with EN 3155-001.

The associated male contacts are defined in EN 3155-008 and EN 3155-070.

2 Normative references

The following documents, in whole or in part, are normatively referenced in this document and are indispensable for its application. For dated references, only the edition cited applies. For undated references, the latest edition of the referenced document (including any amendments) applies.

EN 2083, *Aerospace series — Copper and copper alloy conductors for electrical cables — Product standard*

EN 2242, *Aerospace series — Crimping of electric cables with conductors defined by EN 2083, EN 4434 and EN 2346*

EN 2591 ¹⁾, *Aerospace series — Elements of electrical and optical connection — Test methods*

EN 3155-001, *Aerospace series — Electrical contacts used in elements of connection — Part 001: Technical specification*

EN 3155-002, *Aerospace series — Electrical contacts used in elements of connection — Part 002: List and utilization of contacts*

EN 3155-008, *Aerospace series — Electrical contacts used in elements of connection — Part 008: Contacts, electrical, male, type A, crimp, class S — Product standard*

<https://standards.iteh.ai/catalog/standards/sist/d344b64-8450-419f-b40c-3155-008>

EN 3155-070, *Aerospace series — Electrical contacts used in elements of connection — Part 070: Contacts, electrical, male, type A, crimp, class S — Product standard*

EN 4434, *Aerospace series — Copper or copper alloy lightweight conductors for electrical cables — Product standard (Normal and tight tolerances)*

ISO 8843, *Aircraft — Crimp-removable contacts for electrical connectors — Identification system*

SAE-AS22520, *Crimping tools, wire termination, general specification for* ²⁾

1) All parts quoted in Table 7.

2) Published by: SAE National (US) Society of Automotive Engineers <http://www.sae.org/>

EN 3155-071:2014 (E)

SAE-AS39029, *Contacts, electrical connector, general specification for* ²⁾

SAE-AS39029/57, *Contacts, electrical connector, socket, crimp removable (for MIL-C-24308, MIL-DTL-38999 series II, MIL-C-55302/68, /71, /72, /75 and MIL-C-83733 connectors)* ²⁾

SAE-AS39029/58, *Contacts, electrical connector, pin, crimp removable (for MIL-C-24308, MIL-DTL-38999 series I, II, III, and IV and MIL-C-55302/69 and MIL-C-83733 connectors)* ²⁾

SAE-AS81969, *Installing and removal tools, connector electrical contact, general specification for* ²⁾

3 Terms and definitions

For the purposes of this standard, the terms and definitions given in EN 3155-001 apply.

4 Required characteristics**4.1 Specific characteristics**

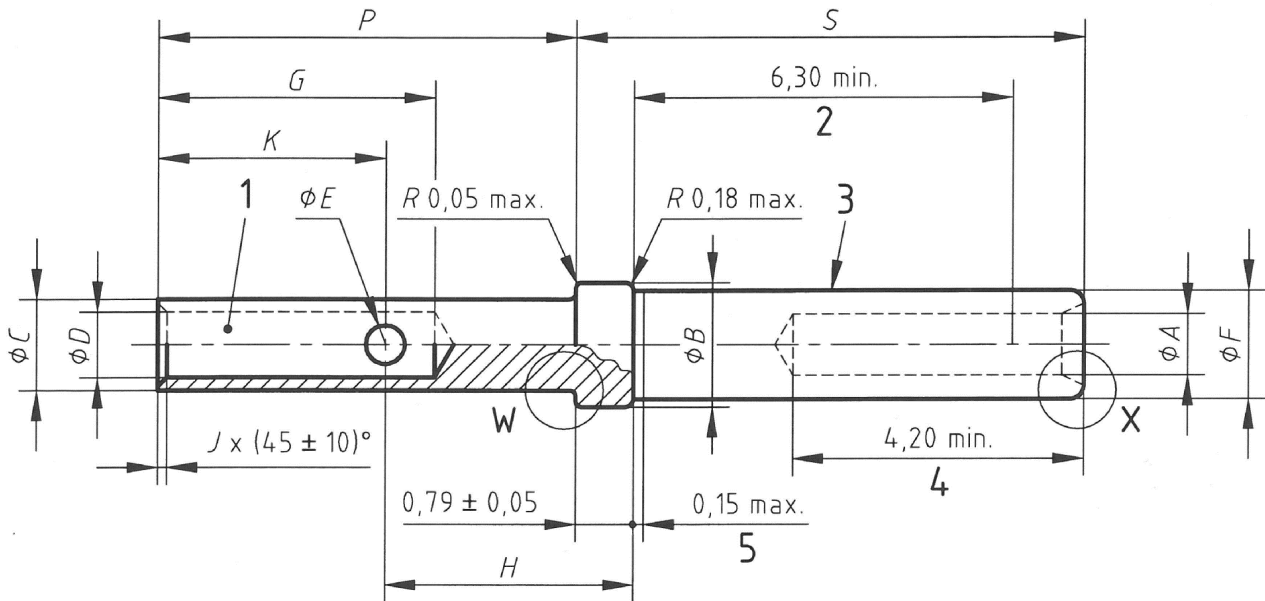
Type A contacts are for general application and class S corresponds to an operating temperature range from – 65 °C to 200 °C.

4.2 Dimensions and mass

See Figure 1 to Figure 4, and Table 1.

Dimensions and tolerances are given in millimetres and apply after surface treatment.

iteh STANDARD PREVIEW
(standards.iteh.ai)
[SIST EN 3155-071:2015](https://standards.iteh.ai/catalog/standards/sist/d34f4b64-8450-419f-b40c-e71ff2d82805/sist-en-3155-071-2015)
<https://standards.iteh.ai/catalog/standards/sist/d34f4b64-8450-419f-b40c-e71ff2d82805/sist-en-3155-071-2015>



Key

- 1 Colour bands, see Table 2.
- 2 Point at which a square ended gauge pin of the same diameter as the mating contact first engages the female contact spring member.
- 3 Manufacturer identification
- 4 This dimension represents both the length of the bore $\varnothing 4$ which includes the active zone of protection (see EN 3155-001).
- 5 Clearance between sleeve and body of the contact.



Figure 1 — Connector contact

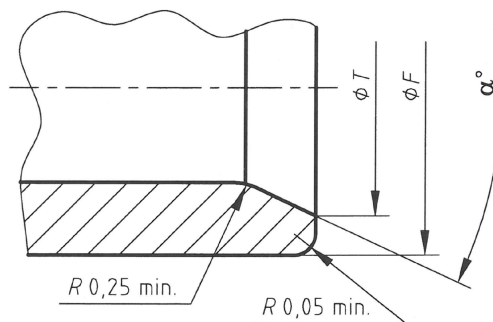


Figure 2 — Detail X