

SLOVENSKI STANDARD
SIST EN 2997-007:2016**01-november-2016****Nadomešča:****SIST EN 2997-007:2009**

Aeronavtika - Konektorji, električni, okrogli, priključeni z navojnim obročkom, odporni ali neodporni proti ognju, s stalno delovno temperaturo med -65 °C in 175 °C, stalno 200 °C, najvišjo 260 °C - 007. del: Neprepustna podlaga z okroglo, varjeno ali spajkano prirobnico - Standard za proizvod

Aerospace series - Connectors, electrical, circular, coupled by threaded ring, fire-resistant or non fire-resistant, operating temperatures - 65 °C to 175 °C continuous, 200 °C continuous, 260 °C peak - Part 007: Hermetic receptacle with round flange attached by welding or brazing - Product standard

Luft- und Raumfahrt - Elektrische Rundsteckverbinder mit Schraubkupplung, feuerbeständig oder nicht feuerbeständig, Betriebstemperaturen -65 °C bis 175 °C konstant, 200 °C konstant, 260 °C Spitze - Teil 007: Hermetischer fester Steckverbinder mit rundem Schweiß- oder Lötflansch - Produktnorm

Série aérospatiale - Connecteurs électriques circulaires à accouplement par bague filetée, résistant au feu ou non, températures d'utilisation - 65 °C à 175 °C continu, 200 °C continu, 260 °C en pointe - Partie 007 : Embase hermétique à collerette ronde fixée par soudure ou brasure - Norme de produit

Ta slovenski standard je istoveten z: EN 2997-007:2016

ICS:

31.220.10	Vtiči in vtičnice, konektorji	Plug-and-socket devices. Connectors
49.060	Letalska in vesoljska električna oprema in sistemi	Aerospace electric equipment and systems

SIST EN 2997-007:2016**en,fr,de**

iTeh STANDARD PREVIEW
(standards.iteh.ai)

SIST EN 2997-007:2016

<https://standards.iteh.ai/catalog/standards/sist/38f142b3-3207-4008-a804-a39ed8af33ee/sist-en-2997-007-2016>

EUROPEAN STANDARD

EN 2997-007

NORME EUROPÉENNE

EUROPÄISCHE NORM

September 2016

ICS 49.060

Supersedes EN 2997-007:2006

English Version

**Aerospace series - Connectors, electrical, circular, coupled
by threaded ring, fire-resistant or non fire-resistant,
operating temperatures - 65 °C to 175 °C continuous, 200
°C continuous, 260 °C peak - Part 007: Hermetic receptacle
with round flange attached by welding or brazing -
Product standard**

Série aérospatiale - Connecteurs électriques circulaires
à accouplement par bague filetée, résistant au feu ou
non, températures d'utilisation - 65 °C à 175 °C
continu, 200 °C continu, 260 °C en pointe - Partie 007 :
Embase hermétique à collerette ronde fixée par
soudure ou brasure - Norme de produit

Luft- und Raumfahrt - Elektrische Rundsteckverbinder
mit Schraubkupplung, feuerbeständig oder nicht
feuerbeständig, Betriebstemperaturen -65 °C bis 175
°C konstant, 200 °C konstant, 260 °C Spitze - Teil 007:
Hermetischer fester Steckverbinder mit rundem
Schweiß- oder Lötflansch - Produktnorm

This European Standard was approved by CEN on 4 April 2016.

CEN members are bound to comply with the CEN/CENELEC Internal Regulations which stipulate the conditions for giving this European Standard the status of a national standard without any alteration. Up-to-date lists and bibliographical references concerning such national standards may be obtained on application to the CEN-CENELEC Management Centre or to any CEN member.

This European Standard exists in three official versions (English, French, German). A version in any other language made by translation under the responsibility of a CEN member into its own language and notified to the CEN-CENELEC Management Centre has the same status as the official versions.

CEN members are the national standards bodies of Austria, Belgium, Bulgaria, Croatia, Cyprus, Czech Republic, Denmark, Estonia, Finland, Former Yugoslav Republic of Macedonia, France, Germany, Greece, Hungary, Iceland, Ireland, Italy, Latvia, Lithuania, Luxembourg, Malta, Netherlands, Norway, Poland, Portugal, Romania, Slovakia, Slovenia, Spain, Sweden, Switzerland, Turkey and United Kingdom.



EUROPEAN COMMITTEE FOR STANDARDIZATION
COMITÉ EUROPÉEN DE NORMALISATION
EUROPÄISCHES KOMITEE FÜR NORMUNG

CEN-CENELEC Management Centre: Avenue Marnix 17, B-1000 Brussels

Contents		Page
European foreword		3
1	Scope	3
2	Normative references	4
3	Terms and definitions	4
4	Required characteristics	4
5	Designation	8
6	Marking	8
7	Technical specification	8

iTeh STANDARD PREVIEW
(standards.iteh.ai)

[SIST EN 2997-007:2016](https://standards.iteh.ai/catalog/standards/sist/38f142b3-3207-4008-a804-a39ed8af33ee/sist-en-2997-007-2016)

<https://standards.iteh.ai/catalog/standards/sist/38f142b3-3207-4008-a804-a39ed8af33ee/sist-en-2997-007-2016>

European foreword

This document (EN 2997-007:2016) has been prepared by the Aerospace and Defence Industries Association of Europe - Standardization (ASD-STAN).

After enquiries and votes carried out in accordance with the rules of this Association, this Standard has received the approval of the National Associations and the Official Services of the member countries of ASD, prior to its presentation to CEN.

This European Standard shall be given the status of a national standard, either by publication of an identical text or by endorsement, at the latest by March 2017, and conflicting national standards shall be withdrawn at the latest by March 2017.

Attention is drawn to the possibility that some of the elements of this document may be the subject of patent rights. CEN [and/or CENELEC] shall not be held responsible for identifying any or all such patent rights.

This document supersedes EN 2997-007:2006.

According to the CEN-CENELEC Internal Regulations, the national standards organizations of the following countries are bound to implement this European Standard: Austria, Belgium, Bulgaria, Croatia, Cyprus, Czech Republic, Denmark, Estonia, Finland, Former Yugoslav Republic of Macedonia, France, Germany, Greece, Hungary, Iceland, Ireland, Italy, Latvia, Lithuania, Luxembourg, Malta, Netherlands, Norway, Poland, Portugal, Romania, Slovakia, Slovenia, Spain, Sweden, Switzerland, Turkey and the United Kingdom.

EN 2997-007:2016 (E)**1 Scope**

This European Standard specifies the characteristics of hermetic receptacles with round flange attached by welding or brazing in the family of circular electrical connectors coupled by threaded ring.

It applies to the class defined in Table 3.

For plugs and protective covers, see EN 2997-008 and EN 2997-009 respectively.

2 Normative references

The following documents, in whole or in part, are normatively referenced in this document and are indispensable for its application. For dated references, only the edition cited applies. For undated references, the latest edition of the referenced document (including any amendments) applies.

EN 2997-001, *Aerospace series — Connectors, electrical, circular, coupled by threaded ring, fire-resistant or non fire-resistant, operating temperatures - 65 °C to 175 °C continuous, 200 °C continuous, 260 °C peak — Part 001: Technical specification*

EN 2997-002, *Aerospace series — Connectors, electrical, circular, coupled by threaded ring, fire-resistant or non fire-resistant, operating temperatures - 65 °C to 175 °C continuous, 200 °C continuous, 260 °C peak — Part 002: Specification of performance and contact arrangements*

EN 2997-008, *Aerospace series — Connectors, electrical, circular, coupled by threaded ring, fire-resistant or non fire-resistant, operating temperatures - 65 °C to 175 °C continuous, 200 °C continuous, 260 °C peak — Part 008: Plug — Product standard* [SIST EN 2997-007:2016](https://standards.iteh.ai/catalog/standards/sist/38f142b3-3207-4008-a804-a70e48e737e4/standard/en-2997-007-2016)

EN 2997-009, *Aerospace series — Connectors, electrical, circular, coupled by threaded ring, fire-resistant or non fire-resistant, operating temperatures - 65 °C to 175 °C continuous, 200 °C continuous, 260 °C peak — Part 009: Protective cover for receptacle — Product standard*

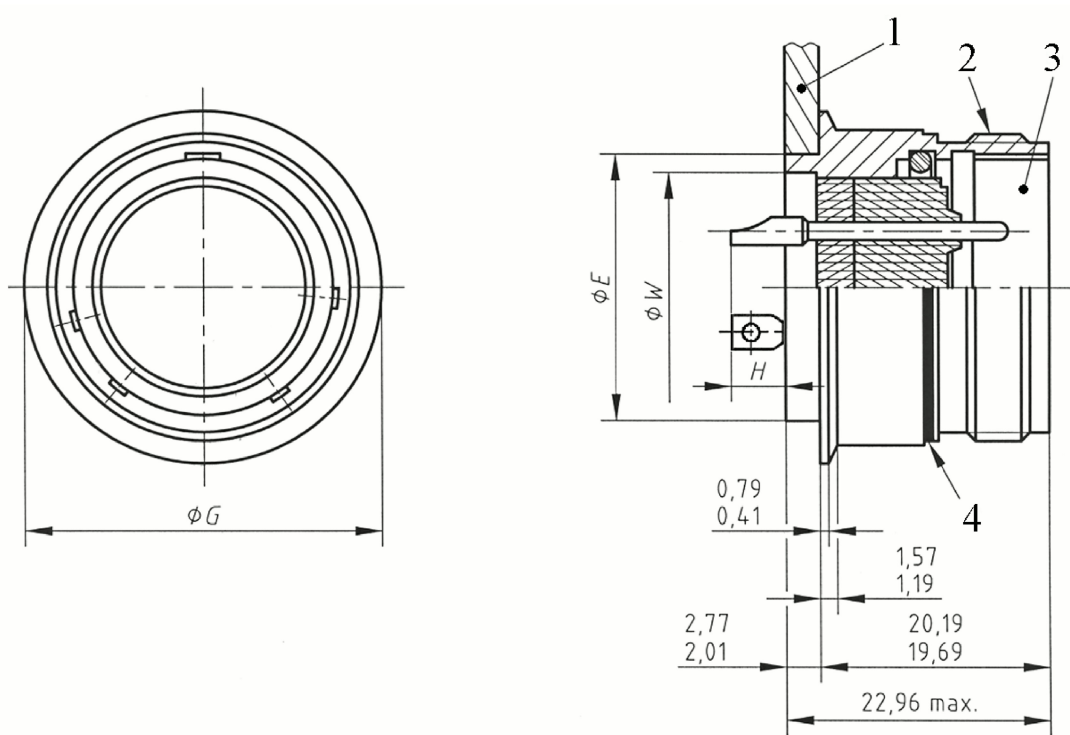
3 Terms and definitions

For the purposes of this standard, the terms and definitions given in EN 2997-001 apply.

4 Required characteristics**4.1 Dimensions and mass**

See Figure 1 and Table 1.

Dimensions are in millimetres; they apply after surface treatment.

**Key**

- 1 Panel
- 2 Thread
- 3 See EN 2997-001.
- 4 Blue colour band minimum width 0,64

iTeh STANDARD PREVIEW
(standards.iteh.ai)

[SIST EN 2997-007:2016](https://standards.iteh.ai/catalog/standards/sist/38f142b3-3207-4008-a804-a59cd8af3ee/sist-en-2997-007-2016)

<https://standards.iteh.ai/catalog/standards/sist/38f142b3-3207-4008-a804-a59cd8af3ee/sist-en-2997-007-2016>

Figure 1

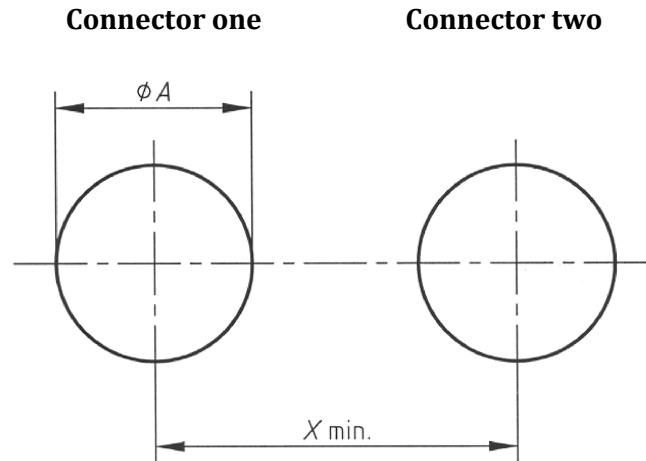
Table 1

Housing size	$\varnothing E$	$\varnothing G$	H		$\varnothing W$ min.	Mass g max.
			Size contact 20	Size contacts 16 and 12		
08	12,70 12,55	18,36 17,86	4,93 3,40	5,69 4,17	10,16	15
10	14,27 14,12	21,59 21,08			10,44	21
12	19,05 18,90	26,80 26,29			14,76	31
14	20,62 20,47	27,94 27,43			16,51	35
16	23,80 23,65	30,99 30,48			19,74	46
18	26,97 26,82	34,39 33,78			21,95	51
20	30,15 30,00	37,34 36,83			26,26	59
22	33,32 33,17	40,64 40,13			28,78	73
24	36,50 36,35	43,68 43,17			32,61	86
28	42,82 42,67	50,21 49,70			38,81	125

4.2 Panel cut-out

See Figure 2 and Table 2.

Dimensions are in millimetres.



$X \text{ min.}$ value is calculated as follows: $D/2$ connector one + $D/2$ connector two. (See Table 2 for value D)

iTeh STANDARD PREVIEW Figure 2 (standards.iteh.ai)

Table 2

Housing size	ϕA min.	D min.
08	12,96	31,70
10	14,53	34,90
12	19,30	39,60
14	20,88	41,25
16	24,05	44,45
18	27,23	47,35
20	30,40	51,90
22	33,58	54,10
24	36,75	57,25
28	43,08	65,25

4.3 Material, surface treatment

See Table 3.

4.4 Main general characteristics

See EN 2997-002.