



# SLOVENSKI STANDARD

## SIST EN 3155-083:2016

01-januar-2016

Nadomešča:

SIST EN 3155-066:2014

---

**Aeronavtika - Električni kontakti za uporabo v veznih elementih - 083. del:  
Kontakti, električni, ženski, tip A, nagubani, razred S, velikost 8 - Standard za  
proizvod**

Aerospace series - Electrical contacts used in elements of connection - Part 083:  
Contact, electrical, female, type A, crimp, class S, size 8 - Product standard

**iTeh STANDARD PREVIEW**

Luft- und Raumfahrt - Elektrische Kontakte zur Verwendung in Verbindungselementen -  
Teil 083: Elektrische Buchsenkontakte, Typ A, crimpbar, Klasse S, Größe 8 -  
Produktnorm

[SIST EN 3155-083:2016](https://standards.iteh.ai/catalog/standards/sist/52578ded-2efb-4d36-8f7e-1b37012094ed/standards/sist/3155-083-2016)

[https://standards.iteh.ai/catalog/standards/sist/52578ded-2efb-4d36-8f7e-](https://standards.iteh.ai/catalog/standards/sist/52578ded-2efb-4d36-8f7e-1b37012094ed/standards/sist/3155-083-2016)

Série aérospatiale - Contacts électriques utilisés dans les organes de connexion - Partie  
083: Contacts électriques, femelles, type A, à sertir, classe S, taille 8 - Norme de produit

**Ta slovenski standard je istoveten z: EN 3155-083:2015**

---

**ICS:**

49.060

Letalska in vesoljska  
električna oprema in sistemi

Aerospace electric  
equipment and systems

**SIST EN 3155-083:2016**

**en,fr,de**

**iTeh STANDARD PREVIEW**  
**(standards.iteh.ai)**

[SIST EN 3155-083:2016](#)

<https://standards.iteh.ai/catalog/standards/sist/52578ded-2efb-4d36-8f7e-b370d3094cdb/sist-en-3155-083-2016>

EUROPEAN STANDARD

**EN 3155-083**

NORME EUROPÉENNE

EUROPÄISCHE NORM

October 2015

ICS 49.060

Supersedes EN 3155-066:2013

English Version

## Aerospace series - Electrical contacts used in elements of connection - Part 083: Contact, electrical, female, type A, crimp, class S, size 8 - Product standard

Série aérospatiale - Contacts électriques utilisés dans les organes de connexion - Partie 083: Contacts électriques, femelles, type A, à sertir, classe S, taille 8 - Norme de produit

Luft- und Raumfahrt - Elektrische Kontakte zur Verwendung in Verbindungselementen - Teil 083: Elektrische Buchsenkontakte, Typ A, crimpbar, Klasse S, Größe 8 - Produktnorm

This European Standard was approved by CEN on 8 June 2015.

CEN members are bound to comply with the CEN/CENELEC Internal Regulations which stipulate the conditions for giving this European Standard the status of a national standard without any alteration. Up-to-date lists and bibliographical references concerning such national standards may be obtained on application to the CEN-CENELEC Management Centre or to any CEN member.

This European Standard exists in three official versions (English, French, German). A version in any other language made by translation under the responsibility of a CEN member into its own language and notified to the CEN-CENELEC Management Centre has the same status as the official versions.

CEN members are the national standards bodies of Austria, Belgium, Bulgaria, Croatia, Cyprus, Czech Republic, Denmark, Estonia, Finland, Former Yugoslav Republic of Macedonia, France, Germany, Greece, Hungary, Iceland, Ireland, Italy, Latvia, Lithuania, Luxembourg, Malta, Netherlands, Norway, Poland, Portugal, Romania, Slovakia, Slovenia, Spain, Sweden, Switzerland, Turkey and United Kingdom.



EUROPEAN COMMITTEE FOR STANDARDIZATION  
COMITÉ EUROPÉEN DE NORMALISATION  
EUROPÄISCHES KOMITEE FÜR NORMUNG

**CEN-CENELEC Management Centre: Avenue Marnix 17, B-1000 Brussels**

<b>Contents</b>		Page
<b>European foreword</b> .....		<b>3</b>
<b>Introduction</b> .....		<b>4</b>
<b>1</b>	<b>Scope</b> .....	<b>4</b>
<b>2</b>	<b>Normative references</b> .....	<b>4</b>
<b>3</b>	<b>Terms and definitions</b> .....	<b>5</b>
<b>4</b>	<b>Required characteristics</b> .....	<b>5</b>
<b>5</b>	<b>Designation</b> .....	<b>11</b>
<b>6</b>	<b>Marking</b> .....	<b>11</b>
<b>7</b>	<b>Technical specification</b> .....	<b>11</b>

**iTeh STANDARD PREVIEW**  
**(standards.iteh.ai)**

[SIST EN 3155-083:2016](https://standards.iteh.ai/catalog/standards/sist/52578ded-2efb-4d36-8f7e-b370d3094cdb/sist-en-3155-083-2016)

<https://standards.iteh.ai/catalog/standards/sist/52578ded-2efb-4d36-8f7e-b370d3094cdb/sist-en-3155-083-2016>

## European foreword

This document (EN 3155-083:2015) has been prepared by the Aerospace and Defence Industries Association of Europe - Standardization (ASD-STAN).

After enquiries and votes carried out in accordance with the rules of this Association, this Standard has received the approval of the National Associations and the Official Services of the member countries of ASD, prior to its presentation to CEN.

This European Standard shall be given the status of a national standard, either by publication of an identical text or by endorsement, at the latest by April 2016, and conflicting national standards shall be withdrawn at the latest by April 2016.

Attention is drawn to the possibility that some of the elements of this document may be the subject of patent rights. CEN [and/or CENELEC] shall not be held responsible for identifying any or all such patent rights.

This document supersedes EN 3155-066:2013.

According to the CEN-CENELEC Internal Regulations, the national standards organizations of the following countries are bound to implement this European Standard: Austria, Belgium, Bulgaria, Croatia, Cyprus, Czech Republic, Denmark, Estonia, Finland, Former Yugoslav Republic of Macedonia, France, Germany, Greece, Hungary, Iceland, Ireland, Italy, Latvia, Lithuania, Luxembourg, Malta, Netherlands, Norway, Poland, Portugal, Romania, Slovakia, Slovenia, Spain, Sweden, Switzerland, Turkey and the United Kingdom.

**EN 3155-083:2015 (E)****Introduction**

This European Standard specifies the characteristics of female crimp contacts.

Furthermore, this standard replaces the former product standard EN 3155-066.

**1 Scope**

This European Standard specifies the required characteristics, tests and tooling applicable to female electrical contacts, type A, crimp, class S, size 8, used in elements of connection according to EN 3155-002.

It shall be used together with EN 3155-001.

The associated male contacts are defined in EN 3155-065.

The herein specified female contact shall be intermateable and compatible with the interface dimensions of the standard EN 3155-065.

**2 Normative references**

The following documents, in whole or in part, are normatively referenced in this document and are indispensable for its application. For dated references, only the edition cited applies. For undated references, the latest edition of the referenced document (including any amendments) applies.

EN 2083, *Aerospace series — Copper or copper alloy conductors for electrical cables — Product standard*

EN 2591 (all parts), *Aerospace series — Element of electrical and optical connection — Test methods*

EN 3155-001, *Aerospace series — Electrical contacts used in elements of connection — Part 001: Technical specification*

EN 3155-002, *Aerospace series — Electrical contacts used in elements of connection — Part 002: List and utilization of contacts*

EN 3155-065, *Aerospace series — Electrical contacts used in elements of connection — Part 065: Contacts, electrical, male, type A, crimp, class S, size 8 — Product standard*

EN 3645-001, *Aerospace series — Connectors, electrical, circular, scoop-proof, triple start threaded coupling, operating temperatures 175 °C or 200 °C continuous — Part 001: Technical specification*

EN 4165-001, *Aerospace series — Connectors, electrical, rectangular, modular — Operating temperature 175 °C continuous — Part 001: Technical specification*

ISO 8843, *Aircraft — Crimp-removable contacts for electrical connectors — Identification system*<sup>1)</sup>

SAE-AS22520, *Crimping tools, wire termination, general specification for*<sup>2)</sup>

SAE-AS22520/23, *Crimping tools, terminal, hand or power actuated, wire termination: pneumatic tool for wire barrel sizes 0000 through 8*<sup>2)</sup>

1) Published by: ISO International Organization for Standardization <http://www.iso.ch/>

SAE-AS81969, *Installing and removal tools, connector electrical contacts, type II, class 2, composition C* <sup>2)</sup>

SAE-AS81969/14, *Installing and removal tools, connector electrical contact, type III, class 2, composition B* <sup>2)</sup>

TR 4831, *Aerospace series — Applicable crimping tools for electrical contact product standards EN 3155-065 and EN 3155-083* <sup>3)</sup>

### 3 Terms and definitions

For the purposes of this document, the terms and definitions given in EN 3155-001 apply.

### 4 Required characteristics

#### 4.1 Specific characteristics

Type A contacts are for general application and class S corresponds to an operating temperature range from – 65 °C to 200 °C.

## iTeh STANDARD PREVIEW (standards.iteh.ai)

[SIST EN 3155-083:2016](https://standards.iteh.ai/catalog/standards/sist/52578ded-2efb-4d36-8f7e-b370d3094cdb/sist-en-3155-083-2016)

<https://standards.iteh.ai/catalog/standards/sist/52578ded-2efb-4d36-8f7e-b370d3094cdb/sist-en-3155-083-2016>

---

2) Published by: SAE National (US) Society of Automotive Engineers <http://www.sae.org/>

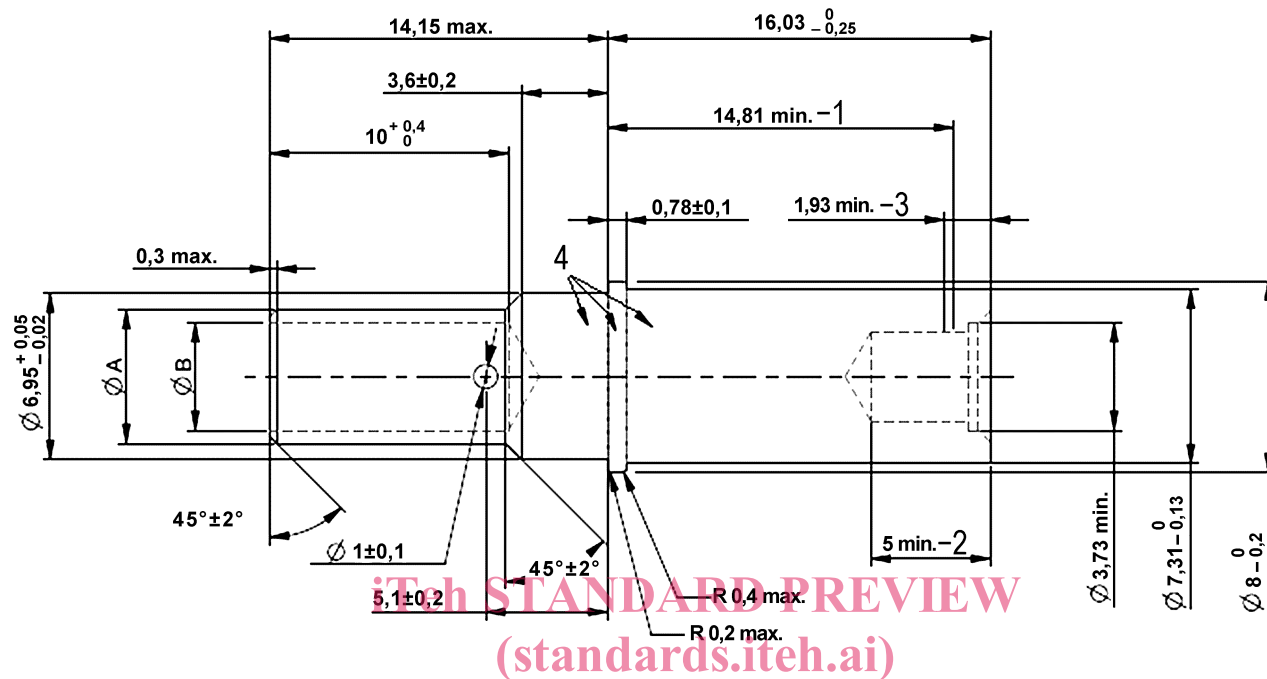
3) Published as ASD-STAN Technical Report at the date of publication of this standard. <http://www.asd-stan.org/>

## EN 3155-083:2015 (E)

## 4.2 Dimensions and mass

See Figure 1 and Table 1.

Dimensions and tolerances are given in millimetres and apply after surface treatment.



## Key

- 1 Point of which a square ended gauge pin of the same diameter as the mating contact first engages the female contact spring member.
- 2 This dimension represents the length which includes the active zone of protection (ref. EN 3155-001)
- 3 Active area protection
- 4 Manufacturer identification shall be made on diameter either on  $\emptyset 6,95$ ,  $\emptyset 7,31$  or  $\emptyset 8$ .

Figure 1

Table 1

Contact	Size	A	B	Mass g max.
	Barrel			
08	08	5,65	4,50	6,0
		5,75	4,60	
08	10	5,00	3,45	6,0
		5,10	3,55	

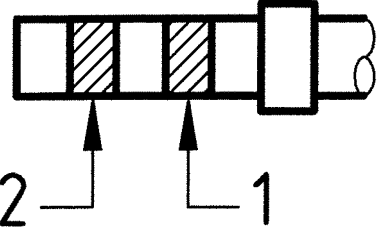


### 4.3 Marking by colour code

See Table 2.

Table 2

Size		Two bands according to ISO 8843	
<b>Contact</b>	<b>Barrel</b>	<b>Band 1</b>	<b>Band 2</b>
08	08	Red	Red
08	10	Red	White



### 4.4 Material, surface treatment

Body material: copper alloy.

Surface treatment: gold on appropriate undercoat.

### 4.5 Permissible cables

See Table 3.

Table 3

Size		Size of conductors			Rated test current A
Contact	Barrel	ASD code	Section mm <sup>2</sup>	AWG <sup>a</sup>	
08	08	090	8,98	8	46
08	10	051 or 050	5,00	10	33

<sup>a</sup> AWG = Closest American Wire Gauge.