

SLOVENSKI STANDARD

SIST EN 4165-015:2015

01-november-2015

Nadomešča:

SIST EN 4165-015:2008

Aeronavtika - Konektorji, električni, pravokotni, modularni - Stalna delovna temperatura 175 °C - 015. del: Okroglo ohišje (1 na modul), 2 in 4 moduli - Standard za proizvod

Aerospace series - Connectors, electrical, rectangular, modular - Operating temperature 175 °C continuous - Part 015: Round chimney for accessory (1 per module cavity), 2 and 4 modules - Product standard

ITEH STANDARD PREVIEW
(standards.iteh.ai)

Luft- und Raumfahrt - Elektrischer Rechtecksteckverbinder in moularer Bauweise - Betriebstemperatur 175 °C konstant - Teil 015: Hülse, rund, Endgehäuse (eine pro Modulkammer), 2 und 4 Module - Produktnorm

<https://standards.iteh.ai/catalog/standards/sist/20c306e9-4bf6-4c73-a7ae-71320c299a6d/sist-en-4165-015-2015>

Série aérospatiale - Connecteurs électriques rectangulaires modulaires - Température d'utilisation 175 °C continu - Partie 015 : Cheminées cylindriques pour accessoires (1 par cavité de module), 2 et modules - Norme de produit

Ta slovenski standard je istoveten z: EN 4165-015:2015

ICS:

49.060	Letalska in vesoljska električna oprema in sistemi	Aerospace electric equipment and systems
--------	--	--

SIST EN 4165-015:2015

en,fr,de

iTeh STANDARD PREVIEW
(standards.iteh.ai)

[SIST EN 4165-015:2015](#)

<https://standards.iteh.ai/catalog/standards/sist/20c306e9-4bf6-4c73-a7ae-71320c299a6d/sist-en-4165-015-2015>

EUROPEAN STANDARD

EN 4165-015

NORME EUROPÉENNE

EUROPÄISCHE NORM

September 2015

ICS 49.060

Supersedes EN 4165-015:2005

English Version

**Aerospace series - Connectors, electrical, rectangular,
modular - Operating temperature 175 °C continuous - Part
015: Round chimney for accessory (1 per module cavity), 2
and 4 modules - Product standard**

Série aérospatiale - Connecteurs électriques
rectangulaires modulaires - Température d'utilisation
175 °C continu - Partie 015 : Cheminées cylindriques
pour accessoires (1 par cavité de module), 2 et 4
modules - Norme de produit

Luft- und Raumfahrt - Elektrischer
Rechtecksteckverbinder in modularer Bauweise -
Betriebstemperatur 175 °C konstant - Teil 015: Hülse,
rund, für Endgehäuse (eine pro Modulkammer), 2 und
4 Module - Produktnorm

This European Standard was approved by CEN on 5 March 2015.

CEN members are bound to comply with the CEN/CENELEC Internal Regulations which stipulate the conditions for giving this European Standard the status of a national standard without any alteration. Up-to-date lists and bibliographical references concerning such national standards may be obtained on application to the CEN-CENELEC Management Centre or to any CEN member.

This European Standard exists in three official versions (English, French, German). A version in any other language made by translation under the responsibility of a CEN member into its own language and notified to the CEN-CENELEC Management Centre has the same status as the official versions.

CEN members are the national standards bodies of Austria, Belgium, Bulgaria, Croatia, Cyprus, Czech Republic, Denmark, Estonia, Finland, Former Yugoslav Republic of Macedonia, France, Germany, Greece, Hungary, Iceland, Ireland, Italy, Latvia, Lithuania, Luxembourg, Malta, Netherlands, Norway, Poland, Portugal, Romania, Slovakia, Slovenia, Spain, Sweden, Switzerland, Turkey and United Kingdom.



EUROPEAN COMMITTEE FOR STANDARDIZATION
COMITÉ EUROPÉEN DE NORMALISATION
EUROPÄISCHES KOMITEE FÜR NORMUNG

CEN-CENELEC Management Centre: Avenue Marnix 17, B-1000 Brussels

Contents

	Page
European foreword.....	3
1 Scope.....	4
2 Normative references.....	4
3 Terms and definitions	4
4 Required characteristics	4
5 Round chimney for accessories	5
6 Round chimney for accessory class	7
7 Designation.....	7
8 Marking.....	7
9 Technical specification.....	7

iTeh STANDARD PREVIEW (standards.iteh.ai)

[SIST EN 4165-015:2015](https://standards.iteh.ai/catalog/standards/sist/20c306e9-4bf6-4c73-a7ae-71320c299a6d/sist-en-4165-015-2015)

<https://standards.iteh.ai/catalog/standards/sist/20c306e9-4bf6-4c73-a7ae-71320c299a6d/sist-en-4165-015-2015>

European foreword

This document (EN 4165-015:2015) has been prepared by the Aerospace and Defence Industries Association of Europe - Standardization (ASD-STAN).

After enquiries and votes carried out in accordance with the rules of this Association, this European Standard has received the approval of the National Associations and the Official Services of the member countries of ASD, prior to its presentation to CEN.

This European Standard shall be given the status of a national standard, either by publication of an identical text or by endorsement, at the latest by March 2016, and conflicting national standards shall be withdrawn at the latest by March 2016.

This document supersedes EN 4165-015:2005.

Attention is drawn to the possibility that some of the elements of this document may be the subject of patent rights. CEN [and/or CENELEC] shall not be held responsible for identifying any or all such patent rights.

According to the CEN-CENELEC Internal Regulations, the national standards organizations of the following countries are bound to implement this European Standard: Austria, Belgium, Bulgaria, Croatia, Cyprus, Czech Republic, Denmark, Estonia, Finland, Former Yugoslav Republic of Macedonia, France, Germany, Greece, Hungary, Iceland, Ireland, Italy, Latvia, Lithuania, Luxembourg, Malta, Netherlands, Norway, Poland, Portugal, Romania, Slovakia, Slovenia, Spain, Sweden, Switzerland, Turkey and the United Kingdom.

[SIST EN 4165-015:2015
https://standards.iteh.ai/catalog/standards/sist/20c306e9-4bf6-4c73-a7ae-71320c299a6d/sist-en-4165-015-2015](https://standards.iteh.ai/catalog/standards/sist/20c306e9-4bf6-4c73-a7ae-71320c299a6d/sist-en-4165-015-2015)

EN 4165-015:2015 (E)**1 Scope**

This European Standard defines the round chimney for accessories (1 per module cavity) used in the family of rectangular electrical connectors, 2 and 4 modules.

The connector accessory body corresponding to those round chimneys is defined in EN 4165-014.

2 Normative references

The following documents, in whole or in part, are normatively referenced in this document and are indispensable for its application. For dated references, only the edition cited applies. For undated references, the latest edition of the referenced document (including any amendments) applies.

EN 4165-001, *Aerospace series — Connectors, electrical, rectangular, modular — Operating temperature 175 °C continuous — Part 001: Technical specification*

EN 4165-002, *Aerospace series — Connectors, electrical, rectangular, modular — Operating temperature 175 °C continuous — Part 002: Specification of performance and contact arrangements*

EN 4165-014, *Aerospace series — Connectors, electrical, rectangular, modular — Operating temperature 175 °C continuous — Part 014: Shielded accessory body, 2 and 4 modules for connectors, series 2 and series 3 — Product standard*

3 Terms and definitions

For the purposes of this document, the terms and definitions given in EN 4165-001 apply.

4 Required characteristics

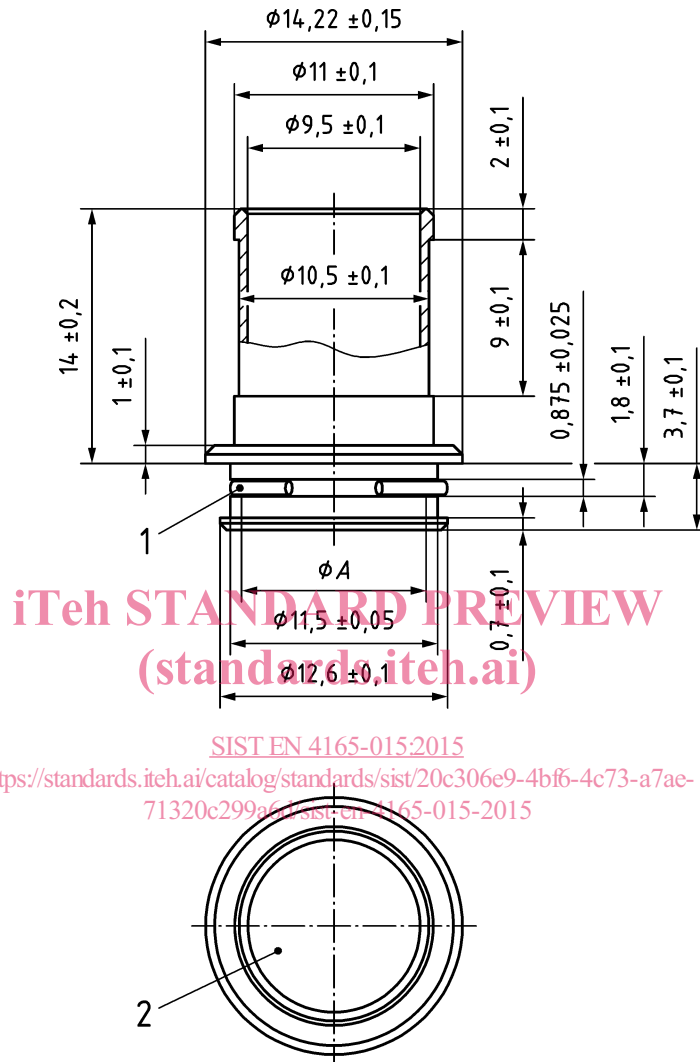
See Figure 1 and Figure 2. <https://standards.iteh.ai/catalog/standards/sist/20c306e9-4bf6-4c73-a7ae-71320c299a6d/sist-en-4165-015-2015>

iTeh STANDARD PREVIEW
(standards.iteh.ai)

5 Round chimney for accessories

Mass: 1,50 g max.

Dimensions in millimetres



$\varnothing A = 10,5 \text{ mm} \pm 0,05 \text{ mm}$. (groove for clip)

Key

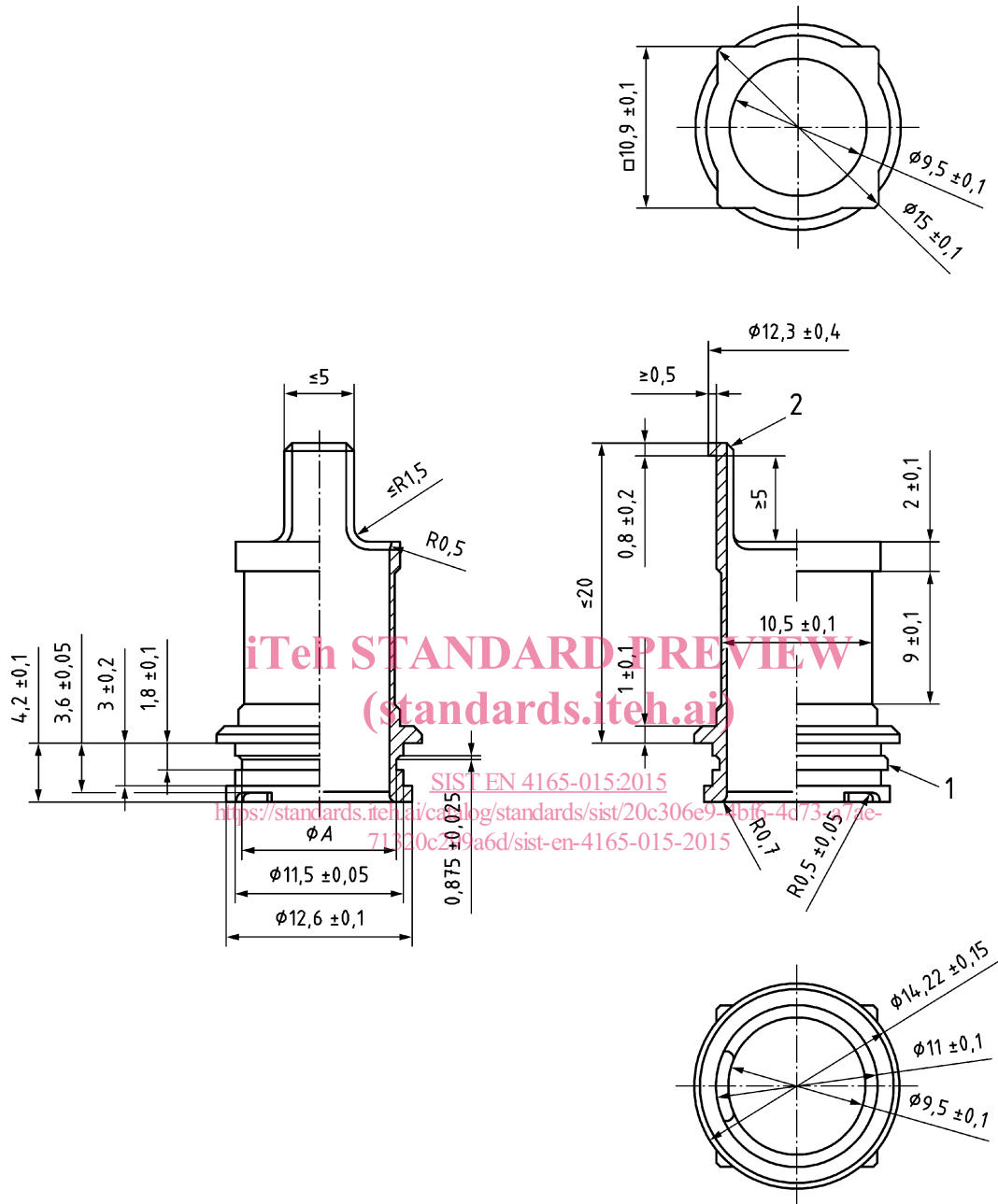
- 1 Hexagonal conductive clip, thread $\varnothing 0,6$
- 2 Inside section $69,4 \text{ mm}^2$ minimum

Figure 1 — Removable round chimney

EN 4165-015:2015 (E)

Mass: 1,70 g max.

Dimensions in millimetres



$\varnothing A = 10,5 \text{ mm} \pm 0,05 \text{ mm}$. (groove for clip)

Key

- 1 Hexagonal conductive clip, thread $\varnothing 0,6$
- 2 $R \times 0,5$ or chamfer

NOTE 1 Envelop schematic representation.

NOTE 2 Chimney shall be compatible with all shielded accessory body material classes and shell size types.

Figure 2 — Removable round chimney with cable tie support