



SLOVENSKI STANDARD
SIST EN 4695:2017

01-december-2017

Aeronavtika - Zglobna ročica z vgrajenim sornikom - Montažne kode G, H in K

Aerospace series - Tie Rod with integrated bolts - Assembly Code G, H and K

Luft- und Raumfahrt - Zug-Druck Stange mit integrierten Bolzen - Zusammenbaucode G, H und K

Série aérospatiale - Bielle avec axes intégrés - Code assemblage G, H et K

STANDARD PREVIEW
(standards.iteh.ai)

Ta slovenski standard je istoveten z: EN 4695:2017

<https://standards.iteh.ai/catalog/standards/sist/9350fbd8-6d7f-44f8-b715-8732b2a6eb81/sist-en-4695-2017>

ICS:

49.035

Sestavni deli za letalsko in
vesoljsko gradnjo

Components for aerospace
construction

SIST EN 4695:2017

en,fr,de

iTeh STANDARD PREVIEW
(standards.iteh.ai)

[SIST EN 4695:2017](#)

<https://standards.iteh.ai/catalog/standards/sist/9350fd8-6d7f-44f8-b715-8732b2a6eb81/sist-en-4695-2017>

EUROPEAN STANDARD

EN 4695

NORME EUROPÉENNE

EUROPÄISCHE NORM

October 2017

ICS 49.035

English Version

Aerospace series - Tie Rod with integrated bolts - Assembly Code G, H and K

Série aérospatiale - Bielle avec axes intégrés - Code
assemblage G, H et K

Luft- und Raumfahrt - Zug-Druck Stange mit
integrierten Bolzen - Variante G, H und K

This European Standard was approved by CEN on 25 June 2016.

CEN members are bound to comply with the CEN/CENELEC Internal Regulations which stipulate the conditions for giving this European Standard the status of a national standard without any alteration. Up-to-date lists and bibliographical references concerning such national standards may be obtained on application to the CEN-CENELEC Management Centre or to any CEN member.

This European Standard exists in three official versions (English, French, German). A version in any other language made by translation under the responsibility of a CEN member into its own language and notified to the CEN-CENELEC Management Centre has the same status as the official versions.

CEN members are the national standards bodies of Austria, Belgium, Bulgaria, Croatia, Cyprus, Czech Republic, Denmark, Estonia, Finland, Former Yugoslav Republic of Macedonia, France, Germany, Greece, Hungary, Iceland, Ireland, Italy, Latvia, Lithuania, Luxembourg, Malta, Netherlands, Norway, Poland, Portugal, Romania, Serbia, Slovakia, Slovenia, Spain, Sweden, Switzerland, Turkey and United Kingdom.

<https://standards.iteh.ai/catalog/standards/sist/9350fd8-6d7f-44f8-b715-8732b2a6eb81/sist-en-4695-2017>



EUROPEAN COMMITTEE FOR STANDARDIZATION
COMITÉ EUROPÉEN DE NORMALISATION
EUROPÄISCHES KOMITEE FÜR NORMUNG

CEN-CENELEC Management Centre: Avenue Marnix 17, B-1000 Brussels

Contents	Page
European foreword.....	3
Introduction	4
1 Scope.....	5
2 Normative references.....	5
3 Requirements.....	6
4 Assembly code definitions.....	6
5 Materials.....	8
6 Locking clips	8
7 Fork and eye ends.....	10
8 Mass calculation of tie rods	16
9 Marking.....	17
10 Dimensions.....	18
11 Designation.....	18
12 Technical specification.....	18
Annex A (informative) Standard evolution form.....	19

[SIST EN 4695:2017](https://standards.iteh.ai/catalog/standards/sist/9350fbd8-6d7f-44f8-b715-8732b2a6eb81/sist-en-4695-2017)

<https://standards.iteh.ai/catalog/standards/sist/9350fbd8-6d7f-44f8-b715-8732b2a6eb81/sist-en-4695-2017>

European foreword

This document (EN 4695:2017) has been prepared by the Aerospace and Defence Industries Association of Europe - Standardization (ASD-STAN).

After enquiries and votes carried out in accordance with the rules of this Association, this Standard has received the approval of the National Associations and the Official Services of the member countries of ASD, prior to its presentation to CEN.

This European Standard shall be given the status of a national standard, either by publication of an identical text or by endorsement, at the latest by April 2018, and conflicting national standards shall be withdrawn at the latest by April 2018.

Attention is drawn to the possibility that some of the elements of this document may be the subject of patent rights. CEN shall not be held responsible for identifying any or all such patent rights.

According to the CEN-CENELEC Internal Regulations, the national standards organizations of the following countries are bound to implement this European Standard: Austria, Belgium, Bulgaria, Croatia, Cyprus, Czech Republic, Denmark, Estonia, Finland, Former Yugoslav Republic of Macedonia, France, Germany, Greece, Hungary, Iceland, Ireland, Italy, Latvia, Lithuania, Luxembourg, Malta, Netherlands, Norway, Poland, Portugal, Romania, Serbia, Slovakia, Slovenia, Spain, Sweden, Switzerland, Turkey and the United Kingdom.

[SIST EN 4695:2017](https://standards.iteh.ai/catalog/standards/sist/9350fbd8-6d7f-44f8-b715-8732b2a6eb81/sist-en-4695-2017)

<https://standards.iteh.ai/catalog/standards/sist/9350fbd8-6d7f-44f8-b715-8732b2a6eb81/sist-en-4695-2017>

EN 4695:2017 (E)**Introduction**

Aerospace and Defence Standardization (ASD-STAN) draws attention to the fact that it is claimed that compliance with this document may involve the use of a patent.

USA: US 8371767

China: CN 10104431

Japan: JP 4885140

Russia: RU 2389914

South Africa: ZA 2007/03913

Canada: 2584387

South Korea: 7011559

ASD-STAN takes no position concerning the evidence, validity and scope of this patent right.

The holder of this patent right has assured ASD-STAN that he/she is willing to negotiate licences under reasonable and non-discriminatory terms and conditions with applicants throughout the world. In this respect, the statement of the holder of this patent right is registered with ASD-STAN. Information may be obtained from:

iTeh STANDARD PREVIEW
(standards.iteh.ai)
<https://standards.iteh.ai/catalog/standards/sist/9350fd8-6d7f-44f8-b715-8732b2a6eb81/sist-en-4695-2017>

GMT Gummi-Metall-Technik GmbH

[8732b2a6eb81/sist-en-4695-2017](https://standards.iteh.ai/catalog/standards/sist/9350fd8-6d7f-44f8-b715-8732b2a6eb81/sist-en-4695-2017)

Liechtersmatten 5

D-77815 Bühl

TRIGUM Engineering GmbH

Brunskamp 4

D-21220 Seevetal/Maschen

Attention is drawn to the possibility that some of the elements of this document may be the subject of patent rights other than those identified above. ASD-STAN shall not be held responsible for identifying any or all such patent rights.

1 Scope

This standard specifies the dimensions and tolerances of rod assemblies for aerospace applications with two adjustable ends with integrated bolts for interior and sub structure in the temperature range – 55 °C to 85 °C. The rod ends should not be screwed completely apart.

2 Normative references

The following documents, in whole or in part, are normatively referenced in this document and are indispensable for its application. For dated references, only the edition cited applies. For undated references, the latest edition of the referenced document (including any amendments) applies.

DIN 6799, *Retaining washers for shafts*¹⁾

DIN 65038-1, *Aerospace — Steel, nickel- and cobalt-alloy bars — Technical specification*¹⁾

EN 2424, *Aerospace series — Marking of aerospace products*

EN 3311, *Aerospace series — Titanium alloy TI-P64001 (Ti-6Al-4V) — Annealed — Bar for machining — D < 110 mm*

EN 4614, *Aerospace series — Spherical plain bearings in corrosion resisting steel with self-lubricating liner wide series — Dimensions and loads — Inch series*

EN 4691-1, *Aerospace series — Tie rod with integrated bolts — Part 1: Technical specification*

EN 4692, *Aerospace series — Tie rod with integrated bolts — Locking clip*

EN 10088-3, *Stainless steels — Part 3: Technical delivery conditions for semifinished products, bars, rods, wire, sections and bright products of corrosion resisting steels for general purposes*

ISO 2768-1, *General tolerances — Part 1: Tolerances for linear and angular dimensions without individual tolerance indications*

ISO 2768-2, *General tolerances — Part 2: Geometrical tolerances for features without individual tolerance indications*

ISO 8075, *Aerospace series — Surface treatment of hardenable stainless steel parts*

LN 9368-4, *Aerospace — Designation of surface treatments — Part 4: Codes numbers for methods of anodic treatment*¹⁾

LN 9368-7, *Aerospace — Designation of surface treatments — Part 7: Codes numbers for methods of organic coating*¹⁾

LN 9499-1, *Aerospace series — Inserts, helical coil threads, screw-locking — Class: 1100 MPa/235 °C/425 °C*¹⁾

WL 1.4548 (all parts), *Aerospace — Precipitation-hardening stainless chromium-nickel-copper steel with approx. 0,05C-16Cr-4Cu-4Ni*¹⁾

WL 3.1354 (all parts), *Aerospace — Wrought aluminium alloy with approx. 4,4Cu-1,5Mg-0,6Mn*¹⁾

FAR/JAR/CS 25.853, *Compartment Interiors*²⁾

¹⁾ Published by: Beuth Verlag GmbH www.beuth.de

3 Requirements

3.1 Configuration, dimensions, tolerances and mass

3.1.1 Configuration

The configuration shall be in accordance with Figure 1, Figure 2 and Figure 3.

3.1.2 Dimensions, tolerances and mass

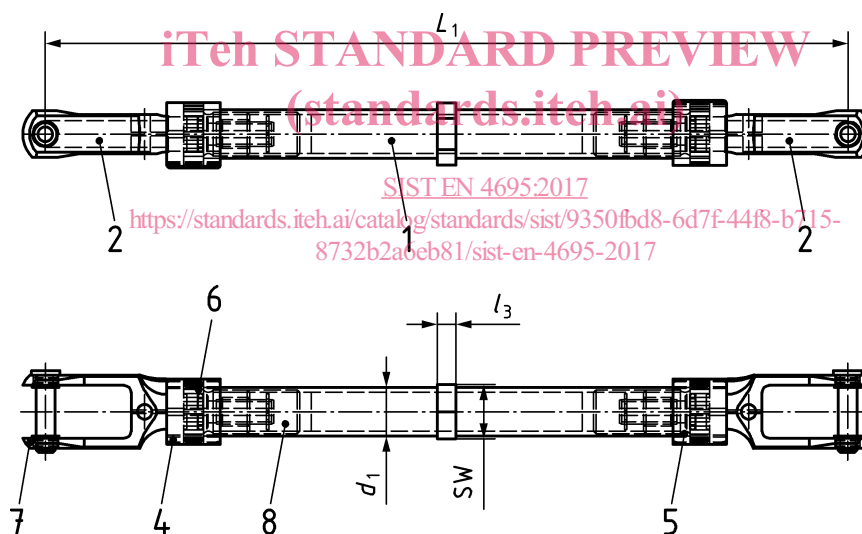
Dimensions are in millimetres, tolerances and masses in accordance to Table 4, Table 5, Table 6 and Table 7. General tolerances shall be in accordance to ISO 2768-mK. Missing dimensions are manufacturing options.

3.1.3 Technical requirements

See EN 4691-1.

4 Assembly code definitions

Assembly code G, H and K are shown in Figure 1, Figure 2 and Figure 3. For assembly code G, H and K: $d_1 = 20,0$ mm, $SW = 22,2$ mm and adjustable range for $L_1 = \pm 6,35$ mm.

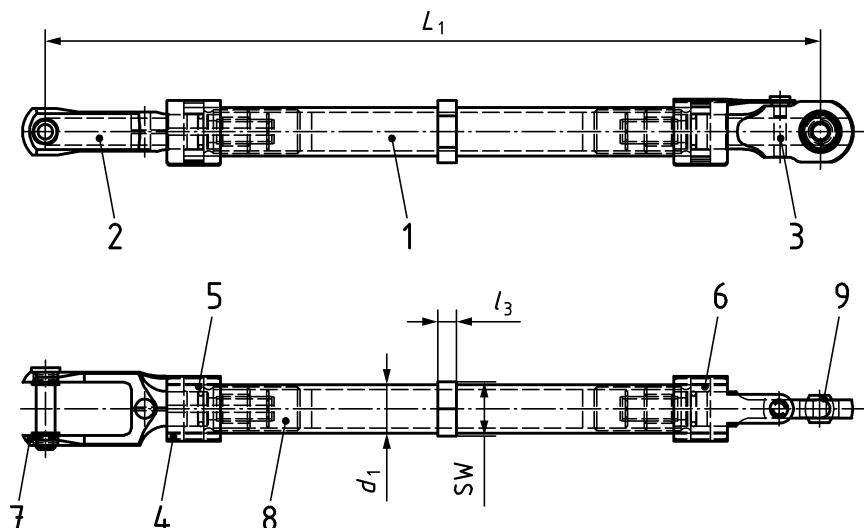


Key

1 - 2 - 4 - 5 - 6 - 7 and 8 The position numbers and the materials are shown in Table 1 and Table 2.

Figure 1 — Assembly code G

2) Published by: European Aviation Safety Agency, Postfach 101253, D-50452 Koeln, Germany.

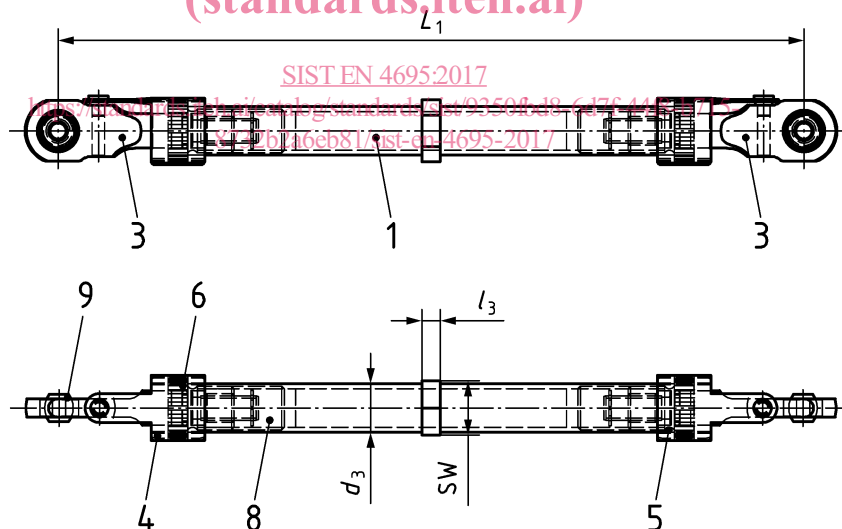


Key

1 - 2 - 3 - 4 - 5 - 6 - 7 - 8 and 9 The position numbers and the materials are shown in Table 1 and Table 2.

Figure 2 — Assembly code H

iTeh STANDARD PREVIEW
(standards.iteh.ai)



Key

1 - 3 - 4 - 5 - 6 - 8 and 9 The position numbers and the materials are shown in Table 1 and Table 2.

Figure 3 — Assembly code K

5 Materials

See Table 1.

Table 1 — Material code C

Position	Description		Material	Surface treatment
1	Rod body		Aluminium alloy according to WL 3.1354 T4 / T351	Anodized according to LN 9368-4-2000 and coating according to LN 9368-7-5023 and according to LN 9368-7-5106
2	Fork end		Stainless steel according to WL 1.4548.4 DIN 65038-1	Passivated according to ISO 8075
3	Eye end			
4	Locking clip		According to EN 4692	
5	Insert	5.1	Titanium alloy 3.7165 according to EN 3311	
	Threat insert / Helicoil	5.2	According to LN 9499-1, screw-locking according to EN 4691-1:2012, Table 4	
6	Washer		Silicon rubber ^a (see EN 4691-1)	
7	Bushes		Titanium alloy 3.7165 according to EN 3311	—
8	Snap ring		According to DIN 6799, material 1.4122 per EN 10088-3	—
9	Bearing		According to EN 4614	
10	Anaerobic Adhesive for Locking + Activator (Position 1 with position 2 and position 3 M18×1,5)		See EN 4691-1 Adhesive for example Methacrylate ester loctite 2701 Activator loctite 7649	—

^a Approved per FAR/JAR/CS 25.853.

6 Locking clips

Locking clip according EN 4692.

Description: For the fork ends there are two different types of safety clip.

For the eye end only one locking clip type A is available.

Type A has only the function to fix the fork end, eye end against rotation, see Figure 4 and Figure 5.

Type B also has the function to fix the fork end against rotation, see Figure 6 and Figure 7. The second function is the load transmission of tension and compression forces. No separate pin required.

The locking clip B is available in right hand (RH) and left hand (LH) version.

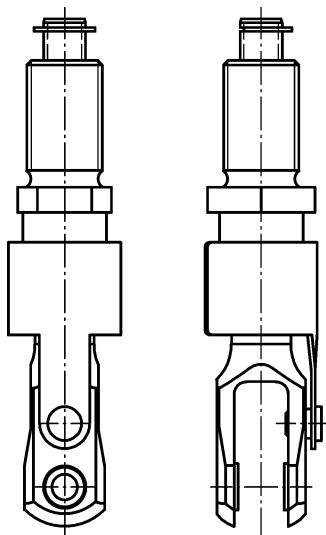


Figure 4 — Clip A

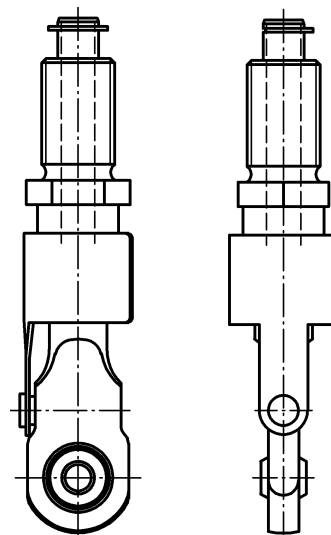


Figure 5 — Clip A

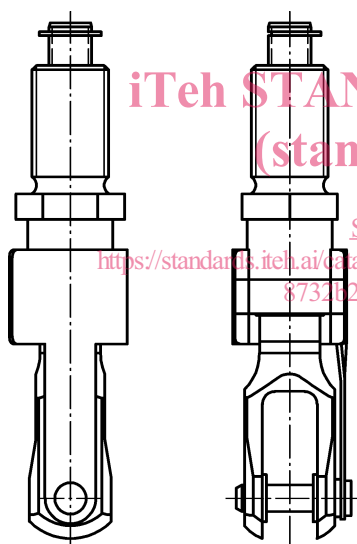


Figure 6 — Clip B (R)ight

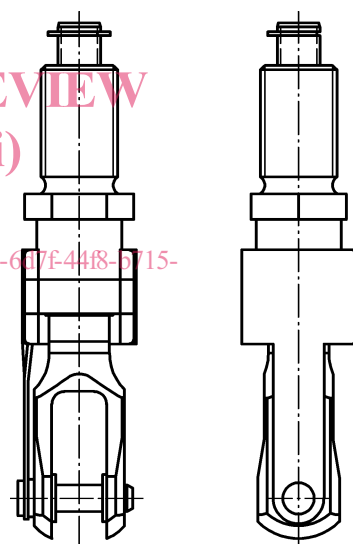


Figure 7 — Clip B (L)eft

iTeh STANDARD PREVIEW
(standards.iteh.ai)

SIST EN 4695:2017

<https://standards.iteh.ai/catalog/standards/sist/9350fd8-6a7f-44f8-b715-8732b2a6eb81/sist-en-4695-2017>