



SLOVENSKI STANDARD

SIST EN 6113:2015

01-oktober-2015

Aeronavtika - Odklopniki, pribor za priključevanje in montažo

Aerospace series - Circuit breaker, connecting and attachment hardware

Luft- und Raumfahrt - Schutzschalter, Anschluss- und Montage- Zubehör

Série aérospatiale - Disjoncteurs, connecteurs et montage accessoires

Ta slovenski standard je istoveten z: **EN 6113:2015**

[SIST EN 6113:2015](https://standards.iteh.ai/catalog/standards/sist/fded368a-1fe4-4654-bd86-f57094e6aadc/sist-en-6113-2015)

<https://standards.iteh.ai/catalog/standards/sist/fded368a-1fe4-4654-bd86-f57094e6aadc/sist-en-6113-2015>

ICS:

49.060	Letalska in vesoljska električna oprema in sistemi	Aerospace electric equipment and systems
--------	---	---

SIST EN 6113:2015

en,fr,de

iTeh STANDARD PREVIEW
(standards.iteh.ai)

SIST EN 6113:2015

<https://standards.iteh.ai/catalog/standards/sist/fded368a-1fe4-4654-bd86-f57094e6aac/sist-en-6113-2015>

EUROPEAN STANDARD
NORME EUROPÉENNE
EUROPÄISCHE NORM

EN 6113

July 2015

ICS 49.060

English Version

Aerospace series - Circuit breaker, connecting and attachment hardware

Série aérospatiale - Disjoncteurs, connecteurs et montage accessoires

Luft- und Raumfahrt - Schutzschalter, Anschluss- und Montage- Zubehör

This European Standard was approved by CEN on 29 November 2014.

CEN members are bound to comply with the CEN/CENELEC Internal Regulations which stipulate the conditions for giving this European Standard the status of a national standard without any alteration. Up-to-date lists and bibliographical references concerning such national standards may be obtained on application to the CEN-CENELEC Management Centre or to any CEN member.

This European Standard exists in three official versions (English, French, German). A version in any other language made by translation under the responsibility of a CEN member into its own language and notified to the CEN-CENELEC Management Centre has the same status as the official versions.

CEN members are the national standards bodies of Austria, Belgium, Bulgaria, Croatia, Cyprus, Czech Republic, Denmark, Estonia, Finland, Former Yugoslav Republic of Macedonia, France, Germany, Greece, Hungary, Iceland, Ireland, Italy, Latvia, Lithuania, Luxembourg, Malta, Netherlands, Norway, Poland, Portugal, Romania, Slovakia, Slovenia, Spain, Sweden, Switzerland, Turkey and United Kingdom.

[SIST EN 6113:2015](https://standards.iteh.ai/catalog/standards/sist/fded368a-1fe4-4654-bd86-f57094e6aadc/sist-en-6113-2015)

<https://standards.iteh.ai/catalog/standards/sist/fded368a-1fe4-4654-bd86-f57094e6aadc/sist-en-6113-2015>



EUROPEAN COMMITTEE FOR STANDARDIZATION
COMITÉ EUROPÉEN DE NORMALISATION
EUROPÄISCHES KOMITEE FÜR NORMUNG

CEN-CENELEC Management Centre: Avenue Marnix 17, B-1000 Brussels

Contents

	Page
European foreword	3
1 Scope	4
2 Normative references	4
3 Requirements	4
4 Designation	9
5 Marking	10
6 Technical specification	10
Figures	
Figure 1 — Configuration of connecting screw	5
Figure 2 — Configuration of connecting lockwasher	6
Figure 3 — Configuration of attachment nut	7
Figure 4 — Configuration attachment lockwasher	9
Tables	
Table 1 — Dimensions of attachment nut	8
Table 2 — Hardware kit part	10

ITCH STANDARD PREVIEW
 (standards.iteh.ai)
 SIST EN 6113:2015
<https://standards.iteh.ai/catalog/standards/sist/1dcd568a-11e4-4654-bd86-f57094e6aadc/sist-en-6113-2015>

European foreword

This document (EN 6113:2015) has been prepared by the Aerospace and Defence Industries Association of Europe - Standardization (ASD-STAN).

After enquiries and votes carried out in accordance with the rules of this Association, this European Standard has received the approval of the National Associations and the Official Services of the member countries of ASD, prior to its presentation to CEN.

This European Standard shall be given the status of a national standard, either by publication of an identical text or by endorsement, at the latest by January 2016, and conflicting national standards shall be withdrawn at the latest by January 2016.

Attention is drawn to the possibility that some of the elements of this document may be the subject of patent rights. CEN [and/or CENELEC] shall not be held responsible for identifying any or all such patent rights.

According to the CEN-CENELEC Internal Regulations, the national standards organizations of the following countries are bound to implement this European Standard: Austria, Belgium, Bulgaria, Croatia, Cyprus, Czech Republic, Denmark, Estonia, Finland, Former Yugoslav Republic of Macedonia, France, Germany, Greece, Hungary, Iceland, Ireland, Italy, Latvia, Lithuania, Luxembourg, Malta, Netherlands, Norway, Poland, Portugal, Romania, Slovakia, Slovenia, Spain, Sweden, Switzerland, Turkey and the United Kingdom.

iTeh STANDARD PREVIEW (standards.iteh.ai)

SIST EN 6113:2015

<https://standards.iteh.ai/catalog/standards/sist/fded368a-1fe4-4654-bd86-f57094e6aadc/sist-en-6113-2015>

EN 6113:2015 (E)**1 Scope**

This European Standard specifies the connecting and attaching hardware for circuit breakers.

2 Normative references

The following documents, in whole or in part, are normatively referenced in this document and are indispensable for its application. For dated references, only the edition cited applies. For undated references, the latest edition of the referenced document (including any amendments) applies.

EN 2424, *Aerospace series - Marking of aerospace products*

ISO 965-2, *ISO general purpose metric screw threads — Tolerances — Part 2: Limits of sizes for general purpose external and internal screw threads — Medium quality*

ISO 1190-1, *Copper and copper alloys — Code of designation — Part 1: Designation of materials*

ISO 4757, *Cross recesses for screws*

TR 3775, *Aerospace series — Bolts and pins — Materials* ¹⁾

MIL-B-87114, *Bolts, recess drive, general specification* ²⁾

MIL-S-8879, *Screw threads, controlled radius root with increased minor diameter, general specification for* ²⁾

3 Requirements**3.1 Configuration – Dimensions – Tolerances**

The configuration, dimensions and tolerances shall conform with 3.2, 3.3, 3.4 and 3.5.

3.2 Connecting screw**3.2.1 Configuration**

Configuration, see Figure 1, Figure 2, Figure 3 and Figure 4.

3.2.2 Dimensions and tolerances

Dimensions and tolerances are in millimetres.

3.2.3 Thread and Cross recess**3.2.3.1 Thread**

0.1640-32UNC-3A in accordance with MIL-S-8879.

3.2.3.2 Cross recess

Cross recess in accordance with ISO 4757 type H, No.2.

¹⁾ Published as ASD-STAN Technical Report at the date of publication of this European Standard (<http://www.asd-stan.org/>).

²⁾ Published by: DoD National (US) Mil. Department of Defense (<http://www.defenselink.mil/>).

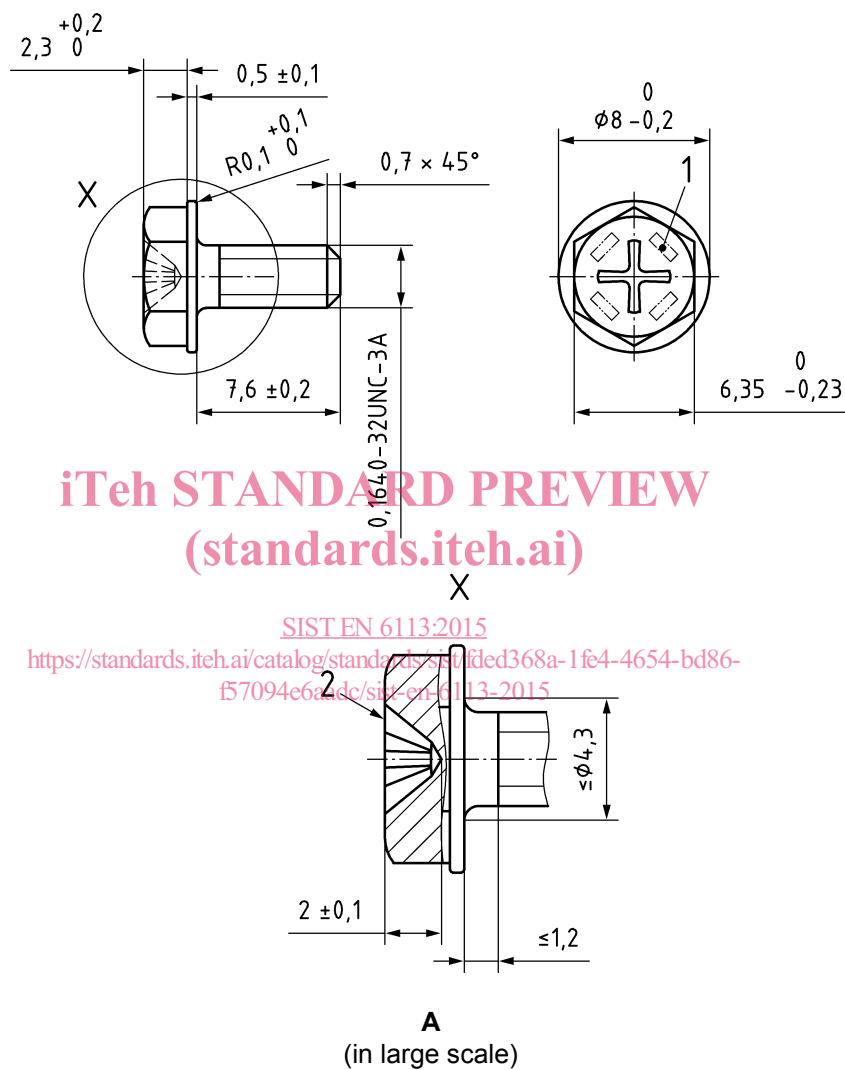
3.2.4 Material and protection

3.2.4.1 Material

Material: Steel, rupture resistance 860 MPa to 1 000 MPa in accordance with TR 3775.

3.2.4.2 Protection

Protection: Nickel plated (thickness 5 µm min.)



Key

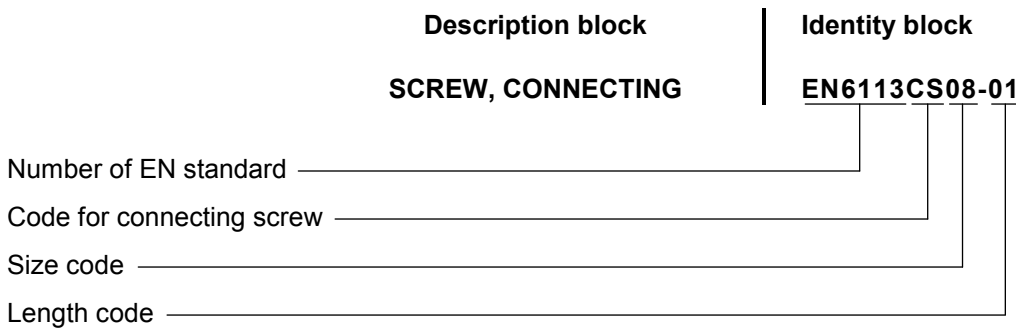
- 1 Marking, see Clause 5.
- 2 Cross recess, see 3.2.3.2.

Figure 1 — Configuration of connecting screw

EN 6113:2015 (E)

3.2.5 Designation of connecting screw

Example of designation for a single connecting screw:



3.3 Connecting lockwasher

3.3.1 Configuration

Configuration, see Figure 2.

3.3.2 Dimensions and tolerances

Dimensions and tolerances are in millimetres.

3.3.3 Requirements

Two wave corrugated washer.

3.3.4 Material and hardness

3.3.4.1 Material

Material: CuBe 1,9 to ISO 1190-1

3.3.4.2 Hardness

Hardness: 350 HV to 410 HV

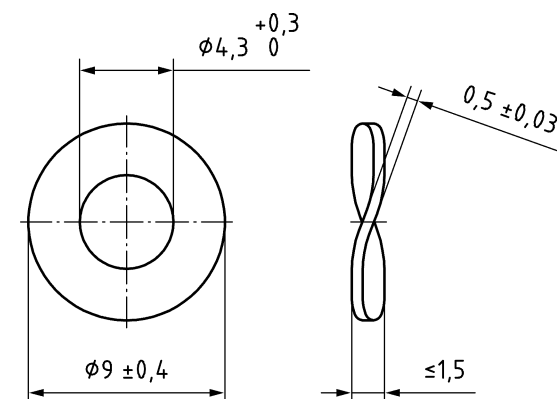
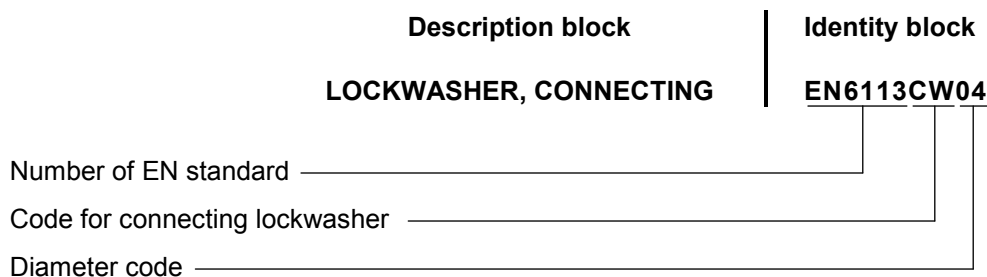


Figure 2 — Configuration of connecting lockwasher

3.3.5 Designation of connecting lockwasher

Example of designation for a single connecting lockwasher:



3.4 Attachment nut

3.4.1 Configuration

Configuration, see Figure 3.

3.4.2 Dimensions and tolerances

Dimensions and tolerances are in millimetres.

3.4.3 Material and protection

3.4.3.1 Material

Material: Aluminium alloy

3.4.3.2 Protection

Protection: Black sulphur anodized

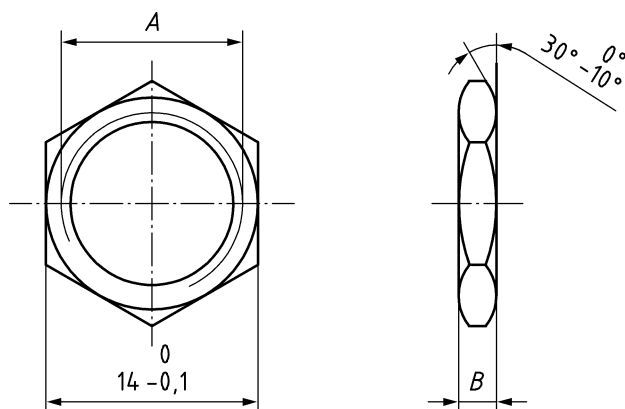


Figure 3 — Configuration of attachment nut