

ISO

INTERNATIONAL ORGANIZATION FOR STANDARDIZATION

ISO RECOMMENDATION R 288

SLOTTED AND CASTLE NUTS WITH METRIC THREAD

iTeh STANDARD PREVIEW

(standards.iteh.ai)

1st EDITION

January 1963

~~ISO/R 288-1963~~

<https://standards.iteh.ai/catalog/standards/sist/ba054211-d3d7-49fe-be1b-94defdc25289/iso-r-288-1-1963>

COPYRIGHT RESERVED

The copyright of ISO Recommendations and ISO Standards belongs to ISO Member Bodies. Reproduction of these documents, in any country, may be authorized therefore only by the national standards organization of that country, being a member of ISO.

For each individual country the only valid standard is the national standard of that country.

Printed in Switzerland

Also issued in French and Russian. Copies to be obtained through the national standards organizations.

TC

BRIEF HISTORY

The ISO Recommendation R 288, *Slotted and Castle Nuts with Metric Thread*, was drawn up by Technical Committee ISO/TC 2, *Bolts, nuts and accessories*, the Secretariat of which is held by the Deutscher Normenausschuss (DNA).

Work on this question by the Technical Committee began early in 1959 and led, in October 1959, to the adoption of a Draft ISO Recommendation.

In June 1960, this Draft ISO Recommendation (No. 385) was circulated to all the ISO Member Bodies for enquiry. It was approved, subject to a few modifications of an editorial nature, by the following Member Bodies:

| | | |
|----------------|-------------|----------------|
| Australia | Greece | Norway |
| Belgium | Hungary | Poland |
| Chile | India | Portugal |
| Colombia | Israel | Romania |
| Czechoslovakia | Italy | Spain |
| Denmark | Japan | United Kingdom |
| Finland | Netherlands | U.S.S.R. |
| Germany | New Zealand | |

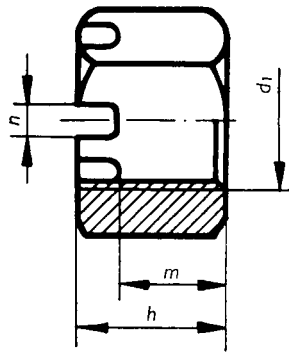
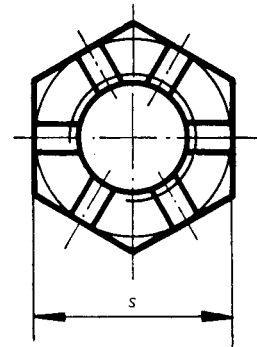
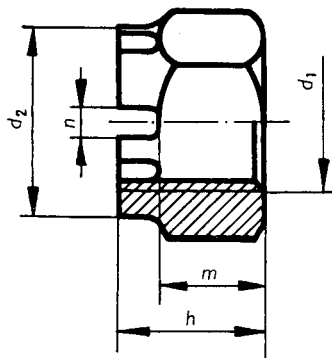
One Member Body opposed the approval of the Draft: France.

ISO/R 288-1:1963

The Draft ISO Recommendation was then submitted by correspondence to the ISO Council, which decided, in January 1963, to accept it as an ISO RECOMMENDATION.

SLOTTED AND CASTLE NUTS WITH METRIC THREAD

FOR ALL THREAD DIAMETERS

FOR THREAD DIAMETERS
FROM 12 TO 39 mm ONLY

Dimensions in millimetres

| Thread diameter d_1 | d_2 | h | m | n | s | Nominal split pin diameter |
|--------------------------|-------|-----|-----|-----|-----|-------------------------------|
| 4 | — | 5 | 3.2 | 1.2 | 7 | 1 |
| 5 | — | 6 | 4 | 1.4 | 8 | 1.2 |
| 6 | — | 7.5 | 5 | 1.6 | 10 | 1.6 |
| 7 | — | 8 | 5.5 | 2 | 11 | 1.6 |
| 8 | — | 9.5 | 6.5 | 2.5 | 13 | 2 |
| 10 | — | 12 | 8 | 2.8 | 17 | 2.5 |
| 12 | 17 | 15 | 10 | 3.5 | 19 | 3.2 |
| 14 | 19 | 16 | 11 | 3.5 | 22 | 3.2 |
| 16 | 22 | 19 | 13 | 4.5 | 24 | 4 |
| 18 | 25 | 21 | 15 | 4.5 | 27 | 4 |
| 20 | 28 | 22 | 16 | 4.5 | 30 | 4 |
| 22 | 30 | 26 | 18 | 5.5 | 32 | 5 |
| 24 | 34 | 27 | 19 | 5.5 | 36 | 5 |
| 27 | 38 | 30 | 22 | 5.5 | 41 | 5 |
| 30 | 42 | 33 | 24 | 7 | 46 | 6.3 |
| 33 | 46 | 35 | 26 | 7 | 50 | 6.3 |
| 36 | 50 | 38 | 29 | 7 | 55 | 6.3 |
| 39 | 55 | 40 | 31 | 7 | 60 | 6.3 |

iTeh STANDARD PREVIEW
(standards.iteh.ai)

ISO/R 288-1:1963

<https://standards.iteh.ai/catalog/standards/sist/ba054211-d3d7-49fe-be1b-94defdc25289/iso-r-288-1-1963>