



ISO

INTERNATIONAL ORGANIZATION FOR STANDARDIZATION

ISO RECOMMENDATION R 288/II

SLOTTED AND CASTLE NUTS WITH METRIC THREAD
42 UP TO AND INCLUDING 100 mm THREAD DIAMETER

(standards.iteh.ai)

ISO/R 288-2:1969

<https://standards.iteh.ai/catalog/standards/sist/d034ae10-2183-47df-8bca-00e14d03e104/iso-r-288-2-1969>

1st EDITION

January 1969

COPYRIGHT RESERVED

The copyright of ISO Recommendations and ISO Standards belongs to ISO Member Bodies. Reproduction of these documents, in any country, may be authorized therefore only by the national standards organization of that country, being a member of ISO.

For each individual country the only valid standard is the national standard of that country.

Printed in Switzerland

Also issued in French and Russian. Copies to be obtained through the national standards organizations.

TC

BRIEF HISTORY

The ISO Recommendation R 288/II-1969, *Slotted and castle nuts with metric thread – 42 up to and including 100 mm thread diameter*, was drawn up by Technical Committee ISO/TC 2, *Bolts, nuts and accessories*, the Secretariat of which is held by the Deutscher Normenausschuss (DNA). It is an addendum to ISO Recommendation R 288-1963, *Slotted and castle nuts with metric thread*, which covers thread diameters up to and including 39 mm.

Work on this question by the Technical Committee began in 1966 and led, in 1967, to the adoption of a Draft ISO Recommendation.

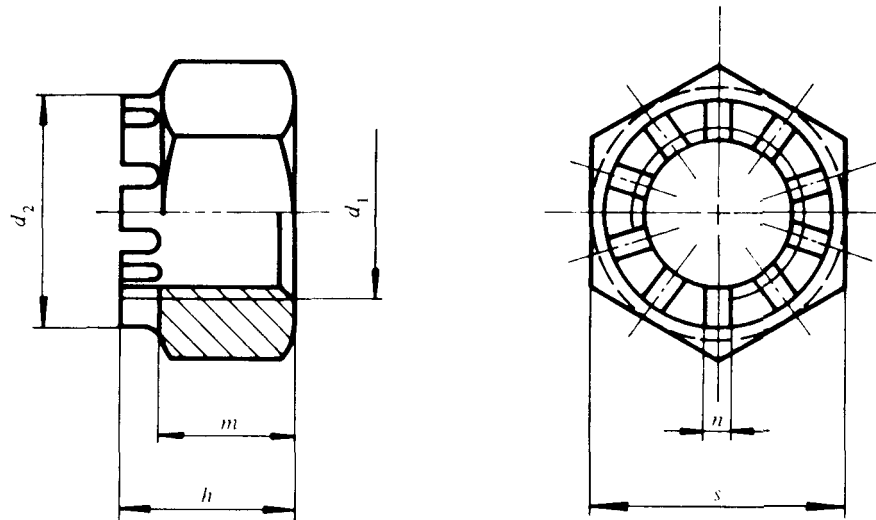
In September 1967, this Draft ISO Recommendation (No. 1277) was circulated to all the ISO Member Bodies for enquiry. It was approved, subject to a few modifications of an editorial nature, by the following Member Bodies :

Austria	India	Spain
Belgium	Israel	Sweden
Canada	Italy	Switzerland
Chile	Japan	Thailand
Czechoslovakia	Korea, Rep. of	Turkey
Denmark	Netherlands	U.A.R.
Finland	Norway	United Kingdom
France	Poland	U.S.A.
Germany	Portugal	U.S.S.R.
Greece	Romania	Yugoslavia
Hungary	South Africa, Rep. of	

No Member Body opposed the approval of the Draft.

The Draft ISO Recommendation was then submitted by correspondence to the ISO Council, which decided, in January 1969, to accept it as an ISO RECOMMENDATION.

SLOTTED AND CASTLE NUTS WITH METRIC THREAD
42 UP TO AND INCLUDING 100 mm THREAD DIAMETER



The root of slots should be rounded or chamfered but not sharply edged.

(standards.iteh.ai)

Dimensions in millimetres

Thread diameter d_1	d_2	h	m	n	s	Number of slots	Nominal split pin diameter
42	58	46	34	9	65	8	8
45	62	48	36	9	70	8	8
48	65	50	38	9	75	8	8
52	70	54	42	9	80	8	8
56	75	57	45	9	85	8	8
60	80	63	48	11	90	8	10
64	85	66	51	11	95	8	10
68	90	69	54	11	100	8	10
72	95	73	58	11	105	10	10
76	100	76	61	11	110	10	10
80	105	79	64	11	115	10	10
85	110	88	68	14	120	10	13
90	120	92	72	14	130	10	13
95	125	96	76	14	135	10	13
100	135	100	80	14	145	10	13

iTeh STANDARD PREVIEW **(standards.iteh.ai)**

ISO/R 288-2:1969

<https://standards.iteh.ai/catalog/standards/sist/d034ae10-2183-47df-8bca-00e14d0a9a43/iso-r-288-2-1969>