

---

---

**Milling cutters with tenon drive —  
Interchangeability dimensions for cutter  
arbors — Metric series**

*Fraises à métaux à entraînement par tenons — Dimensions  
d'interchangeabilité avec les mandrins porte-fraise — Série métrique*

**iTeh STANDARD PREVIEW**  
**(standards.iteh.ai)**

[ISO 2780:2006](https://standards.iteh.ai/catalog/standards/sist/97dba4e9-6ac7-4605-86bd-ae02fae8868a/iso-2780-2006)

[https://standards.iteh.ai/catalog/standards/sist/97dba4e9-6ac7-4605-86bd-  
ae02fae8868a/iso-2780-2006](https://standards.iteh.ai/catalog/standards/sist/97dba4e9-6ac7-4605-86bd-ae02fae8868a/iso-2780-2006)



**PDF disclaimer**

This PDF file may contain embedded typefaces. In accordance with Adobe's licensing policy, this file may be printed or viewed but shall not be edited unless the typefaces which are embedded are licensed to and installed on the computer performing the editing. In downloading this file, parties accept therein the responsibility of not infringing Adobe's licensing policy. The ISO Central Secretariat accepts no liability in this area.

Adobe is a trademark of Adobe Systems Incorporated.

Details of the software products used to create this PDF file can be found in the General Info relative to the file; the PDF-creation parameters were optimized for printing. Every care has been taken to ensure that the file is suitable for use by ISO member bodies. In the unlikely event that a problem relating to it is found, please inform the Central Secretariat at the address given below.

**iTeh STANDARD PREVIEW**  
**(standards.iteh.ai)**

[ISO 2780:2006](https://standards.iteh.ai/catalog/standards/sist/97dba4e9-6ac7-4605-86bd-ae02fae8868a/iso-2780-2006)

<https://standards.iteh.ai/catalog/standards/sist/97dba4e9-6ac7-4605-86bd-ae02fae8868a/iso-2780-2006>

© ISO 2006

All rights reserved. Unless otherwise specified, no part of this publication may be reproduced or utilized in any form or by any means, electronic or mechanical, including photocopying and microfilm, without permission in writing from either ISO at the address below or ISO's member body in the country of the requester.

ISO copyright office  
Case postale 56 • CH-1211 Geneva 20  
Tel. + 41 22 749 01 11  
Fax + 41 22 749 09 47  
E-mail [copyright@iso.org](mailto:copyright@iso.org)  
Web [www.iso.org](http://www.iso.org)

Published in Switzerland

## Foreword

ISO (the International Organization for Standardization) is a worldwide federation of national standards bodies (ISO member bodies). The work of preparing International Standards is normally carried out through ISO technical committees. Each member body interested in a subject for which a technical committee has been established has the right to be represented on that committee. International organizations, governmental and non-governmental, in liaison with ISO, also take part in the work. ISO collaborates closely with the International Electrotechnical Commission (IEC) on all matters of electrotechnical standardization.

International Standards are drafted in accordance with the rules given in the ISO/IEC Directives, Part 2.

The main task of technical committees is to prepare International Standards. Draft International Standards adopted by the technical committees are circulated to the member bodies for voting. Publication as an International Standard requires approval by at least 75 % of the member bodies casting a vote.

Attention is drawn to the possibility that some of the elements of this document may be the subject of patent rights. ISO shall not be held responsible for identifying any or all such patent rights.

ISO 2780 was prepared by Technical Committee ISO/TC 29, *Small tools*, Subcommittee SC 2, *High speed steel cutting tools and their attachments*.

This third edition cancels and replaces the second edition (ISO 2780:1986), Table 2 of which has been technically revised.

**iTeh STANDARD PREVIEW**  
**(standards.iteh.ai)**  
ISO 2780:2006  
<https://standards.iteh.ai/catalog/standards/sist/97dba4e9-6ac7-4605-86bd-ae02fae8868a/iso-2780-2006>

**iTeh STANDARD PREVIEW**  
**(standards.iteh.ai)**

ISO 2780:2006

<https://standards.iteh.ai/catalog/standards/sist/97dba4e9-6ac7-4605-86bd-ae02fae8868a/iso-2780-2006>

# Milling cutters with tenon drive — Interchangeability dimensions for cutter arbors — Metric series

## 1 Scope

This International Standard specifies the dimensions for interchangeability between milling cutters with tenon drive and the cutter seating of cutter arbors.

It is applicable only to milling cutters of the metric series.

It gives the interchangeability dimensions for:

- the milling cutters;
- the cutter seating on the arbor;
- the cutter retaining screw on the cutter arbor.

## 2 Normative references

The following referenced documents are indispensable for the application of this document. For dated references, only the edition cited applies. For undated references, the latest edition of the referenced document (including any amendments) applies.

ISO 240:1994, *Milling cutters — Interchangeability dimensions for cutter arbors or cutter mandrels*  
<https://standards.iteh.ai/catalog/standards/sist/97d8a4e9-6ac7-4605-86bd-ae021ae8868a/iso-2780-2006>

ISO 2768-1, *General tolerances — Part 1: Tolerances for linear and angular dimensions without individual tolerance indications*

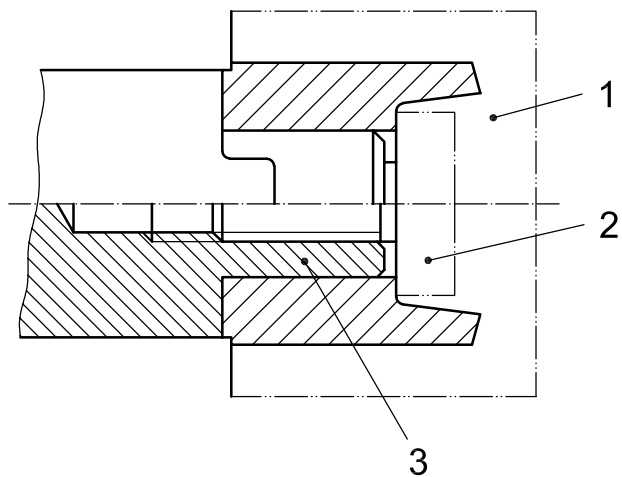
## 3 Dimensions

### 3.1 General

All dimensions and tolerances are given in millimetres. Tolerances not specified shall be of tolerance class m, in accordance with ISO 2768-1.

### 3.2 General layout

See Figure 1.



**Key**

- 1 tenon drive cutter
- 2 cutter retaining screw on cutter arbor
- 3 arbor spigot

**iTeh STANDARD PREVIEW**  
(standards.iteh.ai)

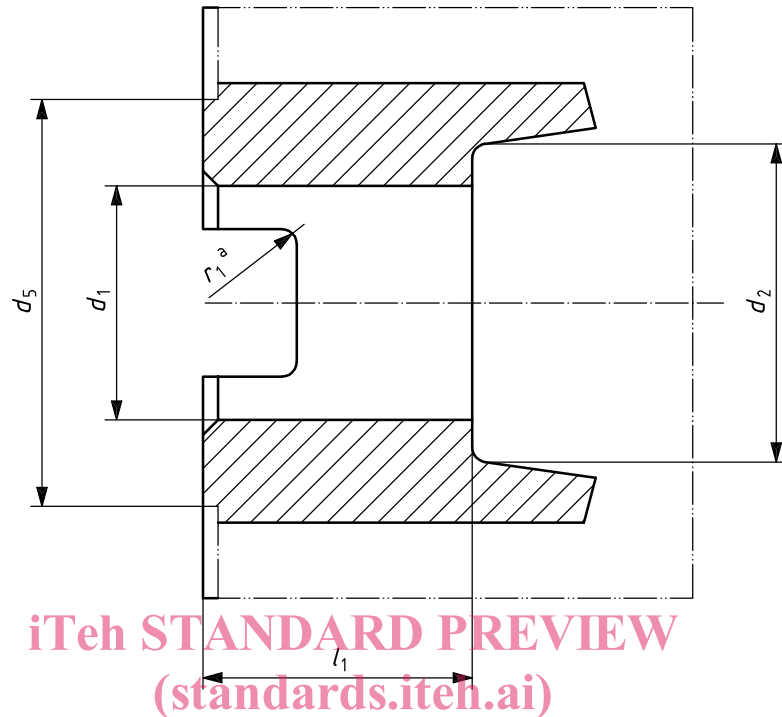
**Figure 1 — General layout**

ISO 2780:2006

<https://standards.iteh.ai/catalog/standards/sist/97dba4e9-6ac7-4605-86bd-ae02fae8868a/iso-2780-2006>

### 3.3 Interchangeability dimensions of cutter

The dimensions for the interchangeability of the cutter are shown in Figure 2 and given in Table 1.



<sup>a</sup> For dimension  $r_1$ , see ISO 240.

ISO 2780:2006  
<https://standards.iteh.ai/catalog/standards/sist/95d114e9-6ac7-4605-86bd-ae02fae8868a/iso-2780-2006>  
**Figure 2 — Cutter**

**Table 1 — Interchangeability dimensions of cutter**

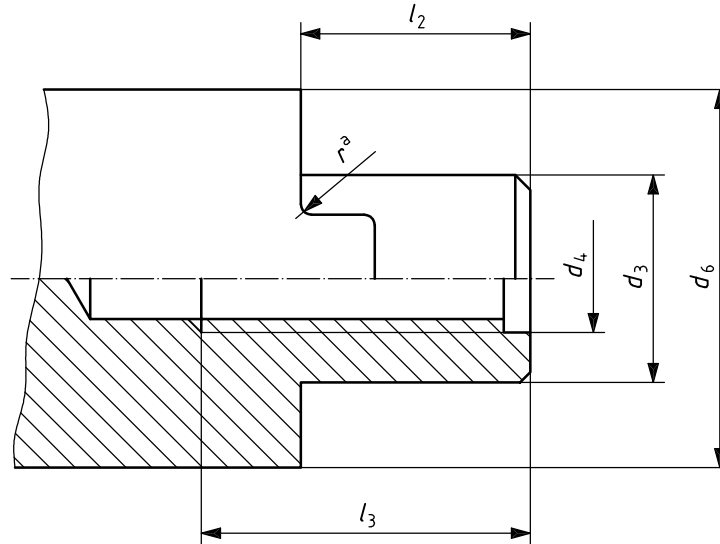
$d_1$	$d_2$	$d_5^a$	$l_1$
H7	min	min	$\begin{matrix} +1 \\ 0 \end{matrix}$
16	23	33	18
22	30	41	20
27	38	49	22
32	45	59	25
40	56	71	28
50	67	91	31

<sup>a</sup> Relief with diameter  $d_5$  on the back face of the body is optional.

The tenon seatings shall be in accordance with ISO 240.

### 3.4 Interchangeability dimensions of seating of cutter on arbor

The dimensions for the interchangeability of the seating of the cutter on the arbor are shown in Figure 3 and given in Table 2.



<sup>a</sup> For dimension  $r$ , see ISO 240.

STANDARD PREVIEW  
(standards.itech.ai)

Figure 3 — Arbor spigot

ISO 2780:2006  
Table 2 — Interchangeability dimensions of the seating  
<https://standards.itech.ai/catalog/standards/sist/97dba4e9-6ac7-4603-86bd-ae02fae8878a/iso-2780-2006>

$d_3$ h6	$d_4$	$d_6$ min.	$l_2$ min.	$l_3$ $\begin{matrix} 0 \\ -1 \end{matrix}$
16	M8	32	20	17
22	M10	40	22	19
27	M12	48	26	21
32	M16	58	30	24
40	M20	70	34	27
50	M24	90	40	30

The tenon seatings shall be in accordance with the metric series of ISO 240.



### 3.5 Interchangeability dimensions of the cutter retaining screw on the cutter arbor

The dimensions for the interchangeability of the cutter retaining screw on the cutter arbor are shown in Figure 4 and given in Table 3.

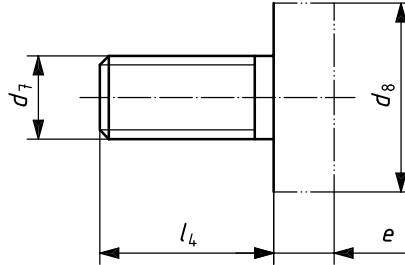


Figure 4 — Cutter retaining screw on cutter arbor

Table 3 — Dimensions of cutter retaining screw on cutter arbor

$d_3^a$	$d_7$	$d_8$ max.	$l_4$ $+3$ $0$	$e$ max.
16	M8	20	16	6
22	M10	28	18	7
27	M12	35	22	8
32	M16	42	26	9
40	M20	52	30	10
50	M24	63	36	12

<sup>a</sup> Nominal diameter of spigot.

The shape of the retaining screw head is at the option of the manufacturer, only the overall dimensions  $d_8$  and  $e$  having to be respected.