
**Agricultural tractors and machinery —
Connection of implements via three-point
linkage — Clearance zone around
implement**

*Tracteurs et matériels agricoles — Liaisons des instruments par
l'attelage trois points — Zone de dégagement autour de l'instrument*

iTeh STANDARD PREVIEW
(standards.iteh.ai)

[ISO 2332:2009](https://standards.iteh.ai/catalog/standards/sist/424c81c2-b467-488f-8b4f-f74224e2081d/iso-2332-2009)

<https://standards.iteh.ai/catalog/standards/sist/424c81c2-b467-488f-8b4f-f74224e2081d/iso-2332-2009>



PDF disclaimer

This PDF file may contain embedded typefaces. In accordance with Adobe's licensing policy, this file may be printed or viewed but shall not be edited unless the typefaces which are embedded are licensed to and installed on the computer performing the editing. In downloading this file, parties accept therein the responsibility of not infringing Adobe's licensing policy. The ISO Central Secretariat accepts no liability in this area.

Adobe is a trademark of Adobe Systems Incorporated.

Details of the software products used to create this PDF file can be found in the General Info relative to the file; the PDF-creation parameters were optimized for printing. Every care has been taken to ensure that the file is suitable for use by ISO member bodies. In the unlikely event that a problem relating to it is found, please inform the Central Secretariat at the address given below.

iTeh STANDARD PREVIEW
(standards.iteh.ai)

ISO 2332:2009

<https://standards.iteh.ai/catalog/standards/sist/424c81c2-b467-488f-8b4f-f74224e2081d/iso-2332-2009>



COPYRIGHT PROTECTED DOCUMENT

© ISO 2009

All rights reserved. Unless otherwise specified, no part of this publication may be reproduced or utilized in any form or by any means, electronic or mechanical, including photocopying and microfilm, without permission in writing from either ISO at the address below or ISO's member body in the country of the requester.

ISO copyright office
Case postale 56 • CH-1211 Geneva 20
Tel. + 41 22 749 01 11
Fax + 41 22 749 09 47
E-mail copyright@iso.org
Web www.iso.org

Published in Switzerland

Foreword

ISO (the International Organization for Standardization) is a worldwide federation of national standards bodies (ISO member bodies). The work of preparing International Standards is normally carried out through ISO technical committees. Each member body interested in a subject for which a technical committee has been established has the right to be represented on that committee. International organizations, governmental and non-governmental, in liaison with ISO, also take part in the work. ISO collaborates closely with the International Electrotechnical Commission (IEC) on all matters of electrotechnical standardization.

International Standards are drafted in accordance with the rules given in the ISO/IEC Directives, Part 2.

The main task of technical committees is to prepare International Standards. Draft International Standards adopted by the technical committees are circulated to the member bodies for voting. Publication as an International Standard requires approval by at least 75 % of the member bodies casting a vote.

Attention is drawn to the possibility that some of the elements of this document may be the subject of patent rights. ISO shall not be held responsible for identifying any or all such patent rights.

ISO 2332 was prepared by Technical Committee ISO/TC 23, *Tractors and machinery for agriculture and forestry*, Subcommittee SC 4, *Tractors*.

This third edition cancels and replaces the second edition (ISO 2332:1993), which has been technically revised.

iTeh STANDARD PREVIEW
(standards.iteh.ai)

ISO 2332:2009
<https://standards.iteh.ai/catalog/standards/sist/424c81c2-b467-488f-8b4f-f74224e2081d/iso-2332-2009>

iTeh STANDARD PREVIEW
(standards.iteh.ai)

ISO 2332:2009

<https://standards.iteh.ai/catalog/standards/sist/424c81c2-b467-488f-8b4f-f74224e2081d/iso-2332-2009>

Agricultural tractors and machinery — Connection of implements via three-point linkage — Clearance zone around implement

1 Scope

This International Standard specifies the clearance zone around an implement for attachment to the three-point linkage of an agricultural wheeled tractor.

It is applicable to the connection of agricultural implements to three-point linkages complying with ISO 730, and also where implement couplers complying with ISO 11001-1, ISO 11001-2, ISO 11001-3 and ISO 11001-4 are used.

2 Normative references

The following referenced documents are indispensable for the application of this document. For dated references, only the edition cited applies. For undated references, the latest edition of the referenced document (including any amendments) applies.

ISO 730:2009, *Agricultural wheeled tractors — Rear-mounted three-point linkage — Categories 1N, 1, 2N, 2, 3N, 3, 4N and 4* <https://standards.iteh.ai/catalog/standards/sist/424c81c2-b467-488f-8b4f-f74224e2081d/iso-2332-2009>

ISO 11001 (all parts), *Agricultural wheeled tractors and implements — Three-point hitch couplers*

3 Terms and definitions

For the purposes of this document, the following terms and definitions apply.

3.1

implement coupler

device which facilitates the connection of tractor three-point linkage to the implement

3.2

transport pitch

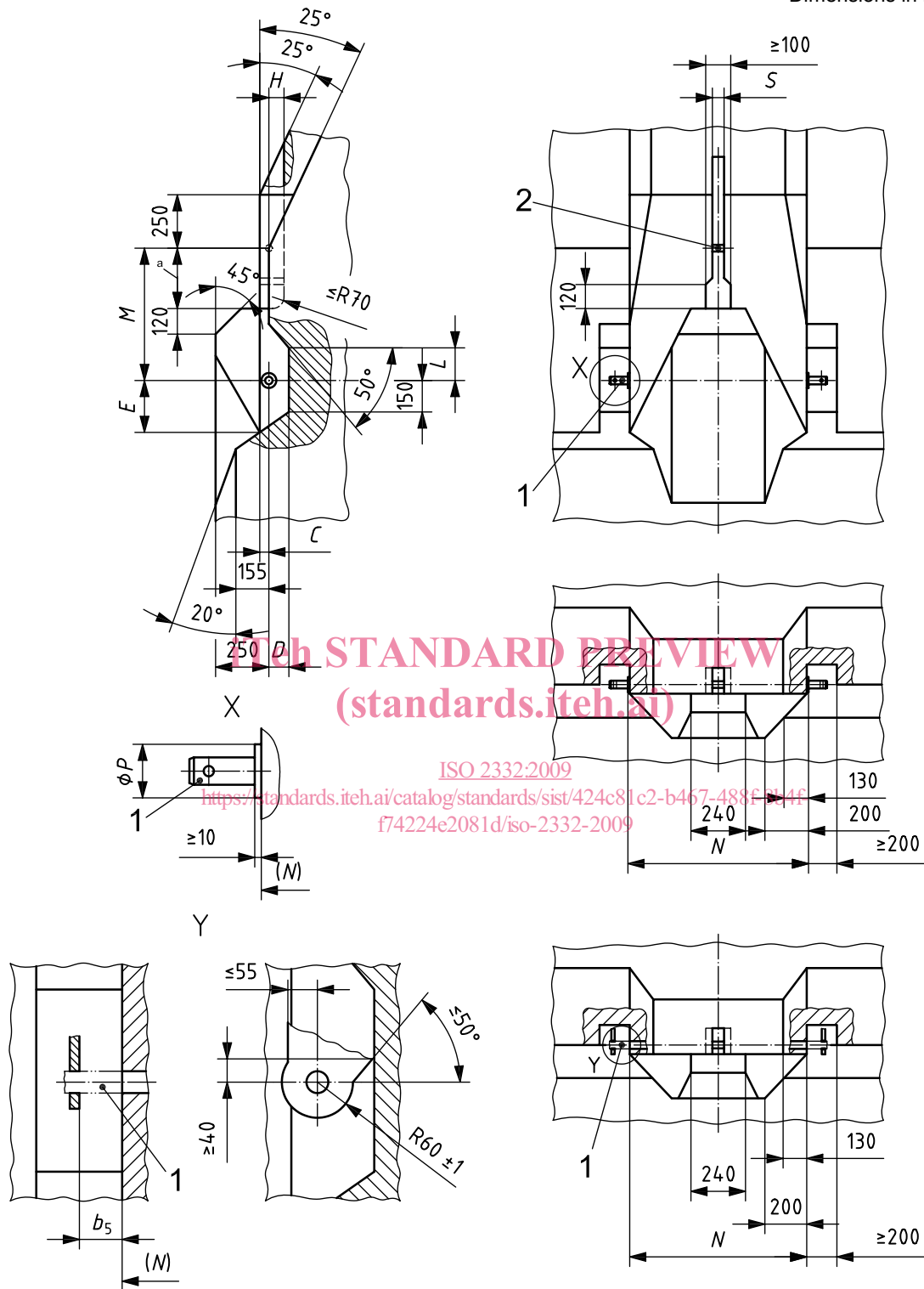
pitch reached by the mast when lifted to standard transport height from a position with lower links horizontal and mast vertical

[ISO 730:2009, 3.2.24]

4 Specifications

The shape and dimensions of the clearance zone around implements for attachment to a three-point linkage shall be as shown in Figures 1 to 4 and as given in Table 1. Not included are adjustable levers and handles used to operate the implement, or specifications referring to the width of the implements.

Dimensions in millimetres



Key

- 1 lower hitch point
- 2 upper hitch point
- X hitch pin on both sides
- Y clevis mounting on both sides

^a A or B (see Table 1).

NOTE For dimension b_5 , see ISO 730.

Figure 1 — Clearance zone of implements where transport pitch extends forward of vertical in raised position (view of details)

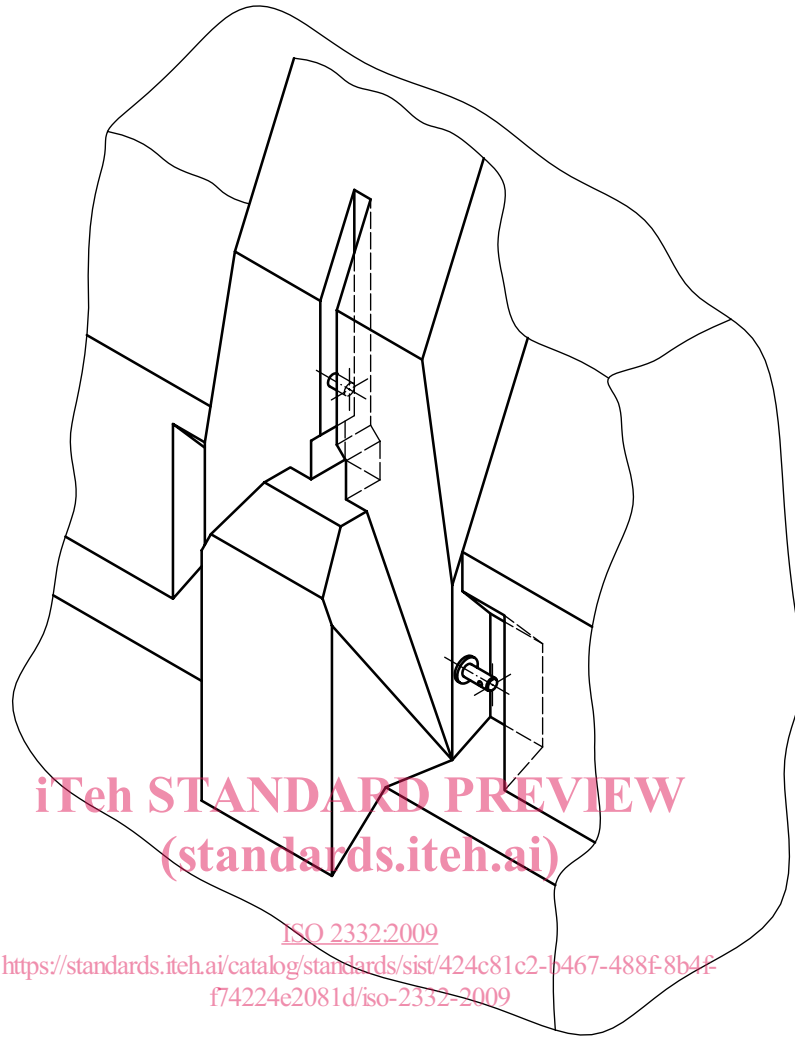
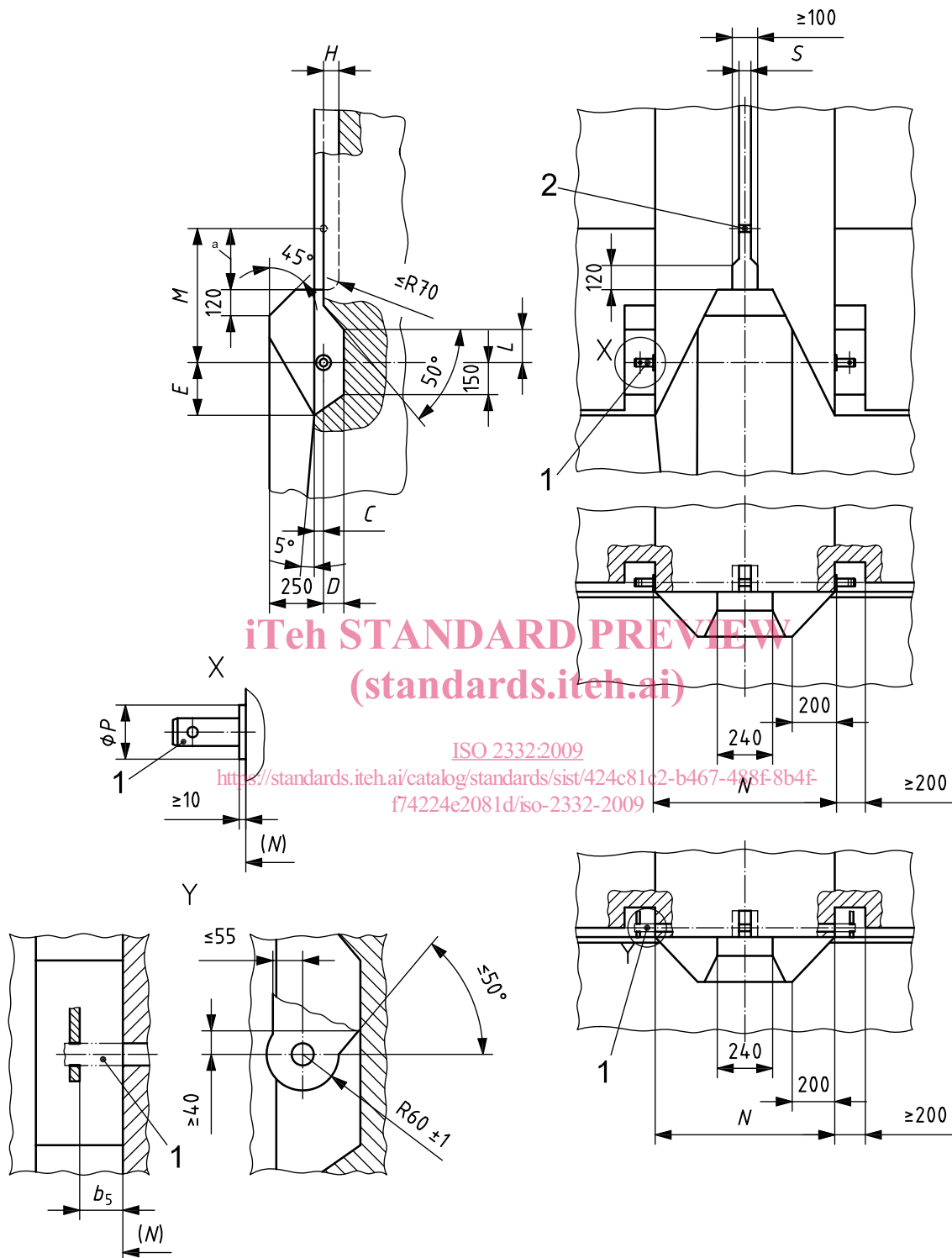


Figure 2 — Clearance zone of implements where transport pitch extends forward of vertical in raised position (perspective view)

Dimensions in millimetres



iTeh STANDARD PREVIEW
(standards.iteh.ai)

ISO 2332:2009

<https://standards.iteh.ai/catalog/standards/sist/424c81c2-b467-488f-8b4f-f74224e2081d/iso-2332-2009>

Key

- 1 lower hitch point
- 2 upper hitch point
- X hitch pin on both sides
- Y clevis mounting on both sides

^a A or B (see Table 1).

NOTE For dimension b_5 , see ISO 730.

Figure 3 — Clearance zone of implements where transport pitch does not extend forward of vertical in raised position (view of details)

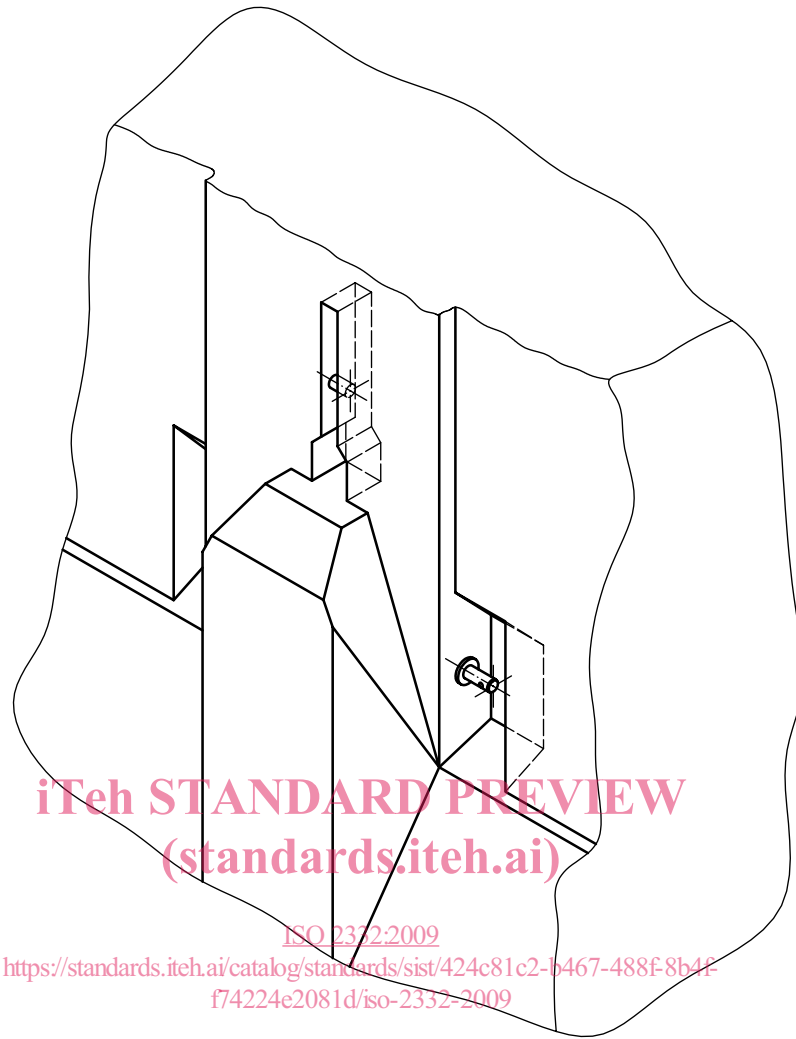


Figure 4 — Clearance zone of implements where transport pitch shall not extend forward of vertical in raised position (perspective view)