

03

# ISO

INTERNATIONAL ORGANIZATION FOR STANDARDIZATION

## ISO RECOMMENDATION

R 381 *withdrawn 1980*

GYMNASTIC EQUIPMENT

### **iTeh STANDARD PREVIEW** VAULTING HORSE AND POMMELLED HORSE *(standards.iteh.ai)*

ISO/R 381:1964

<https://standards.iteh.ai/catalog/standards/sist/2e4745ef-6d52-470e-85d9-545ee68a0862/iso-r-381-1964>

1st EDITION

December 1964

COPYRIGHT RESERVED

The copyright of ISO Recommendations and ISO Standards belongs to ISO Member Bodies. Reproduction of these documents, in any country, may be authorized therefore only by the national standards organization of that country, being a member of ISO.

For each individual country the only valid standard is the national standard of that country.

Printed in Switzerland

Also issued in French and Russian. Copies to be obtained through the national standards organizations.

## BRIEF HISTORY

The ISO Recommendation R 381, *Gymnastic Equipment. Vaulting Horse and Pomelled Horse*, was drawn up by Technical Committee ISO/TC 83, *Gymnastics and Sports Equipment*, the Secretariat of which is held by the Deutscher Normenausschuss (DNA).

Work on this question by the Technical Committee began in 1956 and led, in 1961, to the adoption of a Draft ISO Recommendation.

In December 1961, this Draft ISO Recommendation (No. 489) was circulated to all the ISO Member Bodies for enquiry. It was approved, subject to a few modifications of an editorial nature, by the following Member Bodies:

Austria	India	Spain
Bulgaria	Japan	Switzerland
Denmark	Netherlands	Turkey
France	New Zealand	United Kingdom
Germany	Pakistan	U.S.S.R.
Greece	Poland	

<https://standards.iteh.ai/catalog/standards/sist/2e4745ef-6d52-470e-85d9-545ee68a0862/iso-r-381-1964>

No Member Body opposed the approval of the Draft.

The Draft ISO Recommendation was then submitted by correspondence to the ISO Council, which decided, in December 1964, to accept it as an ISO RECOMMENDATION.

## GYMNASTIC EQUIPMENT

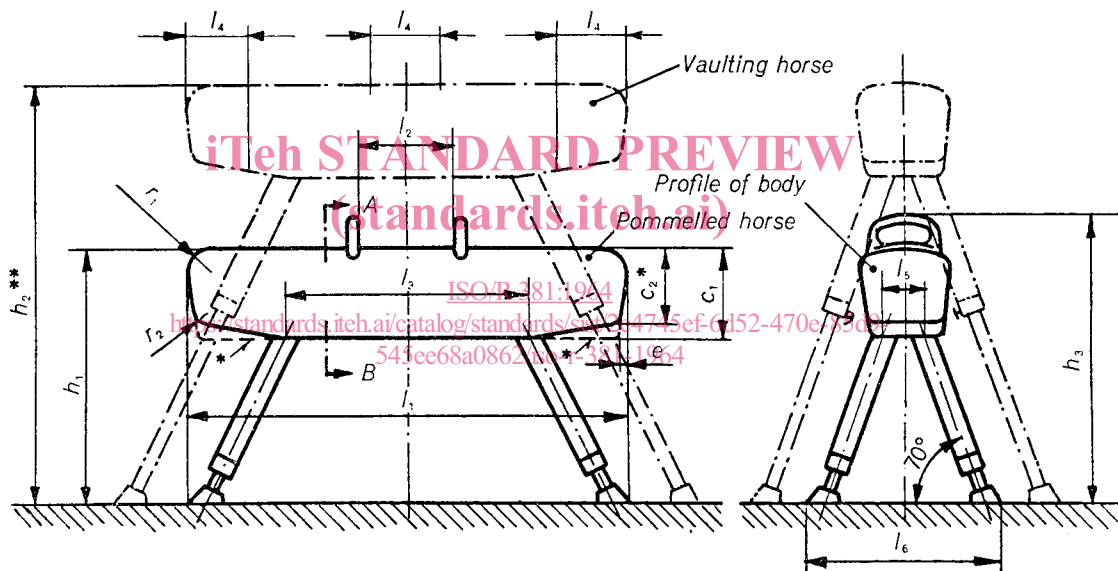
## VAULTING HORSE AND POMMELLED HORSE

## FOREWORD

This ISO Recommendation has been elaborated in co-operation with the International Gymnastic Federation (IGF). It concerns gymnastic equipment the use of which is recommended for international competitions.

## 1. SHAPES AND DIMENSIONS

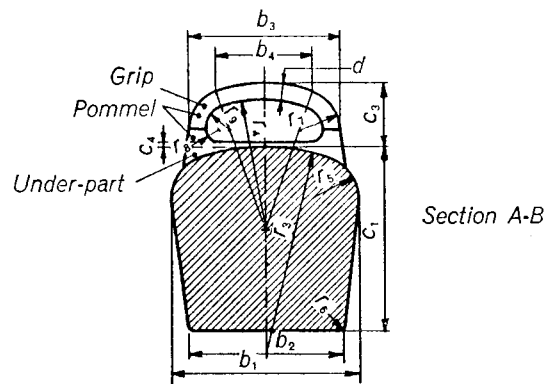
Shapes and dimensions not specified are left to the discretion of the manufacturer.



- The shape to be given to the lower surface of the body of the horse is left to the discretion of the manufacturer.
- \*\* Height of the vaulting horse for men =  $h_2$  and for women =  $h_1$ .

## NOTES

1. Material for the grip of the pommel: wood;  
the under-part of the pommel: left to the discretion of the manufacturer;  
the lining: first quality of cowhide.
2. The height of the horse between  $h_1$  and  $h_2$  should be adjustable in steps of 50 mm = 1.968 in (exact corresponding value) or  $1^{15}/_{16}$  in (permissible rounded value). The adjustment of three legs should be by means of notches, and of the fourth leg by a clamping device which should provide for all vertical adjustments.
3. The padding should be resistant, homogeneous and securely attached to the body of the horse.
4. A special device should also be provided for the fastening of the horse to the floor.



Symbols	Dimensions in millimetres	Corresponding dimensions in inches	
		Exact values	Permissible rounded values
$b_1$	$350 \begin{smallmatrix} 0 \\ -10 \end{smallmatrix}$	$13.779 \begin{smallmatrix} 0 \\ -0.394 \end{smallmatrix}$	$13 \frac{3}{4} \begin{smallmatrix} 0 \\ -\frac{3}{8} \end{smallmatrix}$
$b_2$	$290 \begin{smallmatrix} 0 \\ -10 \end{smallmatrix}$	$11.417 \begin{smallmatrix} 0 \\ -0.394 \end{smallmatrix}$	$11 \frac{3}{8} \begin{smallmatrix} 0 \\ -\frac{3}{8} \end{smallmatrix}$
$b_3$	280	11.024	11
$b_4$	180	7.087	$7 \frac{1}{16}$
$c_1$	$340 \begin{smallmatrix} 0 \\ -10 \end{smallmatrix}$	$13.385 \begin{smallmatrix} 0 \\ -0.394 \end{smallmatrix}$	$13 \frac{3}{8} \begin{smallmatrix} 0 \\ -\frac{3}{8} \end{smallmatrix}$
$c_2$	280	11.024	11
$c_3$	120	4.724	$4 \frac{3}{4}$
$c_4$	$10 \begin{smallmatrix} 0 \\ -1 \end{smallmatrix}$	$0.394 \begin{smallmatrix} 0 \\ -0.039 \end{smallmatrix}$	$\frac{13}{32}$
$d$	$34 \begin{smallmatrix} 0 \\ -1 \end{smallmatrix}$	$1.338 \begin{smallmatrix} 0 \\ -0.039 \end{smallmatrix}$	—
$e$	30	1.181	$1 \frac{3}{16}$
$h_1$	$1100 \begin{smallmatrix} 0 \\ -10 \end{smallmatrix}$	$43.307 \begin{smallmatrix} 0 \\ -0.394 \end{smallmatrix}$	$43 \frac{3}{8} \begin{smallmatrix} 0 \\ -\frac{3}{8} \end{smallmatrix}$
$h_2$	$1350 \begin{smallmatrix} 0 \\ -10 \end{smallmatrix}$	$53.150 \begin{smallmatrix} 0 \\ -0.394 \end{smallmatrix}$	$53 \frac{1}{8} \begin{smallmatrix} 0 \\ -\frac{3}{8} \end{smallmatrix}$
$h_3$	1220	48.031	48
$l_1$	1600 to 1630	62.992 to 64.173	63 to $64 \frac{1}{8}$
$l_2^*$	400 to 450	15.75 to 17.71	$15 \frac{3}{4}$ to $17 \frac{3}{4}$
$l_3$	1000	39.37	$39 \frac{3}{8}$
$l_4^{**}$	400	15.75	$15 \frac{3}{4}$
$l_5$	150	5.905	$5 \frac{7}{8}$
$l_6$	750	29.527	$29 \frac{1}{2}$
$r_1$	40 to 50	1.574 to 1.968	$1 \frac{5}{8}$ to 2
$r_2$	40	1.574	$1 \frac{5}{8}$
$r_3$	385	15.157	$15 \frac{5}{32}$
$r_4$	236	9.297	$9 \frac{5}{16}$
$r_5$	80	3.150	$3 \frac{1}{8}$
$r_6$	10	0.394	$\frac{13}{32}$
$r_7$	75	2.953	3
$r_8$	24	0.945	1
$r_9$	41	1.614	$1 \frac{5}{8}$

\* The distance between the pommels should be continuously adjustable.

\*\* When men are using the apparatus, the zones for sitting upon must be marked by white lines of a width of 10 mm = 0.394 in (exact corresponding value) or  $\frac{13}{32}$  in (permissible rounded value.)