



SLOVENSKI STANDARD

DSIST ETS 300 471:1998/C1:1998

01-Uj [i gh1998

FUX]g_UcdfYa U]b'g]ghYa]'fF9GL!'Grcf]Hj]_cdYbg_] \ 'a cV]b] \ '_ca i b] UW^!
8 cglcdcj b]dfclc_c`ždfUj]UnUgYXYbcgh]]b'i glfYnbYh\ b] bYnbU]bcgh]fUX]g_Y
cdfYa Y'nUdfYbcg'dcXUh_cj `dc`_UbU] \ 'g'gci dcfUWc

Radio Equipment and Systems (RES); Land mobile service; Access protocol, occupation rules and corresponding technical characteristics of radio equipment for the transmission of data on shared channels

Ta slovenski standard je istoveten z: ETS 300 471/C1 Edition 1

ICS:

33.060.20	Sprejemna in oddajna oprema	Receiving and transmitting equipment
-----------	-----------------------------	--------------------------------------

DSIST ETS 300 471:1998/C1:1998	en
--------------------------------	----



CORRIGENDUM

ETS 300 471/C1

April 1996

Source: ETSI TC-RES

Reference: DE/RES-02-14-c1

ICS: 33.060.20

Key words: access, data, mobile, protocol, radio, testing

**This corrigendum modifies
the European Telecommunication Standard ETS 300 471 (1995)**

**Radio Equipment and Systems (RES);
Land mobile service;
Access protocol, occupation rules and corresponding technical
characteristics of radio equipment for the
transmission of data on shared channels**

ETSI

European Telecommunications Standards Institute

ETSI Secretariat

Postal address: F-06921 Sophia Antipolis CEDEX - FRANCE

Office address: 650 Route des Lucioles - Sophia Antipolis - Valbonne - FRANCE

X.400: c=fr, a=atlas, p=etsi, s=secretariat - **Internet:** secretariat@etsi.fr

Tel.: +33 92 94 42 00 - Fax: +33 93 65 47 16

*

Copyright Notification: No part may be reproduced except as authorized by written permission. The copyright and the foregoing restriction extend to reproduction in all media.

© European Telecommunications Standards Institute 1996. All rights reserved.

Foreword

This Corrigendum corrects an editorial error in the first edition of ETS 300 471.

Amendments

Page 13, subclause 7

Delete figure 1 and replace with:

$t_t = 1, \dots, 10$ s step size 100 ms
 $\Delta t_t = 0,1, \dots, 10$ s step size 100 ms

Sharing data/data; users operating independently.
 Observation time $t_o = t_f + nt_i$; $t_f = 60$ ms; $t_i = 50$ ms
 $n =$ random number between 1, 2, ..., m .

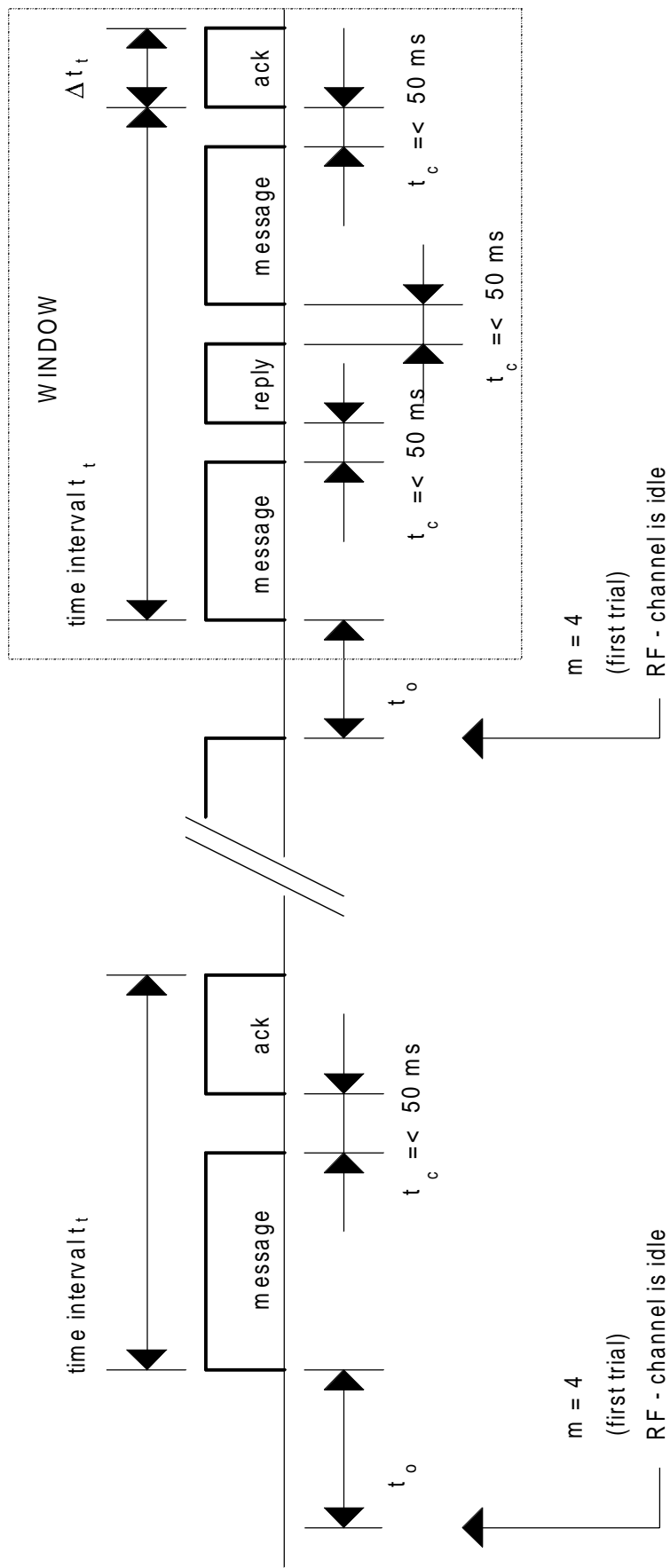


Figure 1: Access protocol sharing data/data

Page 15, subclause 7

Delete figure 3 and replace with:

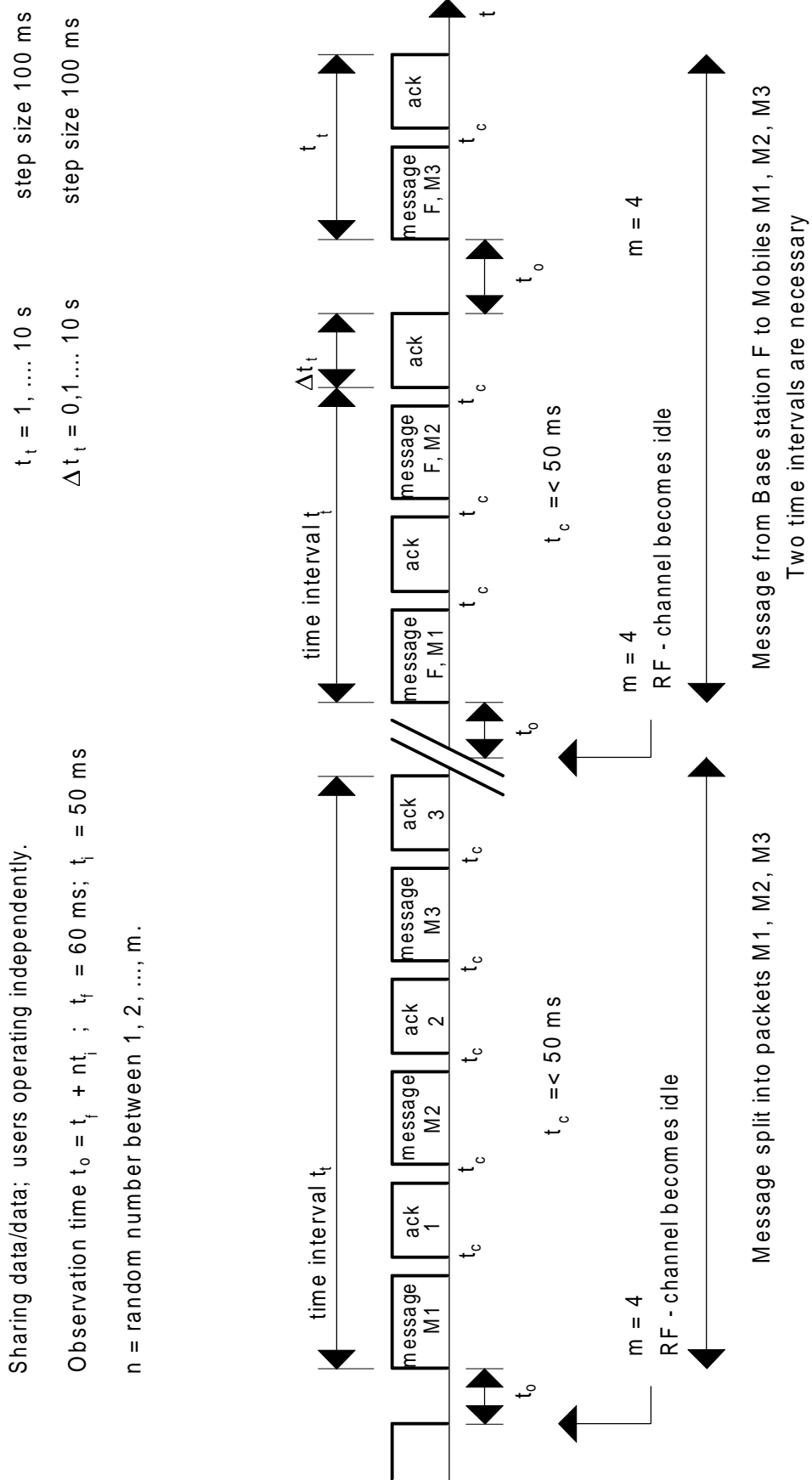


Figure 3: Access protocol sharing data/data

History

Document history			
January 1995	Public Enquiry	PE 78:	1995-01-30 to 1995-05-26
September 1995	Vote	V 87:	1995-09-11 to 1995-11-03
December 1995	First Edition		
April 1996	Corrigendum to First Edition		