



DRAFT AMENDMENT ISO 1496-1:1990/DAmD 6

ISO/TC 104/SC 1

Secretariat: **AFNOR**

Voting begins on:
2006-11-16

Voting terminates on:
2007-04-16

INTERNATIONAL ORGANIZATION FOR STANDARDIZATION • МЕЖДУНАРОДНАЯ ОРГАНИЗАЦИЯ ПО СТАНДАРТИЗАЦИИ • ORGANISATION INTERNATIONALE DE NORMALISATION

Series 1 freight containers — Specification and testing —

Part 1:

General cargo containers for general purposes

AMENDMENT 6: Racking test for 45 ft containers

Conteneurs de la série 1 — Spécifications et essais —

Partie 1: Conteneurs d'usage général pour marchandises diverses

AMENDEMENT 6: Essai de gerbage pour les conteneurs de 45 pieds

STANDARD PREVIEW
(standards.iteh.ai)

ICS 55.180.10

[ISO 1496-1:1990/DAmD 6](https://standards.iteh.ai/catalog/standards/sist/fb3f8514-8d2b-45dd-aa2d-8224671ef64c/iso-1496-1-1990-damd-6)

<https://standards.iteh.ai/catalog/standards/sist/fb3f8514-8d2b-45dd-aa2d-8224671ef64c/iso-1496-1-1990-damd-6>

In accordance with the provisions of Council Resolution 15/1993 this document is circulated in the English language only.

Conformément aux dispositions de la Résolution du Conseil 15/1993, ce document est distribué en version anglaise seulement.

To expedite distribution, this document is circulated as received from the committee secretariat. ISO Central Secretariat work of editing and text composition will be undertaken at publication stage.

Pour accélérer la distribution, le présent document est distribué tel qu'il est parvenu du secrétariat du comité. Le travail de rédaction et de composition de texte sera effectué au Secrétariat central de l'ISO au stade de publication.

THIS DOCUMENT IS A DRAFT CIRCULATED FOR COMMENT AND APPROVAL. IT IS THEREFORE SUBJECT TO CHANGE AND MAY NOT BE REFERRED TO AS AN INTERNATIONAL STANDARD UNTIL PUBLISHED AS SUCH.

IN ADDITION TO THEIR EVALUATION AS BEING ACCEPTABLE FOR INDUSTRIAL, TECHNOLOGICAL, COMMERCIAL AND USER PURPOSES, DRAFT INTERNATIONAL STANDARDS MAY ON OCCASION HAVE TO BE CONSIDERED IN THE LIGHT OF THEIR POTENTIAL TO BECOME STANDARDS TO WHICH REFERENCE MAY BE MADE IN NATIONAL REGULATIONS.

PDF disclaimer

This PDF file may contain embedded typefaces. In accordance with Adobe's licensing policy, this file may be printed or viewed but shall not be edited unless the typefaces which are embedded are licensed to and installed on the computer performing the editing. In downloading this file, parties accept therein the responsibility of not infringing Adobe's licensing policy. The ISO Central Secretariat accepts no liability in this area.

Adobe is a trademark of Adobe Systems Incorporated.

Details of the software products used to create this PDF file can be found in the General Info relative to the file; the PDF-creation parameters were optimized for printing. Every care has been taken to ensure that the file is suitable for use by ISO member bodies. In the unlikely event that a problem relating to it is found, please inform the Central Secretariat at the address given below.

iTeh STANDARD PREVIEW
(standards.iteh.ai)

[ISO 1496-1:1990/DAmD 6](https://standards.iteh.ai/catalog/standards/sist/fb3f8514-8d2b-45dd-aa2d-8224671ef64c/iso-1496-1-1990-damd-6)

<https://standards.iteh.ai/catalog/standards/sist/fb3f8514-8d2b-45dd-aa2d-8224671ef64c/iso-1496-1-1990-damd-6>

Copyright notice

This ISO document is a Draft International Standard and is copyright-protected by ISO. Except as permitted under the applicable laws of the user's country, neither this ISO draft nor any extract from it may be reproduced, stored in a retrieval system or transmitted in any form or by any means, electronic, photocopying, recording or otherwise, without prior written permission being secured.

Requests for permission to reproduce should be addressed to either ISO at the address below or ISO's member body in the country of the requester.

ISO copyright office
Case postale 56 • CH-1211 Geneva 20
Tel. + 41 22 749 01 11
Fax + 41 22 749 09 47
E-mail copyright@iso.org
Web www.iso.org

Reproduction may be subject to royalty payments or a licensing agreement.

Violators may be prosecuted.

Foreword

ISO (the International Organization for Standardization) is a worldwide federation of national standards bodies (ISO member bodies). The work of preparing International Standards is normally carried out through ISO technical committees. Each member body interested in a subject for which a technical committee has been established has the right to be represented on that committee. International organizations, governmental and non-governmental, in liaison with ISO, also take part in the work. ISO collaborates closely with the International Electrotechnical Commission (IEC) on all matters of electrotechnical standardization.

International Standards are drafted in accordance with the rules given in the ISO/IEC Directives, Part 2.

The main task of technical committees is to prepare International Standards. Draft International Standards adopted by the technical committees are circulated to the member bodies for voting. Publication as an International Standard requires approval by at least 75 % of the member bodies casting a vote.

Attention is drawn to the possibility that some of the elements of this document may be the subject of patent rights. ISO shall not be held responsible for identifying any or all such patent rights.

Amendment 6 to ISO 1496-1:1990 was prepared by Technical Committee ISO/TC 104, *Freight containers*, Subcommittee SC 1, *General purpose containers*.

iTeh STANDARD PREVIEW (standards.iteh.ai)

[ISO 1496-1:1990/DAMD 6](https://standards.iteh.ai/catalog/standards/sist/fb3f8514-8d2b-45dd-aa2d-8224671ef64c/iso-1496-1-1990-damd-6)

<https://standards.iteh.ai/catalog/standards/sist/fb3f8514-8d2b-45dd-aa2d-8224671ef64c/iso-1496-1-1990-damd-6>

iTeh STANDARD PREVIEW
(standards.iteh.ai)

ISO 1496-1:1990/DAmD 6

<https://standards.iteh.ai/catalog/standards/sist/fb3f8514-8d2b-45dd-aa2d-8224671ef64c/iso-1496-1-1990-damd-6>

Annex A
(normative)

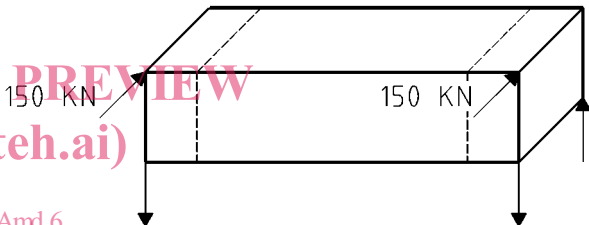
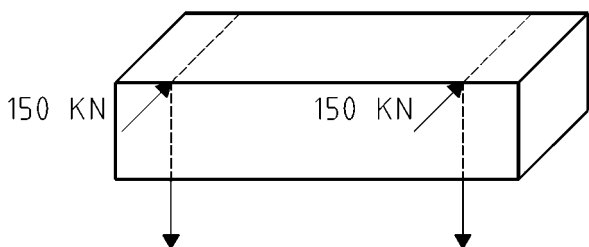
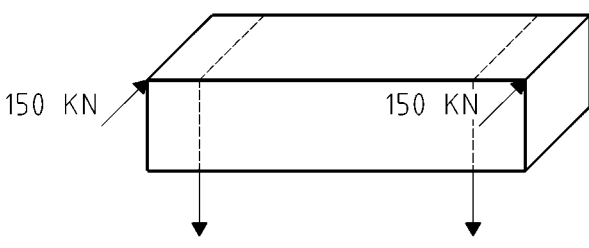
Diagrammatic representation of capabilities, appropriate to all types and sizes of general purpose containers, except when otherwise stated

In order to include 1EEE/1EE containers, the drawings A11, A12, A17 and A18 are to be replaced by the following :

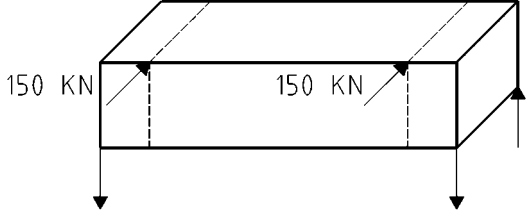
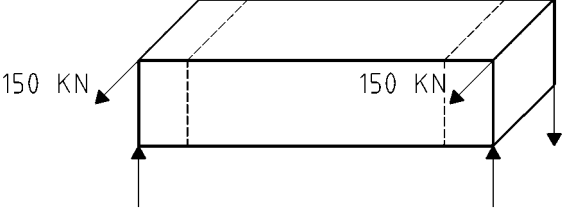
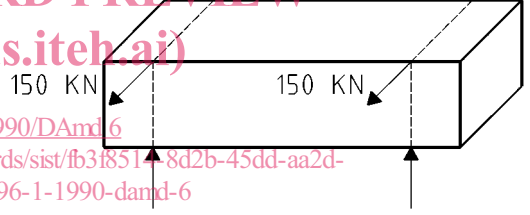
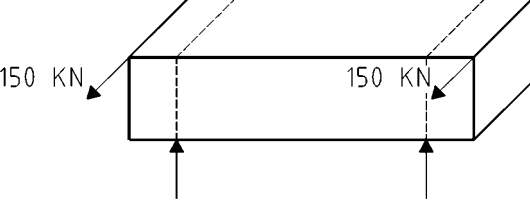
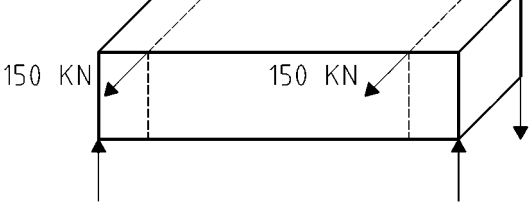
NOTE 1 The externally applied forces shown below are for one end or one side only. The loads shown within the containers represent uniformly distributed internal loads only, and such loads are for the whole container.

NOTE 2 The figures in this annex correspond to the tests described in 6.2 to 6.13 only when marked.

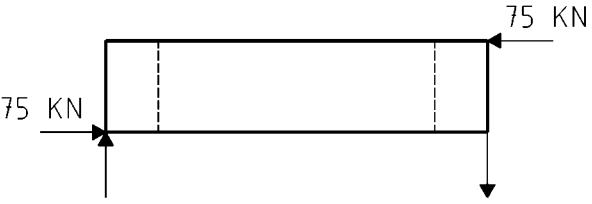
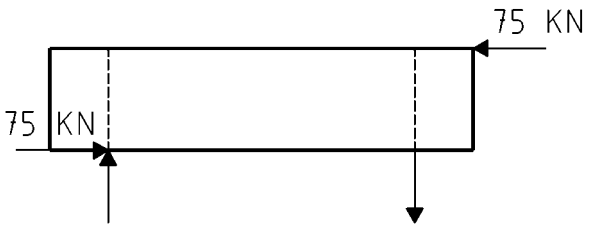

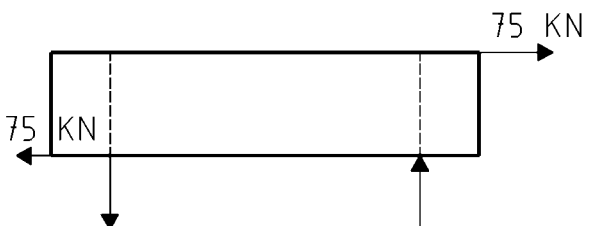
NOTE 3 For definitions of R, P and T, see 6.1.1.

| Figure No. | End elevations | Side elevations |
|---------------------|--|---|
| <p>A.11a</p> | <p>Rigidity (transverse) Test n° 9 Test force = 150 kN</p> |  <p>Forced at 45° position (top corner fitting) and secured at 45° position (bottom corner fitting)</p> |
| <p>A.11b</p> | |  <p>Forced at 40° position (top intermediate fitting) and secured at 40° position (bottom intermediate fitting)</p> |
| <p>A.11c</p> | |  <p>Forced at 45° position (top corner fitting) and secured at 40° position (bottom intermediate fitting)</p> |

"to be continued"

| Figure No. | End elevations | Side elevations |
|------------|--|---|
| A.11d | |  <p data-bbox="810 577 1342 636">Forced at 40° position (top intermediate fitting) and secured at 45° position (bottom corner fitting)</p> |
| A.12a | <p data-bbox="201 759 416 790">Rigidity (transverse)</p> <p data-bbox="201 797 300 826">Test n° 9</p> <p data-bbox="201 833 411 862">Test force = 150 kN</p> |  <p data-bbox="836 927 1316 983">Forced at 45° position (top corner fitting) and secured at 45° position (bottom corner fitting)</p> |
| A.12b | | <p data-bbox="464 990 1123 1099" style="color: red; text-align: center;">iTeh STANDARD PREVIEW (standards.iteh.ai)</p> <p data-bbox="660 1133 927 1162" style="color: red; text-align: center;">ISO 1496-1:1990/DAmD 6</p> <p data-bbox="435 1169 1157 1227" style="color: red; text-align: center;">https://standards.iteh.ai/catalog/standards/sist/fb3f8514-8d2b-45dd-aa2d-8224671ef64c/iso-1496-1-1990-damd-6</p>  <p data-bbox="804 1274 1348 1332">Forced at 40° position (top intermediate fitting) and secured at 40° position (bottom intermediate fitting)</p> |
| A.12c | |  <p data-bbox="804 1624 1348 1682">Forced at 45° position (top corner fitting) and secured at 40° position (bottom intermediate fitting)</p> |
| A.12d | |  <p data-bbox="804 1973 1348 2031">Forced at 40° position (top intermediate fitting) and secured at 45° position (bottom corner fitting)</p> |

"to be continued"

| Figure No. | End elevations | Side elevations |
|------------|---|---|
| A.17a | Rigidity (longitudinal) Test n° 10 Test force = 75 kN |  <p>Forced at 45° position (top corner fitting) and secured at 45° position (bottom corner fitting)</p> |
| A.17b | |  <p>Forced at 45° position (top corner fitting) and secured at 40° position (bottom intermediate fitting)</p> |
| A.18a | <p style="text-align: center;">iTech STANDARD PREVIEW (standards.itech.ai)</p> <p style="text-align: center;">ISO 1496-1:1990/Amd 6 https://standards.itech.ai/catalog/standards/sist/fb3f8514-8d2b-45dd-aa2d-8224671ef64c/iso-1496-1-1990-amd-6</p> |  <p>Forced at 45° position (top corner fitting) and secured at 45° position (bottom corner fitting)</p> |
| A.18b | |  <p>Forced at 45° position (top corner fitting) and secured at 40° position (bottom intermediate fitting)</p> |