



Designation: F18 – 64 (Reapproved 2006)

Standard Specification and Test Method for Evaluation of Glass-to-Metal Headers Used in Electron Devices¹

This standard is issued under the fixed designation F18; the number immediately following the designation indicates the year of original adoption or, in the case of revision, the year of last revision. A number in parentheses indicates the year of last reapproval. A superscript epsilon (ϵ) indicates an editorial change since the last revision or reapproval.

1. Scope

1.1 This specification and test method cover acceptance requirements for headers used in electron devices and describes procedures for determining conformance to these requirements.

1.2 The values stated in inch-pound units are to be regarded as the standard. The values given in parentheses are for information only.

1.3 The following safety hazard caveat pertains only to the test method (Sections 6-12) described in this specification. *This standard does not purport to address all of the safety concerns, if any, associated with its use. It is the responsibility of the user of this standard to establish appropriate safety and health practices and determine the applicability of regulatory limitations prior to use.*

2. Terminology

2.1 Definitions of Terms Specific to This Standard:

2.1.1 The header may be described as an external metal member of cylindrical, oval, or other shape into which is sealed one or more wire leads or metal tubulations through a glass medium. The metal parts may be plated or unplated and the glass may be clear or opaque.

3. Acceptance Requirements

3.1 The headers shall conform to the requirements as specified in 3.1.1 and 3.1.2 when tested in accordance with the prescribed methods of test (Sections 4-12).

3.1.1 Visual:

3.1.1.1 Cracks around the lead shall be restricted axially and radially to one lead diameter. Specimens showing any other type of crack shall be rejected.

3.1.1.2 The glass shall be free of inclusions exceeding one half of the smallest lead diameter. Gas bubbles entirely

enclosed by glass are permissible up to a diameter not exceeding that of the smallest lead.

3.1.1.3 Metallic parts shall be as free of draw lines or grooves longer (by visual estimate) than one half of the seal length as best commercial practice will permit.

3.1.1.4 In the case of clear glass seals, reference is made to the seal area only.

3.1.1.5 In the case of opaque glass seals, reference is made to any portion of the exposed metal parts.

3.1.2 Leak:

3.1.2.1 With the header sealed to the mass spectrometer leak detector, the number of detectable leaks in a sample lot shall be less than the limit agreed upon between the purchaser and the seller.

TEST METHODS

4. Apparatus

4.1 *Microscope*, of 10 power magnification, unless otherwise specified, in combination with suitable incandescent white light source.

4.2 *Mass Spectrometer Leak Detector*, adjusted to respond to a tracer gas such as helium and capable of detecting leaks of 10^{-9} mL/s at standard temperature and pressure.

4.3 *Hood*, having a volume of approximately 250 cm^3 , to cover the test specimen completely with the tracer gas. (The hood should be flushed with the tracer gas for at least 10 s).

4.4 *Fixture*, suitable for making a seal between the header under test and the lead detector. A suggested jig is shown in Fig. 1.

4.5 *Bath*, two constant temperature water baths, and an immersion bath maintained at a temperature of -80°C to -70°C .

4.6 *Torque Fixture*, capable of holding the header in a fixed position and capable of rotating a lead about its axis.

4.7 *Bending Fixture*, capable of rotating the header through an arc of $90, +0 - 5^\circ$, about an axis of the lead under test and through the exit point of the lead from the glass. A weight is attached to the lead at a point close to the extremity.

4.8 *Megohmmeter*, for testing electric insulation.

¹ This specification and test method are under the jurisdiction of ASTM Committee F1 on Electronics and are the direct responsibility of Subcommittee F01.03 on Metallic Materials.

Current edition approved Jan. 1, 2006. Published January 2006. Originally approved in 1961 as F18 – 61 T. Last previous edition approved in 2000 as F18 – 64 (2000). DOI: 10.1520/F0018-64R06.

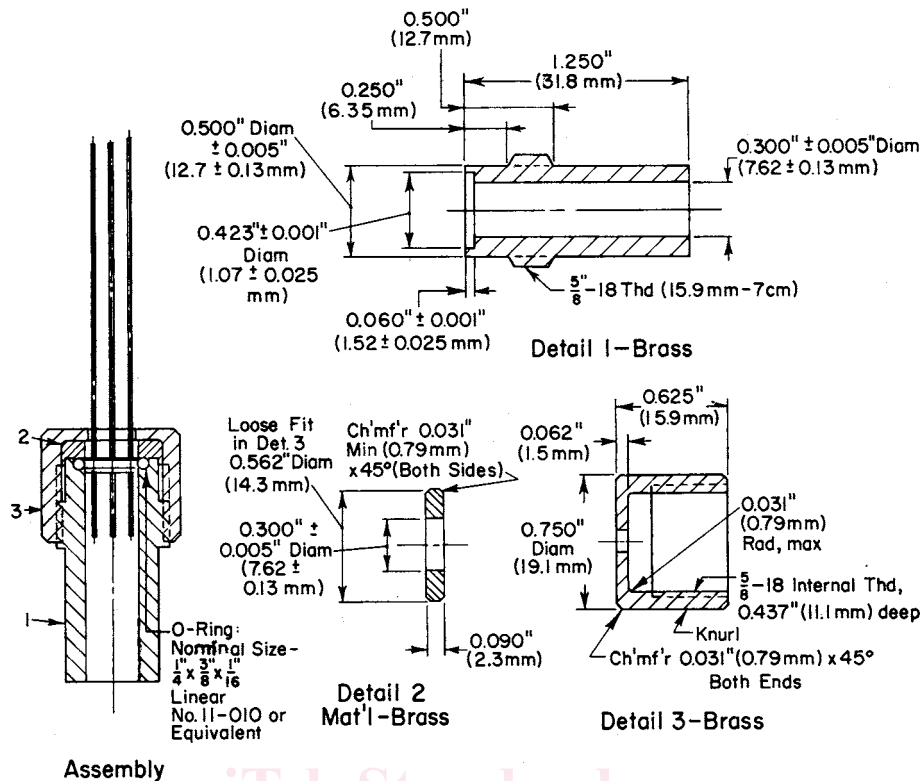


FIG. 1 Fixture for Making a Seal Between the Header Under Test and the Leak Detector

4.9 Furnace, capable of heating parts to a temperature of 450°C maximum.

4.10 Lead Pull Tester, capable of holding the header in a fixed position while applying a load along the axis of the lead in a direction perpendicular to the plane containing the rim of the header. The displacement of one constraining member of the tester shall increase at a constant rate with respect to the second constraining member of the tester.

5. Conditions of Test

5.1 Tests shall be made in the order indicated in Sections 6-12, and on individual specimens unless otherwise specified. Each test shall be performed with the apparatus described in the corresponding paragraph of Section 4. Tests on leads shall be made on portion of the lead external to the finished device unless otherwise specified. Lead dimensions referred to are nominal dimensions agreed upon between the purchaser and the seller.

6. Thermal Shock

6.1 With the header at room temperature immerse it in water held at 98°C, minimum, for 1 min; and quench in water at 1°C, maximum, for 1 min. The volume of the water bath shall be large enough to prevent appreciable change in temperature upon immersion of the header. Repeat this cycle 6 times. Then bake the header in the furnace at 100 \pm 5°C and under a vacuum of less than 10⁻³ torr for a minimum of 12 h. The headers shall conform to the requirements specified in 3.1.

7. Torque

7.1 Leads Less than 0.021 in. (0.53 mm) in Diameter—Clamp the lead to be tested between 2 and 4 diameters away

from the glass. With the header fixed, rotate the lead through 1080 \pm 30° (3 complete revolutions) about its own axis at a uniform rate of 10 to 20 r/min. After completion of the test, the header shall conform to the requirements specified in 3.1.

7.2 Leads or Terminals Greater than 0.021 in. (0.53 mm) in Diameter—To the outer portion of the terminal at a point between 2 and 4 terminal diameters away from the glass, slowly apply a torque of at least 0.445 kgf-cm/(mm of lead diameter) or 250 lbf-in./(.in. of lead diameter)² as shown in Fig. 2. The header shall conform to the requirement specified in 3.1.

8. Lead Fatigue

8.1 Attach to the flexible lead a weight computed from the following equations: For Fe-Ni-Co, Dumet, and Ni-Fe alloys (Fig. 3):

$$2.4 \times (\text{diameter of lead in mm})^2 = \text{kg}$$

or

$$55,000 \times (\text{diameter of lead in in.})^2 = \text{oz}$$

For Fe-Ni-Co clad copper (Fig. 4):

$$1.2 \times (\text{diameter of lead in mm})^2 = \text{kg}$$

or

$$23,000 \times (\text{diameter of lead in in.})^2 = \text{oz}$$

The weighted lead shall be capable of being bent through 5 cycles at a rate of 15 to 20 cpm without breaking. One cycle consists of a rotation of the header from 0 \pm 5° (from the normal position) to 90 + 0 - 5° and returning to 0 \pm 5°.