
**Textile machinery — Opener and cleaner
for staple fibres preparation —
Vocabulary and principles of
construction**

*Matériel pour l'industrie textile — Ouvreuse et nettoyeuse pour la
préparation des fibres discontinues — Vocabulaire et principes de
construction*

iteh standards
(<https://standards.iteh.ai>)
Document Preview

[ISO 28239:2008](https://standards.iteh.ai/catalog/standards/iso/d07ef790-b972-4be9-9fe0-a84d48cc512f/iso-28239-2008)

<https://standards.iteh.ai/catalog/standards/iso/d07ef790-b972-4be9-9fe0-a84d48cc512f/iso-28239-2008>



PDF disclaimer

This PDF file may contain embedded typefaces. In accordance with Adobe's licensing policy, this file may be printed or viewed but shall not be edited unless the typefaces which are embedded are licensed to and installed on the computer performing the editing. In downloading this file, parties accept therein the responsibility of not infringing Adobe's licensing policy. The ISO Central Secretariat accepts no liability in this area.

Adobe is a trademark of Adobe Systems Incorporated.

Details of the software products used to create this PDF file can be found in the General Info relative to the file; the PDF-creation parameters were optimized for printing. Every care has been taken to ensure that the file is suitable for use by ISO member bodies. In the unlikely event that a problem relating to it is found, please inform the Central Secretariat at the address given below.

iTeh Standards
(<https://standards.iteh.ai>)
Document Preview

[ISO 28239:2008](#)

<https://standards.iteh.ai/catalog/standards/iso/d07ef790-b972-4be9-9fe0-a84d48cc512f/iso-28239-2008>



COPYRIGHT PROTECTED DOCUMENT

© ISO 2008

All rights reserved. Unless otherwise specified, no part of this publication may be reproduced or utilized in any form or by any means, electronic or mechanical, including photocopying and microfilm, without permission in writing from either ISO at the address below or ISO's member body in the country of the requester.

ISO copyright office
Case postale 56 • CH-1211 Geneva 20
Tel. + 41 22 749 01 11
Fax + 41 22 749 09 47
E-mail copyright@iso.org
Web www.iso.org

Published in Switzerland

Foreword

ISO (the International Organization for Standardization) is a worldwide federation of national standards bodies (ISO member bodies). The work of preparing International Standards is normally carried out through ISO technical committees. Each member body interested in a subject for which a technical committee has been established has the right to be represented on that committee. International organizations, governmental and non-governmental, in liaison with ISO, also take part in the work. ISO collaborates closely with the International Electrotechnical Commission (IEC) on all matters of electrotechnical standardization.

International Standards are drafted in accordance with the rules given in the ISO/IEC Directives, Part 2.

The main task of technical committees is to prepare International Standards. Draft International Standards adopted by the technical committees are circulated to the member bodies for voting. Publication as an International Standard requires approval by at least 75 % of the member bodies casting a vote.

Attention is drawn to the possibility that some of the elements of this document may be the subject of patent rights. ISO shall not be held responsible for identifying any or all such patent rights.

ISO 28239 was prepared by Technical Committee ISO/TC 72, *Textile machinery and accessories*, Subcommittee SC 1, *Spinning preparatory, spinning, twisting and winding machinery and accessories*.

iteh Standards
(<https://standards.iteh.ai>)
Document Preview

[ISO 28239:2008](https://standards.iteh.ai/catalog/standards/iso/d07ef790-b972-4be9-9fe0-a84d48cc512f/iso-28239-2008)

<https://standards.iteh.ai/catalog/standards/iso/d07ef790-b972-4be9-9fe0-a84d48cc512f/iso-28239-2008>

Textile machinery — Opener and cleaner for staple fibres preparation — Vocabulary and principles of construction

Scope

This International Standard establishes a vocabulary of terms related to, and the principles of construction of, openers and cleaners used in the textile industry in the preparation for spinning of cotton and other staple fibres.

Terms and definitions

1 Basic terms

1.1

opener

machine with horizontally positioned opening roll, for opening of fibre material

NOTE The opening roll concerned is **opening roll 1** (3.4). See Annex A for construction variations.

1.2

cleaner

machine with horizontally positioned opening rolls, for opening and cleaning of fibre material

NOTE The opening rolls concerned are **opening roll 1** (3.4), **opening roll 2** (3.5) and **opening roll 3** (3.6). See Annex A for construction variations.

2 Machine sides, dimensions (see Figure 1)

2.1

right side

R

machine side located to the right as seen facing toward the direction of fibre flow

NOTE See also ISO 92.

2.2

left side

L

machine side located to the left as seen facing toward the direction of fibre flow

NOTE See also ISO 92.

2.3

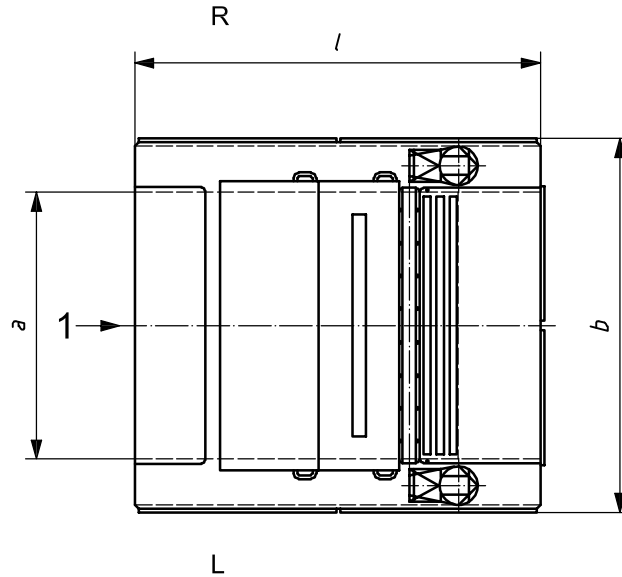
work flow direction

material flow

direction of fibre flow

**2.4
drive side**

side equipped with a cylinder drive



Key

- a clear distance between front and back plate (inner distance between machine frames)
- b machine width (over casing)
- l machine length (without deposit system)
- R right side
- L left side
- 1 feed area (rear)

Figure 1 — Machine sides, dimensions

<https://standards.iteh.ai/catalog/standards/iso/d07ef790-b972-4be9-9fe0-a84d48cc512f/iso-28239-2008>

3 Machine components (see Figures 2 and 3)

**3.1
feed lattice**

feed belt for feeding fibre material to the **feed roll** (3.3)

**3.2
precondensing roll**

roll for condensing fibre material for the feed process

**3.3
feed roll**

roll for transport and for clamping of fibre material, for feeding **opening roll 1** (3.4)

**3.4
opening roll 1**

roll with pins that disengages tuft material from the stopped stroke

**3.5
opening roll 2**

opening and transfer roll, equipped with clothing