
**Face and shoulder milling cutters with
indexable inserts — Dimensions**

*Fraises à surfacer et à surfacer et dresser, à plaquettes amovibles —
Dimensions*

**iTeh STANDARD PREVIEW
(standards.iteh.ai)**

[ISO 6462:2011](https://standards.iteh.ai/catalog/standards/sist/5844fbf3-b7d6-418c-805a-8d08e86109a5/iso-6462-2011)

<https://standards.iteh.ai/catalog/standards/sist/5844fbf3-b7d6-418c-805a-8d08e86109a5/iso-6462-2011>



iTeh STANDARD PREVIEW
(standards.iteh.ai)

ISO 6462:2011

<https://standards.iteh.ai/catalog/standards/sist/5844fbf3-b7d6-418c-805a-8d08e86109a5/iso-6462-2011>



COPYRIGHT PROTECTED DOCUMENT

© ISO 2011

All rights reserved. Unless otherwise specified, no part of this publication may be reproduced or utilized in any form or by any means, electronic or mechanical, including photocopying and microfilm, without permission in writing from either ISO at the address below or ISO's member body in the country of the requester.

ISO copyright office
Case postale 56 • CH-1211 Geneva 20
Tel. + 41 22 749 01 11
Fax + 41 22 749 09 47
E-mail copyright@iso.org
Web www.iso.org

Published in Switzerland

Contents

Page

Foreword	iv
1 Scope	1
2 Normative references	1
3 Style	1
4 Dimensions	2
4.1 Holes for lifting devices	2
4.2 Style A — Tenon drive — Hexagon socket head cap screw	2
4.3 Style B — Tenon drive — Cutter retaining screw	4
4.4 Style C — Mounted on centring arbor having a 7/24 taper	6
5 Material	8
Annex A (informative) Abbreviated terms used related to ISO/TS 13399-3, ISO/TS 13399-4 and ISO/TS 13399-50	9
Bibliography	11

iTeh STANDARD PREVIEW
(standards.iteh.ai)

[ISO 6462:2011](#)

<https://standards.iteh.ai/catalog/standards/sist/5844fbf3-b7d6-418c-805a-8d08e86109a5/iso-6462-2011>

Foreword

ISO (the International Organization for Standardization) is a worldwide federation of national standards bodies (ISO member bodies). The work of preparing International Standards is normally carried out through ISO technical committees. Each member body interested in a subject for which a technical committee has been established has the right to be represented on that committee. International organizations, governmental and non-governmental, in liaison with ISO, also take part in the work. ISO collaborates closely with the International Electrotechnical Commission (IEC) on all matters of electrotechnical standardization.

International Standards are drafted in accordance with the rules given in the ISO/IEC Directives, Part 2.

The main task of technical committees is to prepare International Standards. Draft International Standards adopted by the technical committees are circulated to the member bodies for voting. Publication as an International Standard requires approval by at least 75 % of the member bodies casting a vote.

Attention is drawn to the possibility that some of the elements of this document may be the subject of patent rights. ISO shall not be held responsible for identifying any or all such patent rights.

ISO 6462 was prepared by Technical Committee ISO/TC 29, *Small tools*, Subcommittee SC 9, *Tools with cutting edges made of hard cutting materials*.

This second edition cancels and replaces the first edition (ISO 6462:1983), which has been technically revised.

iTeh STANDARD PREVIEW
(standards.iteh.ai)

ISO 6462:2011
<https://standards.iteh.ai/catalog/standards/sist/5844fbf3-b7d6-418c-805a-8d08e86109a5/iso-6462-2011>

Face and shoulder milling cutters with indexable inserts — Dimensions

1 Scope

This International Standard specifies the dimensions of face milling cutters with indexable inserts.

The form and dimensions of the inserts are left to the discretion of the manufacturer.

2 Normative references

The following referenced documents are indispensable for the application of this document. For dated references, only the edition cited applies. For undated references, the latest edition of the referenced document (including any amendments) applies.

ISO 240, *Milling cutters — Interchangeability dimensions for cutter arbors or cutter mandrels*

ISO 2780, *Milling cutters with tenon drive — Interchangeability dimensions for cutter arbors — Metric series*

ISO 2940-1, *Milling cutters mounted on centring arbors having a 7/24 taper — Fitting dimensions Centring arbors*

<https://standards.iteh.ai/catalog/standards/sist/58441bf3-b7d6-418c-805a-8d08c86109a5/iso-6462-2011>

ISO 3365, *Indexable hardmetal (carbide) inserts with wiper edges, without fixing hole — Dimensions*

ISO 11529-2, *Milling cutters — Designation — Part 2: Shank-type and bore-type milling cutters with indexable inserts*

3 Style

Milling cutters with indexable inserts shall have cutting edge angles, κ_r , of 45°, 60°, 75° and 90° and the following styles:

- style A with tenon drive and hexagon socket head cap screw;
- style B with tenon drive and cutter retaining screw with interchangeability dimensions in accordance with ISO 2780;
- style C mounted on centring arbor having a 7/24 taper with interchangeability dimensions in accordance with ISO 2940-1.

NOTE 1 Cutting edge angles other than those listed in this clause are optional as long as they fit into the designation system according to ISO 11529-2.

NOTE 2 The abbreviated terms for the dimensions are taken from ISO/TS 13399-3.

4 Dimensions

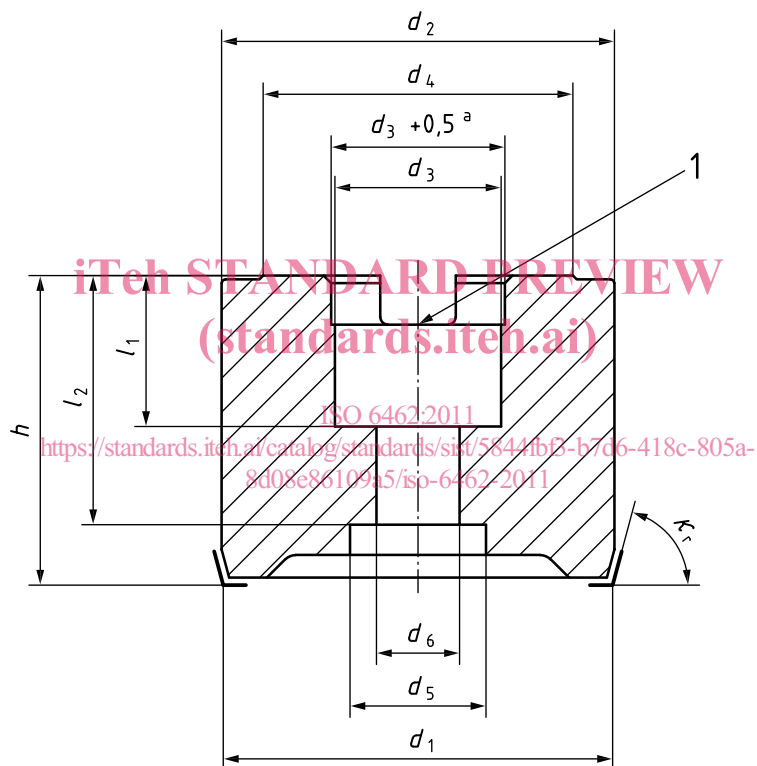
4.1 Holes for lifting devices

For milling cutters of diameter, d_1 , equal to or above 250 mm, threaded holes for lifting devices may be provided at the discretion of the manufacturer. The number of holes and their position is at the discretion of the manufacturer, however their minimum dimensions shall be the following:

- for milling cutters where $d_1 = 250$ mm or 315 mm, threaded holes M12 \times 27;
- for milling cutters where $d_1 = 400$ mm or 500 mm, threaded holes M16 \times 34.

NOTE National safety regulations can be applicable.

4.2 Style A — Tenon drive — Hexagon socket head cap screw



Key

- 1 slot in accordance with the metric series of ISO 240
- ^a A conical shape between d_3 and $d_3 + 0,5$, keeping the same depth, is optional.

Figure 1 — Style A

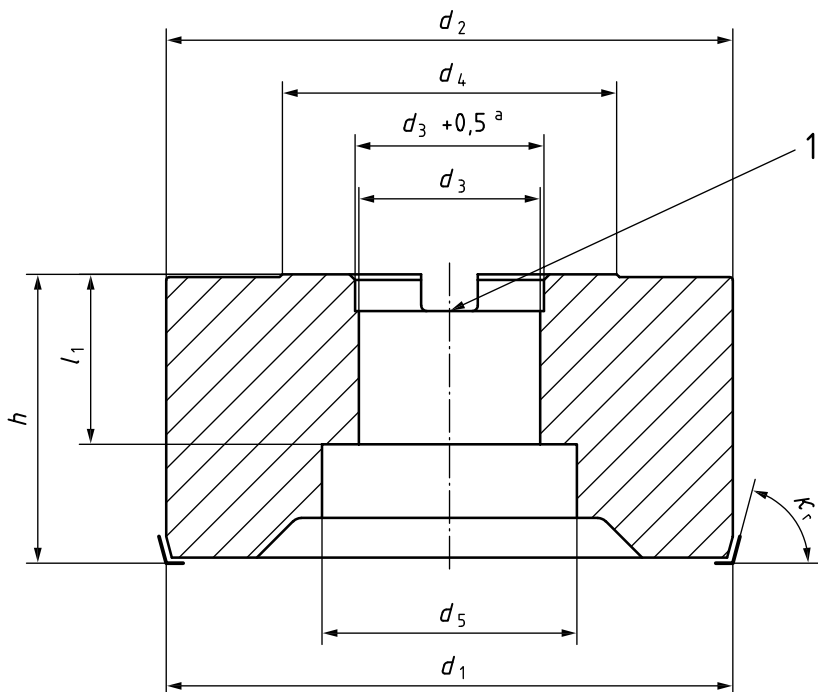
Table 1 — Dimensions for style A

Dimensions in millimetres

Designation in accordance with ISO 11529-2 ^a	d_1 js16	κ_r	d_2	d_3 H7	d_4 min.	d_5 min.	d_6 js13	h $\pm 0,15$	l_1	l_2 max.	Retaining screw
..45.040R(L).....P16	40	45°	—	16	33	14	9	40	18	31	M8
..60.040R(L).....P16		60°	—								
..75.040R(L).....P16		75°	—								
..90.040R(L).....P16		90°	$d_2 < d_1$								
..45.050R(L).....P22	50	45°	—	22	41	18	11	40	20	33	M10
..60.050R(L).....P22		60°	—								
..75.050R(L).....P22		75°	—								
..90.050R(L).....P22		90°	$d_2 < d_1$								
..45.063R(L).....P22	63	45°	—	27	49	20	14	50	22	37	M12
..60.063R(L).....P22		60°	—								
..75.063R(L).....P22		75°	—								
..90.063R(L).....P22		90°	$d_2 < d_1$								
..45.080R(L).....P27	80	45°	—	32	59	27	18	50	25	33	M16
..60.080R(L).....P27		60°	—								
..75.080R(L).....P27		75°	—								
..90.080R(L).....P27		90°	$d_2 < d_1$								
..45.100R(L).....P32	100	45°	—	32	59	27	18	50	25	33	M16
..60.100R(L).....P32		60°	—								
..75.100R(L).....P32		75°	—								
..90.100R(L).....P32		90°	$d_2 < d_1$								

^a Instead of the points shown in the designation, the letters and numbers shall be placed in accordance with ISO 11529-2.

4.3 Style B — Tenon drive — Cutter retaining screw



Key

1 slot in accordance with the metric series of ISO 240

^a A conical shape between d_3 and $d_3 + 0,5$, keeping the same depth, is optional.

iTeh STANDARD PREVIEW
(standards.iteh.ai)

ISO 6462:2011

<https://standards.iteh.ai/standards/ISO/6462/5844fb3-b7d6-418c-805a-8d08e86109a5/iso-6462-2011>
Figure 2 — Style B

Table 2 — Dimensions for style B

Dimensions in millimetres

Designation in accordance with ISO 11529-2 ^a	d_1	κ_r	d_2	d_3	d_4	d_5	h	l_1		Retaining screw
	js16			H7	min.	min.	$\pm 0,15$	min.	max.	
..45.080R(L).....S27	80	45°	—	27	49	38	50	22	30	M12
..60.080R(L).....S27		60°	—							
..75.080R(L).....S27		75°	—							
..90.080R(L).....S27		90°	$d_2 < d_1$							
..45.100R(L).....S32	100	45°	—	32	59	45	50	25	32	M16
..60.100R(L).....S32		60°	—							
..75.100R(L).....S32		75°	—							
..90.100R(L).....S32		90°	$d_2 < d_1$							
..45.125R(L).....S40	125	45°	—	40	71	56	63	28	35	M20
..60.125R(L).....S40		60°	—							
..75.125R(L).....S40		75°	—							
..90.125R(L).....S40		90°	$d_2 < d_1$							
..45.160R(L).....S40	160	45°	—	40	90	56	63	28	35	M20
..60.160R(L).....S40		60°	—							
..75.160R(L).....S40		75°	—							
..90.160R(L).....S40		90°	$d_2 < d_1$							

^a Instead of the points shown in the designation, the letters and numbers shall be placed in accordance with ISO 11529-2.