



Designation: E 1820 – 05a

## Standard Test Method for Measurement of Fracture Toughness<sup>1</sup>

This standard is issued under the fixed designation E 1820; the number immediately following the designation indicates the year of original adoption or, in the case of revision, the year of last revision. A number in parentheses indicates the year of last approval. A superscript epsilon ( $\epsilon$ ) indicates an editorial change since the last revision or reapproval.

### 1. Scope

1.1 This test method covers procedures and guidelines for the determination of fracture toughness of metallic materials using the following parameters:  $K$ ,  $J$ , and CTOD ( $\delta$ ). Toughness can be measured in the  $R$ -curve format or as a point value. The fracture toughness determined in accordance with this test method is for the opening mode (Mode I) of loading.

1.2 The recommended specimens are single-edge bend, [SE(B)], compact, [C(T)], and disk-shaped compact, [DC(T)]. All specimens contain notches that are sharpened with fatigue cracks.

1.2.1 Specimen dimensional (size) requirements vary according to the fracture toughness analysis applied. The guidelines are established through consideration of material toughness, material flow strength, and the individual qualification requirements of the toughness value per values sought.

1.3 The values stated in SI units are to be regarded as the standard. The values given in parentheses are for information only.

1.4 *This standard does not purport to address all of the safety concerns, if any, associated with its use. It is the responsibility of the user of this standard to establish appropriate safety and health practices and determine the applicability of regulatory limitations prior to use.*

NOTE 1—Other standard methods for the determination of fracture toughness using the parameters  $K$ ,  $J$ , and CTOD are contained in Test Methods E 399, E 813, E 1152, E 1290, and E 1737. This test method was developed to provide a common method for determining all applicable toughness parameters from a single test.

### 2. Referenced Documents

#### 2.1 ASTM Standards:<sup>2</sup>

- E 4 Practices for Force Verification of Testing Machines
- E 8 Test Methods for Tension Testing of Metallic Materials

<sup>1</sup> This test method is under the jurisdiction of ASTM Committee E08 on Fatigue and Fracture and is the direct responsibility of Subcommittee E08.08 on Elastic-Plastic Fracture Mechanics Technology.

Current edition approved Dec. 1, 2005. Published January 2006. Originally approved in 1996. Last previous edition approved in 2005 as E 1820 – 05.

<sup>2</sup> For referenced ASTM standards, visit the ASTM website, [www.astm.org](http://www.astm.org), or contact ASTM Customer Service at [service@astm.org](mailto:service@astm.org). For *Annual Book of ASTM Standards* volume information, refer to the standard's Document Summary page on the ASTM website.

E 21 Test Methods for Elevated Temperature Tension Tests of Metallic Materials

E 399 Test Method for Linear-Elastic Plane-Strain Fracture Toughness  $K_{Ic}$  of Metallic Materials

E 1290 Test Method for Crack-Tip Opening Displacement (CTOD) Fracture Toughness Measurement

E 1823 Terminology Relating to Fatigue and Fracture Testing

E 1921 Test Method for Determination of Reference Temperature,  $T_o$ , for Ferritic Steels in the Transition Range

E 1942 Guide for Evaluating Data Acquisition Systems Used in Cyclic Fatigue and Fracture Mechanics Testing

### 3. Terminology

3.1 Terminology E 1823 is applicable to this test method.

3.2 Definitions:

3.2.1 *compliance* [ $LF^{-1}$ ],  $n$ —the ratio of displacement increment to force increment.

3.2.2 *crack displacement* [ $L$ ],  $n$ —the separation vector between two points (on the surfaces of a deformed crack) that were coincident on the surfaces of an ideal crack in the undeformed condition.

3.2.2.1 *Discussion*—In this practice, displacement,  $v$ , is the total displacement measured by clip gages or other devices spanning the crack faces.

3.2.3 *crack extension*,  $\Delta a$  [ $L$ ],  $n$ —an increase in crack size.

3.2.4 *crack-extension force*,  $G$  [ $FL^{-1}$  or  $FLL^{-2}$ ],  $n$ —the elastic energy per unit of new separation area that is made available at the front of an ideal crack in an elastic solid during a virtual increment of forward crack extension.

3.2.5 *crack size*,  $a$  [ $L$ ],  $n$ —a lineal measure of a principal planar dimension of a crack. This measure is commonly used in the calculation of quantities descriptive of the stress and displacement fields, and is often also termed crack length or depth.

3.2.5.1 *Discussion*—In practice, the value of  $a$  is obtained from procedures for measurement of physical crack size,  $a_p$ , original crack size,  $a_o$ , and effective crack size,  $a_e$ , as appropriate to the situation being considered.

3.2.6 *crack-tip opening displacement (CTOD)*,  $\delta$  [ $L$ ],  $n$ —the crack displacement due to elastic and plastic deformation at variously defined locations near the original crack tip.

3.2.6.1 *Discussion*—In this test method, CTOD is the displacement of the crack surfaces normal to the original (unloaded) crack plane at the tip of the fatigue precrack,  $a_o$ . In this test method, CTOD is calculated at the original crack length,  $a_o$ , from measurements made from the force versus displacement record.

3.2.6.2 *Discussion*—In CTOD testing,  $\delta_{Ic}$  [L] is a value of CTOD near the onset of slow stable crack extension, here defined as occurring at  $\Delta a_p = 0.2$  mm (0.008 in.) +  $0.7\delta_{Ic}$ .

3.2.6.3 *Discussion*—In CTOD testing,  $\delta_c$  [L] is the value of CTOD at the onset of unstable crack extension (see 3.2.28) or pop-in (see 3.2.17) when  $\Delta a_p < 0.2$  mm (0.008 in.) +  $0.7\delta_c$ . The  $\delta_c$  corresponds to the force  $P_c$  and clip-gage displacement  $v_c$  (see Fig. 1). It may be size-dependent and a function of test specimen geometry.

3.2.6.4 *Discussion*—In CTOD testing,  $\delta_u$  [L] is the value of CTOD at the onset of unstable crack extension (see 3.2.28) or pop-in (see 3.2.17) when the event is preceded by  $\Delta a_p > 0.2$  mm (0.008 in.) +  $0.7\delta_u$ . The  $\delta_u$  corresponds to the force  $P_u$  and the clip gage displacement  $v_u$  (see Fig. 1). It may be size-dependent and a function of test specimen geometry. It can be useful to define limits on ductile fracture behavior.

3.2.6.5 *Discussion*—In CTOD testing,  $\delta_c^*$  [L] characterizes the CTOD fracture toughness of materials at fracture instability prior to the onset of significant stable tearing crack extension. The value of  $\delta_c^*$  determined by this test method represents a measure of fracture toughness at instability without significant stable crack extension that is independent of in-plane dimensions. However, there may be a dependence of toughness on thickness (length of crack front).

3.2.7 *effective thickness*,  $B_e$  [L],  $n$ —for side-grooved specimens  $B_e = B - (B - B_N)^2/B$ . This is used for the elastic unloading compliance measurement of crack length.

3.2.7.1 *Discussion*—This definition is different from the definition of effective thickness in Test Method E 813.

3.2.8 *effective yield strength*,  $\sigma_Y$  [ $FL^{-2}$ ],  $n$ —an assumed value of uniaxial yield strength that represents the influence of plastic yielding upon fracture test parameters.

3.2.8.1 *Discussion*—It is calculated as the average of the 0.2 % offset yield strength  $\sigma_{YS}$ , and the ultimate tensile strength,  $\sigma_{TS}$  as follows:

$$\sigma_Y = \frac{(\sigma_{YS} + \sigma_{TS})}{2} \quad (1)$$

3.2.8.2 *Discussion*—In estimating  $\sigma_Y$ , influences of testing conditions, such as loading rate and temperature, should be considered.

3.2.9 *J-integral*,  $J$  [ $FL^{-1}$ ],  $n$ —a mathematical expression, a line or surface integral that encloses the crack front from one crack surface to the other, used to characterize the local stress-strain field around the crack front.

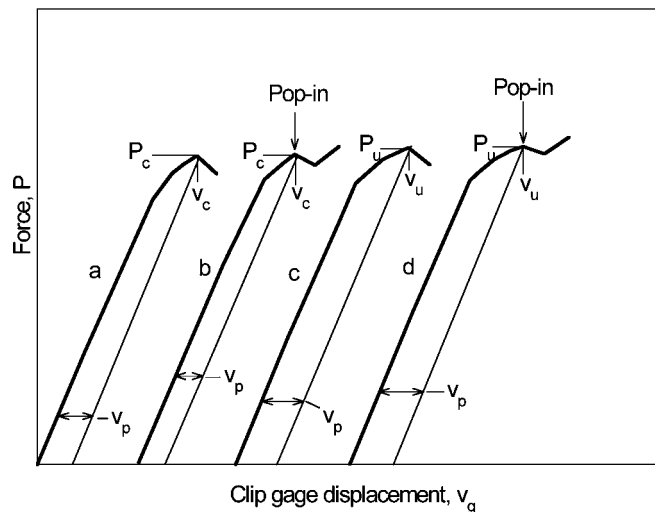
3.2.9.1 *Discussion*—The  $J$ -integral expression for a two-dimensional crack, in the  $x$ - $z$  plane with the crack front parallel to the  $z$ -axis, is the line integral as follows:

$$J = \int_{\Gamma} \left( W dy - \bar{T} \cdot \frac{\partial \bar{u}}{\partial x} ds \right) \quad (2)$$

where:

- $W$  = loading work per unit volume or, for elastic bodies, strain energy density,
- $\Gamma$  = path of the integral, that encloses (that is, contains) the crack tip,
- $ds$  = increment of the contour path,
- $\bar{T}$  = outward traction vector on  $ds$ ,
- $\bar{u}$  = displacement vector at  $ds$ ,
- $x, y, z$  = rectangular coordinates, and
- $\bar{T} \cdot \frac{\partial \bar{u}}{\partial x} ds$  = rate of work input from the stress field into the area enclosed by  $\Gamma$ .

3.2.9.2 *Discussion*—The value of  $J$  obtained from this equation is taken to be path-independent in test specimens commonly used, but in service components (and perhaps in test specimens) caution is needed to adequately consider loading



NOTE 1—Construction lines drawn parallel to the elastic loading slope to give  $v_p$ , the plastic component of total displacement,  $v_g$ .

NOTE 2—In curves b and d, the behavior after pop-in is a function of machine/specimen compliance, instrument response, etc.

**FIG. 1 Types of Force versus Clip Gage Displacement Records**

interior to  $\Gamma$  such as from rapid motion of the crack or the service component, and from residual or thermal stress.

3.2.9.3 *Discussion*—In elastic (linear or nonlinear) solids, the  $J$ -integral equals the crack-extension force,  $G$ . (See *crack extension force*.)

3.2.10  $J_c$  [ $FL^{-1}$ ]—The property  $J_c$  determined by this test method characterizes the fracture toughness of materials at fracture instability prior to the onset of significant stable tearing crack extension. The value of  $J_c$  determined by this test method represents a measure of fracture toughness at instability without significant stable crack extension that is independent of in-plane dimensions; however, there may be a dependence of toughness on thickness (length of crack front).

3.2.11  $J_u$  [ $FL^{-1}$ ]—The quantity  $J_u$  determined by this test method measures fracture instability after the onset of significant stable tearing crack extension. It may be size-dependent and a function of test specimen geometry. It can be useful to define limits on ductile fracture behavior.

3.2.12 *net thickness*,  $B_N$  [ $L$ ],  $n$ —distance between the roots of the side grooves in side-grooved specimens.

3.2.13 *original crack size*,  $a_o$  [ $L$ ],  $n$ —the physical crack size at the start of testing.

3.2.13.1 *Discussion*—In this test method,  $a_{oq}$  is used to denote original crack size estimated from compliance.

3.2.14 *original remaining ligament*,  $b_o$  [ $L$ ],  $n$ —distance from the original crack front to the back edge of the specimen, that is ( $b_o = W - a_o$ ).

3.2.15 *physical crack size*,  $a_p$  [ $L$ ],  $n$ —the distance from a reference plane to the observed crack front. This distance may represent an average of several measurements along the crack front. The reference plane depends on the specimen form, and it is normally taken to be either the boundary, or a plane containing either the load line or the centerline of a specimen or plate. The reference plane is defined prior to specimen deformation.

3.2.16 *plane-strain fracture toughness*,  $K_{Ic}$  [ $FL^{-3/2}$ ],  $J_{Ic}$  [ $FL^{-1}$ ],  $K_{JIC}$  [ $FL^{-3/2}$ ],  $n$ —the crack-extension resistance under conditions of crack-tip plane-strain.

3.2.16.1 *Discussion*—For example, in Mode I for slow rates of loading and negligible plastic-zone adjustment, plane-strain fracture toughness is the value of the stress-intensity factor designated  $K_{Ic}$  [ $FL^{-3/2}$ ] as measured using the operational procedure (and satisfying all of the qualification requirements) specified in this test method, which provides for the measurement of crack-extension resistance at the start of crack extension and provides operational definitions of crack-tip sharpness, start of crack extension, and crack-tip plane-strain.

3.2.16.2 *Discussion*—For example, in Mode I for slow rates of loading and substantial plastic deformation, plane-strain fracture toughness is the value of the  $J$ -integral designated  $J_{Ic}$  [ $FL^{-1}$ ] as measured using the operational procedure (and satisfying all of the qualification requirements) specified in this test method, that provides for the measurement of crack-extension resistance near the onset of stable crack extension.

3.2.16.3 *Discussion*—For example, in Mode I for slow rates of loading, plane-strain fracture toughness is the value of the stress intensity designated  $K_{JIC}$  [ $FL^{-3/2}$ ] calculated from  $J_{Ic}$  using the equation (and satisfying all of the qualification

requirements) specified in this test method, that provides for the measurement of crack-extension resistance near the onset of stable crack extension under dominant elastic conditions.<sup>(1)</sup><sup>3</sup>

3.2.17 *pop-in*,  $n$ —a discontinuity in the force versus clip gage displacement record. The record of a pop-in shows a sudden increase in displacement and, generally a decrease in force. Subsequently, the displacement and force increase to above their respective values at pop-in.

3.2.18 *R-curve or J-R curve*,  $n$ —a plot of crack extension resistance as a function of stable crack extension,  $\Delta a_p$  or  $\Delta a_e$ .

3.2.18.1 *Discussion*—In this test method, the  $J$ -R curve is a plot of the far-field  $J$ -integral versus the physical crack extension,  $\Delta a_p$ . It is recognized that the far-field value of  $J$  may not represent the stress-strain field local to a growing crack.

3.2.19 *remaining ligament*,  $b$  [ $L$ ],  $n$ —distance from the physical crack front to the back edge of the specimen, that is ( $b = W - a_p$ ).

3.2.20 *specimen center of pin hole distance*,  $H^*$  [ $L$ ],  $n$ —the distance between the center of the pin holes on a pin-loaded specimen.

3.2.21 *specimen gage length*,  $d$  [ $L$ ],  $n$ —the distance between the points of displacement measure (for example, clip gage, gage length).

3.2.22 *specimen span*,  $S$  [ $L$ ],  $n$ —the distance between specimen supports.

3.2.23 *specimen thickness*,  $B$  [ $L$ ],  $n$ —the side-to-side dimension of the specimen being tested.

3.2.24 *specimen width*,  $W$  [ $L$ ],  $n$ —a physical dimension on a test specimen measured from a reference position such as the front edge in a bend specimen or the load line in the compact specimen to the back edge of the specimen.

3.2.25 *stable crack extension* [ $L$ ],  $n$ —a displacement-controlled crack extension beyond the stretch-zone width (see 3.2.27). The extension stops when the applied displacement is held constant.

3.2.26 *stress-intensity factor*,  $K$ ,  $K_I$ ,  $K_2$ ,  $K_3$ ,  $K_b$ ,  $K_{II}$ ,  $K_{III}$  [ $FL^{-3/2}$ ],  $n$ —the magnitude of the ideal-crack-tip stress field (stress-field singularity) for a particular mode in a homogeneous, linear-elastic body.

3.2.26.1 *Discussion*—Values of  $K$  for the Modes 1, 2, and 3 are given by the following equations:

$$K_1 = \lim_{r \rightarrow 0} [\sigma_{yy} (2\pi r)^{1/2}] \quad (3)$$

$$K_2 = \lim_{r \rightarrow 0} [\tau_{xy} (2\pi r)^{1/2}] \quad (4)$$

$$K_3 = \lim_{r \rightarrow 0} [\tau_{yz} (2\pi r)^{1/2}] \quad (5)$$

where  $r$  = distance directly forward from the crack tip to a location where the significant stress is calculated.

3.2.26.2 *Discussion*—In this test method, Mode 1 or Mode I is assumed. See Terminology E 1823 for definition of mode.

3.2.27 *stretch-zone width*,  $SZW$  [ $L$ ],  $n$ —the length of crack extension that occurs during crack-tip blunting, for example, prior to the onset of unstable brittle crack extension, pop-in, or slow stable crack extension. The SZW is in the same plane as the original (unloaded) fatigue precrack and refers to an extension beyond the original crack size.

<sup>3</sup> The boldface numbers in parentheses refer to the list of references at the end of this standard.



3.2.28 *unstable crack extension [L], n*—an abrupt crack extension that occurs with or without prior stable crack extension in a standard test specimen under crosshead or clip gage displacement control.

#### 4. Summary of Test Method

4.1 The objective of this test method is to load a fatigue precracked test specimen to induce either or both of the following responses (1) unstable crack extension, including significant pop-in, referred to as “fracture instability” in this test method; (2) stable crack extension, referred to as “stable tearing” in this test method. Fracture instability results in a single point-value of fracture toughness determined at the point of instability. Stable tearing results in a continuous fracture toughness versus crack-extension relationship (*R*-curve) from which significant point-values may be determined. Stable tearing interrupted by fracture instability results in an *R*-curve up to the point of instability.

4.2 This test method requires continuous measurement of force versus load-line displacement and crack mouth opening displacement. If any stable tearing response occurs, then an *R*-curve is developed and the amount of slow-stable crack extension shall be measured.

4.3 Two alternative procedures for measuring crack extension are presented, the basic procedure and the resistance curve procedure. The basic procedure involves physical marking of the crack advance and multiple specimens used to develop a plot from which a single point initiation toughness value can be evaluated. The resistance curve procedure is an elastic-compliance method where multiple points are determined from a single specimen. In the latter case, high precision of signal resolution is required. These data can also be used to develop an *R*-curve. Other procedures for measuring crack extension are allowed.

4.4 The commonality of instrumentation and recommended testing procedure contained herein permits the application of data to more than one method of evaluating fracture toughness. **Annex A4-Annex A11** define the various data treatment options that are available, and these should be reviewed to optimize data transferability.

4.5 Data that are generated following the procedures and guidelines contained in this test method are labeled qualified data. Data that meet the size criteria in **Annex A4-Annex A11** are insensitive to in-plane dimensions.

4.6 Supplementary information about the background of this test method and rationale for many of the technical requirements of this test method are contained in (2). The formulas presented in this test method are applicable over the range of crack length and specimen sizes within the scope of this test method.

#### 5. Significance and Use

5.1 Assuming the presence of a preexisting, sharp, fatigue crack, the material fracture toughness values identified by this test method characterize its resistance to: (1) fracture of a stationary crack, (2) fracture after some stable tearing, (3) stable tearing onset, and (4) sustained stable tearing. This test method is particularly useful when the material response cannot be anticipated before the test. Application of procedures

in Test Method **E 1921** is recommended for testing ferritic steels that undergo cleavage fracture in the ductile-to-brittle transition.

5.1.1 These fracture toughness values may serve as a basis for material comparison, selection, and quality assurance. Fracture toughness can be used to rank materials within a similar yield strength range.

5.1.2 These fracture toughness values may serve as a basis for structural flaw tolerance assessment. Awareness of differences that may exist between laboratory test and field conditions is required to make proper flaw tolerance assessment.

5.2 The following cautionary statements are based on some observations.

5.2.1 Particular care must be exercised in applying to structural flaw tolerance assessment the fracture toughness value associated with fracture after some stable tearing has occurred. This response is characteristic of ferritic steel in the transition regime. This response is especially sensitive to material inhomogeneity and to constraint variations that may be induced by planar geometry, thickness differences, mode of loading, and structural details.

5.2.2 The *J*-*R* curve from bend-type specimens recommended by this test method (SE(B), C(T), and DC(T)) has been observed to be conservative with respect to results from tensile loading configurations.

5.2.3 The values of  $\delta_c$ ,  $\delta_u$ ,  $J_c$ , and  $J_u$  may be affected by specimen dimensions.

#### 6. Apparatus

6.1 Apparatus is required for measurement of applied force, load-line displacement, and crack-mouth opening displacement. Force versus load-line displacement and force versus crack-mouth opening displacement may be recorded digitally for processing by computer or autographically with an *x-y* plotter. Test fixtures for each specimen type are described in the applicable Annex.

##### 6.2 Displacement Gages:

6.2.1 Displacement measurements are needed for the following purposes: to evaluate  $P_Q$  in the  $K_{Ic}$  evaluation,  $J$  from the area under the force versus load-line displacement record, CTOD from the force versus crack-mouth opening displacement record and, for the elastic compliance method, to infer crack extension,  $\Delta a_p$ , from elastic compliance calculations.

6.2.2 The recommended displacement gage has a working range of not more than twice the displacement expected during the test. When the expected displacement is less than 3.75 mm (0.15 in.), the gage recommended in **Fig. 2** may be used. When a greater working range is needed, an enlarged gage such as the one shown in **Fig. 3** is recommended. Accuracy shall be within  $\pm 1\%$  of the full working range. In calibration, the maximum deviation of the individual data points from a fit (linear or curve) to the data shall be less than  $\pm 0.2\%$  of the working range of the gage when using the elastic compliance method and  $\pm 1\%$  otherwise. Knife edges are required for seating the gage. Parallel alignment of the knife edges shall be maintained to within  $1^\circ$ . Direct methods for load-line displacement are described in Refs (2-5).

6.2.2.1 *Gage Attachment Methods*—The specimen shall be provided with a pair of accurately machined knife edges that

ASTM E 1820 – 05a

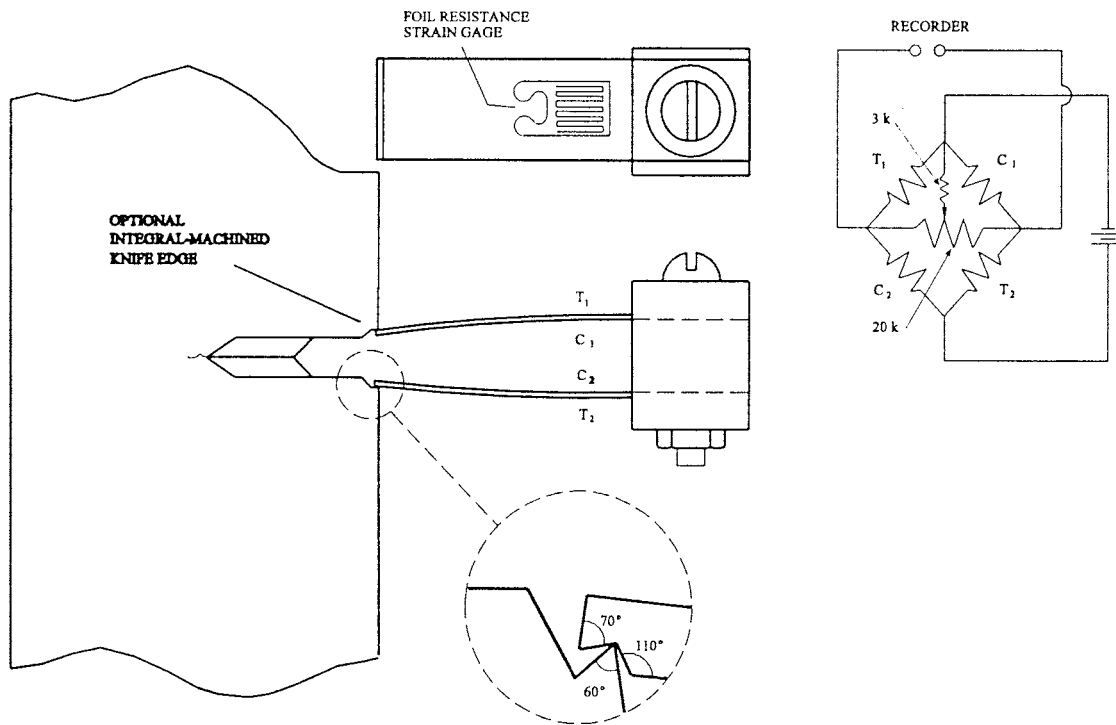
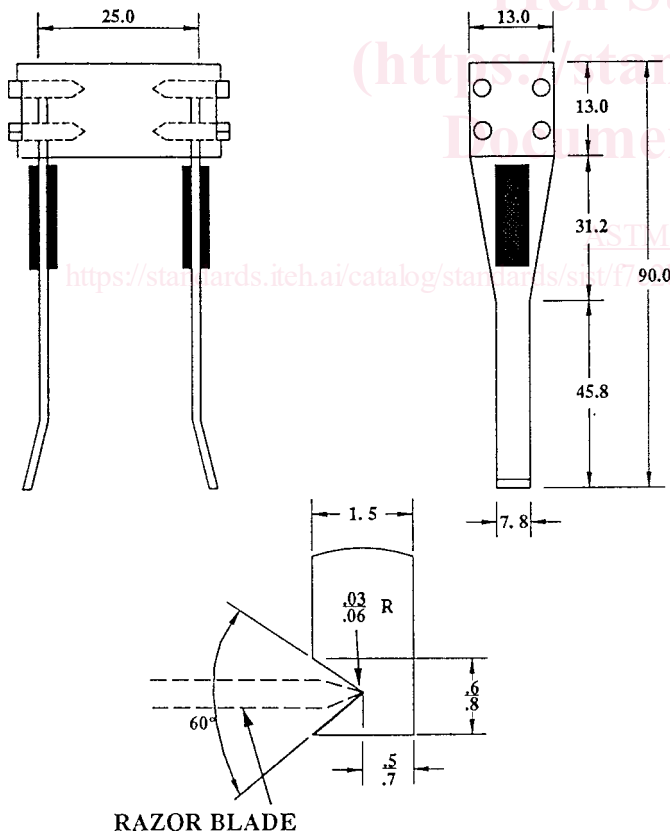


FIG. 2 Double-Cantilever Clip-In Displacement Gage Mounted by Means of Integral Knife Edges



RAZOR BLADE

NOTE 1—All dimensions are in millimeters.

FIG. 3 Clip Gage Design for 8.0 mm (0.3 in.) and More Working Range

support the gage arms and serve as the displacement reference points. These knife edges can be machined integral with the specimen or they may be attached separately. Experience has shown that razor blades serve as effective attachable knife edges. The knife edges shall be positively attached to the specimen to prevent shifting of the knife edges during the test method. Experience has shown that machine screws or spot welds are satisfactory attachment methods.

6.2.3 For the elastic compliance method, the recommended signal resolution for displacement should be at least 1 part in 32 000 of the transducer signal range, and signal stability should be  $\pm 4$  parts in 32 000 of the transducer signal range measured over a 10-min period. Signal noise should be less than  $\pm 2$  parts in 32 000 of the transducer signal range.

6.2.4 Gages other than those recommended in 6.2 are permissible if the required accuracy and precision can be met or exceeded.

### 6.3 Force Transducers:

6.3.1 Testing is performed in a testing machine conforming to the requirements of Practices E 4. Applied force may be measured by any force transducer capable of being recorded continuously. Accuracy of force measurements shall be within  $\pm 1\%$  of the working range. In calibration, the maximum deviation of individual data points from a fit to the data shall be less than  $\pm 0.2\%$  of the calibrated range of the transducer when using elastic compliance, and  $\pm 1\%$  otherwise.

6.3.2 For the elastic compliance method, the signal resolution on force should be at least 1 part in 4000 of the transducer signal range and signal stability should be  $\pm 4$  parts in 4000 of the transducer signal range measured over a 10-min period. Recommended maximum signal noise should be less than  $\pm 2$  parts in 4000 of the transducer signal range.

6.4 *System Verification*—It is recommended that the performance of the force and displacement measuring systems should be verified before beginning a series of continuous tests. Calibration accuracy of displacement transducers shall be verified with due consideration for the temperature and environment of the test. Force calibrations shall be conducted periodically and documented in accordance with the latest revision of Practices E 4.

6.5 *Fixtures:*

6.5.1 *Bend-Test Fixture*—The general principles of the bend-test fixture are illustrated in Fig. 4. This fixture is designed to minimize frictional effects by allowing the support rollers to rotate and move apart slightly as the specimen is loaded, thus permitting rolling contact. Thus, the support rollers are allowed limited motion along plane surfaces parallel to the notched side of the specimen, but are initially positively positioned against stops that set the span length and are held in place by low-tension springs (such as rubber bands). Fixtures and rolls shall be made of high hardness (greater than 40 HRC) steels.

6.5.2 *Tension Testing Clevis:*

6.5.2.1 A loading clevis suitable for testing compact specimens is shown in Fig. 5. Both ends of the specimen are held in such a clevis and loaded through pins, in order to allow rotation of the specimen during testing. In order to provide rolling contact between the loading pins and the clevis holes, these holes are provided with small flats on the loading surfaces. Other clevis designs may be used if it can be demonstrated that they will accomplish the same result as the design shown. Clevises and pins should be fabricated from steels of sufficient strength (greater than 40 HRC) to elastically resist indentation of the clevises or pins.

6.5.2.2 The critical tolerances and suggested proportions of the clevis and pins are given in Fig. 5. These proportions are based on specimens having  $W/B = 2$  for  $B > 12.7$  mm (0.5 in.) and  $W/B = 4$  for  $B \leq 12.7$  mm. If a 1930-MPa (280 000-psi) yield strength maraging steel is used for the clevis and pins, adequate strength will be obtained. If lower-strength grip material is used, or if substantially larger specimens are required at a given  $\sigma_{YS}/E$  ratio, then heavier grips will be

required. As indicated in Fig. 5 the clevis corners may be cut off sufficiently to accommodate seating of the clip gage in specimens less than 9.5 mm (0.375 in.) thick.

6.5.2.3 Careful attention should be given to achieving good alignment through careful machining of all auxiliary gripping fixtures.

**7. Specimen Size, Configuration, and Preparation**

7.1 *Specimen Configurations*—The configurations of the standard specimens are shown in Annex A1-Annex A3.

7.2 *Crack Plane Orientation*—The crack plane orientation shall be considered in preparing the test specimen. This is discussed in Terminology E 1823.

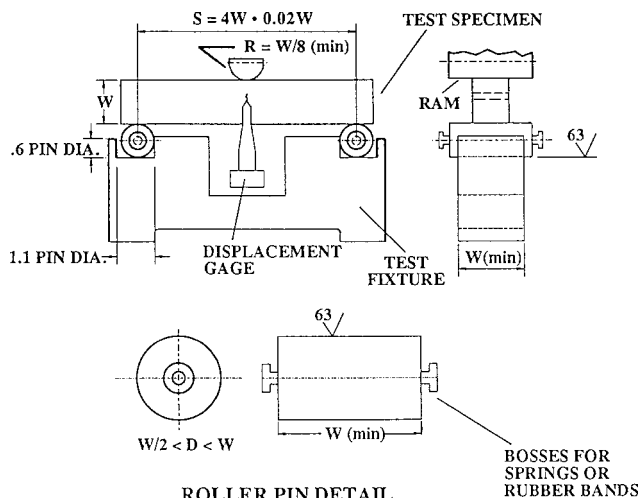
7.3 *Alternative Specimens*—In certain cases, it may be desirable to use specimens having  $W/B$  ratios other than two. Suggested alternative proportions for the single-edge bend specimen are  $1 \leq W/B \leq 4$  and for the compact (and diskshaped compact) specimen are  $2 \leq W/B \leq 4$ , however, any thickness can be used as long as the qualification requirements are met.

7.4 *Specimen Precracking*—All specimens shall be precracked in fatigue. Experience has shown that it is impractical to obtain a reproducibly sharp, narrow machined notch that will simulate a natural crack well enough to provide a satisfactory fracture toughness test result. The most effective artifice for this purpose is a narrow notch from which extends a comparatively short fatigue crack, called the precrack. (A fatigue precrack is produced by cyclically loading the notched specimen for a number of cycles usually between about  $10^4$  and  $10^6$  depending on specimen size, notch preparation, and stress intensity level.) The dimensions of the notch and the precrack, and the sharpness of the precrack shall meet certain conditions that can be readily met with most engineering materials since the fatigue cracking process can be closely controlled when careful attention is given to the known contributory factors. However, there are some materials that are too brittle to be fatigue-cracked since they fracture as soon as the fatigue crack initiates; these are outside the scope of the present test method.

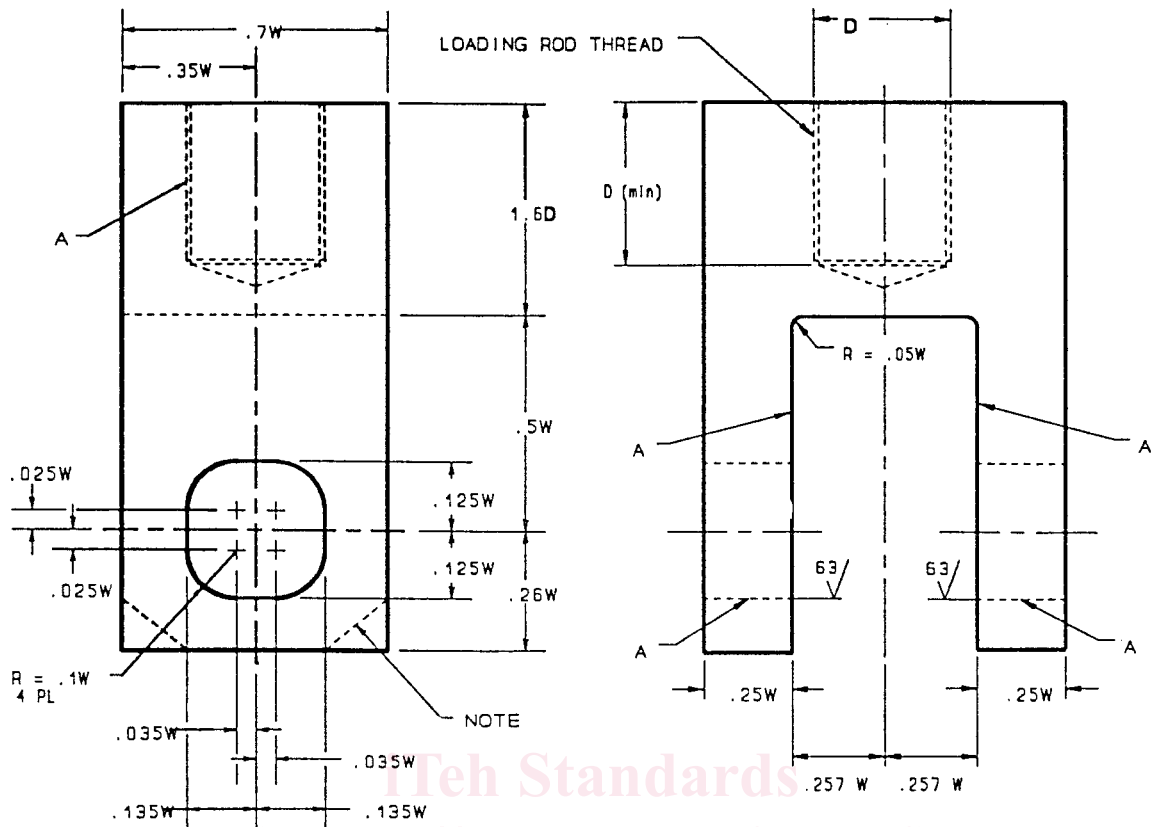
7.4.1 *Fatigue Crack Starter Notch*—Three forms of fatigue crack starter notches are shown in Fig. 6. To facilitate fatigue cracking at low stress intensity levels, the root radius of a straight-through slot terminating in a V-notch should be 0.08 mm (0.003 in.) or less. If a chevron form of notch is used, the root radius may be 0.25 mm (0.010 in.) or less. In the case of a slot tipped with a hole it will be necessary to provide a sharp stress raiser at the end of the hole.

7.4.2 *Fatigue Crack Length*—The crack length (total length of the crack starter configuration plus the fatigue crack) shall be between 0.45 and 0.70  $W$  for  $J$  and  $\delta$  determination, but is restricted to the range from 0.45 to 0.55 for  $K_{Ic}$  determination.

7.4.3 *Equipment*—The equipment for fatigue cracking should be such that the stress distribution is uniform through the specimen thickness; otherwise the crack will not grow uniformly. The stress distribution should also be symmetrical about the plane of the prospective crack; otherwise the crack may deviate from that plane and the test result can be significantly affected. The  $K$  calibration for the specimen, if it is different from the one given in this test method, shall be



**FIG. 4 Bend Test Fixture Design**



A - SURFACES MUST BE FLAT, IN-LINE AND PERPENDICULAR, AS APPLICABLE, TO WITHIN 0.002 in. T.I.R. (0.05 mm)

NOTE 1—Corners may be removed as necessary to accommodate the clip gage.

FIG. 5 Tension Testing Clevis Design

ASTM E1820-05a

<https://standards.iteh.ai/catalog/standards/sist/f7e2bcff>

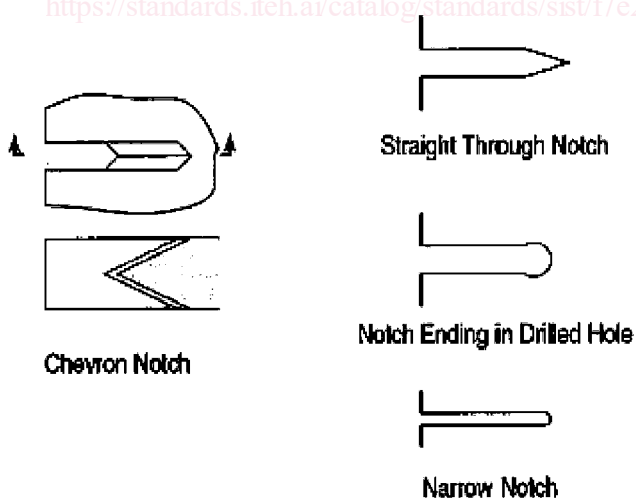


FIG. 6 Fatigue Crack Starter Notch Configurations

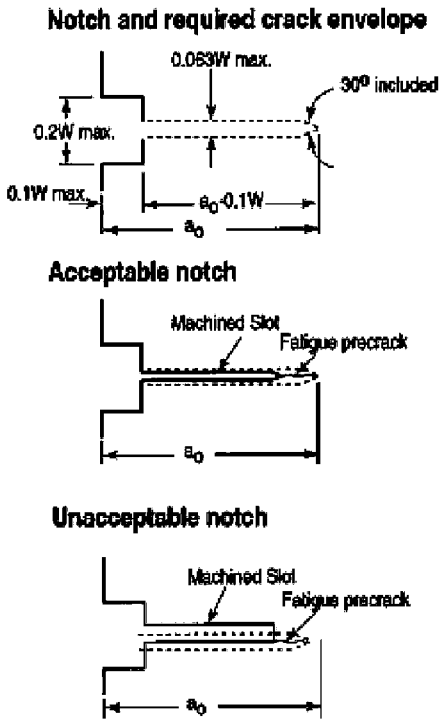
known with an uncertainty of less than 5%. Fixtures used for precracking should be machined with the same tolerances as those used for testing.

7.4.4 *Fatigue Loading Requirements*—Allowable fatigue force values are limited to keep the maximum stress intensity

applied during precracking,  $K_{MAX}$ , well below the material fracture toughness measured during the subsequent test. The fatigue precracking shall be conducted with the specimen fully heat-treated to the condition in which it is to be tested. No intermediate treatments between precracking and testing are allowed. The combination of starter notch and fatigue precrack shall conform to the requirements shown in Fig. 7. There are several ways of promoting early crack initiation: (1) by providing a very sharp notch tip, (2) by using a chevron notch (Fig. 6), (3) by statically preloading the specimen in such a way that the notch tip is compressed in a direction normal to the intended crack plane (to a force not to exceed  $P_m$ ), and (4) by using a negative fatigue force ratio; for a given maximum fatigue force, the more negative the force ratio, the earlier crack initiation is likely to occur. The peak compressive force shall not exceed  $P_m$  as defined in Annex A1-Annex A3.

7.4.5 *Fatigue Precracking Procedure*—Fatigue precracking can be conducted under either force control or displacement control. If the force cycle is maintained constant, the maximum  $K$  and the  $K$  range will increase with crack length; if the displacement cycle is maintained constant, the reverse will happen. The initial value of the maximum fatigue force should be less than  $P_m$ . The specimen shall be accurately located in the loading fixture. Fatigue cycling is then begun, usually with a





**Notch and precrack configurations**

	Wide Notch	Narrow Notch
maximum notch height	0.063W	0.01W
maximum notch angle	60°	as machined
minimum precrack length	0.05B	0.025B

NOTE 1—The crack-starter notch shall be centered between the top and bottom specimen edges within 0.005 W.

FIG. 7 Envelope of Fatigue Crack and Crack Starter Notches

sinusoidal waveform and near to the highest practical frequency. There is no known marked frequency effect on fatigue precrack formation up to at least 100 Hz in the absence of adverse environments. The specimen should be carefully monitored until crack initiation is observed on one side. If crack initiation is not observed on the other side before appreciable growth is observed on the first, then fatigue cycling should be stopped to try to determine the cause and find a remedy for the unsymmetrical behavior. Sometimes, simply turning the specimen around in relation to the fixture will solve the problem.

7.4.5.1 The length of the fatigue precrack extension from the machined notch shall not be less than 0.05B, and not less than 1.3 mm (0.05 in.) for the wide notch, see Fig. 7, nor less than 0.025B or less than 0.6 mm (0.024 in.) for the narrow notch. Precracking shall be accomplished in at least two steps. For the first step the maximum stress intensity applied to the specimen shall be limited by:

$$K_{MAX} = \left( \frac{\sigma_{YS}^f}{\sigma_{YS}^T} \right) (0.063\sigma_{YS}^f \text{ MPa}\sqrt{\text{m}}) \quad (6)$$

or

$$K_{MAX} = \left( \frac{\sigma_{YS}^f}{\sigma_{YS}^T} \right) (0.4\sigma_{YS}^f \text{ ksi}\sqrt{\text{in.}})$$

where:

$\sigma_{YS}^f$  and  $\sigma_{YS}^T$  = the material yield stresses at the fatigue precrack and test temperatures respectively.

7.4.5.2 It is generally most effective to use  $R = P_{MIN}/P_{MAX} = 0.1$ . The accuracy of the maximum force values shall be

known within  $\pm 5\%$ .

Precracking should be conducted at as low as a  $K_{MAX}$  as practical. For some aluminum alloys and high strength steels the above  $K_{MAX}$  relationship can give very high precracking forces. This is especially true if precracking and testing are conducted at the same temperature. It is suggested that the user start with approximately 0.7  $K_{MAX}$  given by the above relationship, and if the precrack does not grow after  $10^5$  cycles the loading can be incrementally increased until the crack begins to extend.

For the second precracking step, which shall include at least the final 50 % of the fatigue precrack or 1.3 mm (0.05 in.) for the wide notch or 0.6 mm (0.024 in.) for the narrow notch, whichever is less, the maximum stress intensity that may be applied to the specimen shall be given by:

$$K_{MAX} = 0.6 \frac{\sigma_{YS}^f}{\sigma_{YS}^T} K_F \quad (7)$$

where:

$K_F = K_Q, K_{JQ}, K_{JQC}$  or  $K_{JQU}$  depending on the result of the test, and  $K_F$  is calculated from the corresponding  $J_F$  using the relationship that:

$$K_F = \sqrt{\frac{EJ_F}{(1 - \nu^2)}} \quad (8)$$

7.4.5.3 To transition between steps, intermediate levels of force shedding can be used if desired.

7.5 Side Grooves—Side grooves are highly recommended when the compliance method of crack length prediction is used. The specimen may also need side grooves to ensure a straight crack front as specified in Annex A4-Annex A7. The



total thickness reduction shall not exceed  $0.25B$ . A total reduction of  $0.20B$  has been found to work well for many materials. Any included angle of side groove less than  $90^\circ$  is allowed. Root radius shall be  $0.5 \pm 0.2$  mm ( $0.02 \pm 0.01$  in.). In order to produce nearly straight fatigue precrack fronts, the precracking should be performed prior to the side-grooving operation.  $B_N$  is the minimum thickness measured at the roots of the side grooves. The root of the side groove should be located along the specimen centerline.

## 8. Procedure

### 8.1 Objective and Overview:

8.1.1 The overall objective of the test method is to develop a force-displacement record that can be used to evaluate  $K$ ,  $J$ , or CTOD. Two procedures can be used: (1) a basic procedure directed toward evaluation of a single  $K$ ,  $J$ , or CTOD value without the use of crack extension measurement equipment, or (2) a procedure directed toward evaluation of a complete fracture toughness resistance curve using crack extension measurement equipment. This also includes the evaluation of single-point toughness values.

8.1.2 The basic procedure utilizes a force versus displacement plot and is directed toward obtaining a single fracture toughness value such as  $K_{Ic}$ ,  $J_{Ic}$ , or  $\delta_{Ic}$ . Optical crack measurements are utilized to obtain both the initial and final physical crack sizes in this procedure. Multiple specimens can be used to evaluate  $J$  at the initiation of ductile cracking,  $J_{Ic}$  or  $\delta_{Ic}$ .

8.1.3 The resistance curve procedure utilizes an elastic unloading procedure or equivalent procedure to obtain a  $J$ - or CTOD-based resistance curve from a single specimen. Crack length is measured from compliance in this procedure and verified by posttest optical crack length measurements. An alternative procedure using the normalization method is presented in [Annex A15: Normalization Data Reduction Technique](#).

8.1.4 Three or more determinations of the fracture toughness parameter are suggested to ascertain the effects of material and test system variability. If fracture occurs by cleavage of ferritic steel, the testing and analysis procedure of Test Method [E 1921](#) is recommended.

### 8.2 System and Specimen Preparation:

8.2.1 *Specimen Measurement*—Measure the dimensions,  $B_N$ ,  $B$ ,  $W$ ,  $H^*$ , and  $d$  to the nearest 0.050 mm (0.002 in.) or 0.5 %, whichever is larger.

#### 8.2.2 Specimen Temperature:

8.2.2.1 The temperature of the specimen shall be stable and uniform during the test. Hold the specimen at test temperature  $\pm 3^\circ\text{C}$  for  $\frac{1}{2} h/25$  mm of specimen thickness.

8.2.2.2 Measure the temperature of the specimen during the test to an accuracy of  $\pm 3^\circ\text{C}$ , where the temperature is measured on the specimen surface within  $W/4$  from the crack tip. (See Test Methods [E 21](#) for suggestions on temperature measurement.)

8.2.2.3 For the duration of the test, the difference between the indicated temperature and the nominal test temperature shall not exceed  $\pm 3^\circ\text{C}$ .

8.2.2.4 The term “indicated temperature” means the temperature that is indicated by the temperature measuring device using good-quality pyrometric practice.

NOTE 2—It is recognized that specimen temperature may vary more than the indicated temperature. The permissible indicated temperature variations in [8.2.2.3](#) are not to be construed as minimizing the importance of good pyrometric practice and precise temperature control. All laboratories should keep both indicated and specimen temperature variations as small as practicable. It is well recognized, in view of the dependency of fracture toughness of materials on temperature, that close temperature control is necessary. The limits prescribed represent ranges that are common practice.

### 8.3 Alignment:

8.3.1 *Bend Testing*—Set up the bend test fixture so that the line of action of the applied force passes midway between the support roll centers within  $\pm 1$  % of the distance between the centers. Measure the span to within  $\pm 0.5$  % of the nominal length. Locate the specimen so that the crack tip is midway between the rolls to within 1 % of the span and square the roll axes within  $\pm 2^\circ$ .

8.3.1.1 When the load-line displacement is referenced from the loading jig there is potential for introduction of error from two sources. They are the elastic compression of the fixture as the force increases and indentation of the specimen at the loading points. Direct methods for load-line displacement measurement are described in Refs ([3-6](#)). If a remote transducer is used for load-line displacement measurement, take care to exclude the elastic displacement of the load-train measurement and brinelling displacements at the load points ([7](#)).

8.3.2 *Compact Testing*—Loading pin friction and eccentricity of loading can lead to errors in fracture toughness determination. The centerline of the upper and lower loading rods should be coincident within 0.25 mm (0.01 in.). Center the specimen with respect to the clevis opening within 0.76 mm (0.03 in.). Seat the displacement gage in the knife edges firmly by wiggling the gage lightly.

8.4 *Basic Procedure*—Load all specimens under displacement gage or machine crosshead or actuator displacement control. If a loading rate that exceeds that specified here is desired, please refer to [Annex A14: Special Requirements for Rapid-Load J-Integral Fracture Toughness Testing](#).

8.4.1 The basic procedure involves loading a specimen to a selected displacement level and determining the amount of crack extension that occurred during loading.

8.4.2 Load specimens at a constant rate such that the time taken to reach the force  $P_m$  lies between 0.3 to 3 min.

8.4.3 If the test ends by a fracture instability, measure the initial crack length and any ductile crack extension by the procedure in [9](#). Ductile crack extension may be difficult to distinguish but should be defined on one side by the fatigue precrack and on the other by the brittle region. Proceed to [9](#) to evaluate fracture toughness in terms of  $K$ ,  $J$ , or CTOD.

8.4.4 If stable tearing occurs, test additional specimens to evaluate an initiation value of the toughness. Use the procedure in [8.5](#) to evaluate the amount of stable tearing that has occurred and thus determine the displacement levels needed in the additional tests. Five or more points favorably positioned are required to generate an R curve for evaluating an initiation point. See [Annex A9](#) and [Annex A11](#) to see how points shall be positioned for evaluating an initiation toughness value.

### 8.5 Optical Crack Length Measurement:

8.5.1 After unloading the specimen, mark the crack according to one of the following methods. For steels and titanium alloys, heat tinting at about 300°C (570°F) for 30 min works well. For other materials, fatigue cycling can be used. The use of liquid penetrants is not recommended. For both recommended methods, the beginning of stable crack extension is marked by the end of the flat fatigue precracked area. The end of crack extension is marked by the end of heat tint or the beginning of the second flat fatigue area.

8.5.2 Break the specimen to expose the crack, with care taken to minimize additional deformation. Cooling ferritic steel specimens to ensure brittle behavior may be helpful. Cooling nonferritic materials may help to minimize deformation during final fracture.

8.5.3 Along the front of the fatigue crack and the front of the marked region of stable crack extension, measure the size of the original crack and the final physical crack size at nine equally spaced points centered about the specimen centerline and extending to 0.005  $W$  from the root of the side groove or surface of smooth-sided specimens. Calculate the original crack size,  $a_o$ , and the final physical crack size,  $a_p$ , as follows: average the two near-surface measurements, combine the result with the remaining seven crack length measurements and determine the average. Calculate the physical crack extension,  $\Delta a_p = a_p - a_o$ . The measuring instrument shall have an accuracy of 0.025 mm (0.001 in.).

8.5.4 None of the nine measurements of original crack size and final physical crack size may differ by more than 0.05 $B$  from the average physical crack size defined in 8.5.3.

#### 8.6 Resistance Curve Procedure:

8.6.1 The resistance curve procedure involves using an elastic compliance technique or other technique to obtain the  $J$  or CTOD resistance curve from a single specimen test. The elastic compliance technique is described here, while the normalization technique is described in Annex A15.

8.6.2 Load the specimens under the displacement gage or machine crosshead or actuator displacement control. Load the specimens at a rate such that the time taken to reach the force  $P_m$  lies between 0.3 and 3.0 min. The time to perform an unload/reload sequence should be as needed to accurately estimate crack length, but not more than 10 min. If a higher loading rate is desired, please refer to Annex A14: Special Requirements for Rapid-Load J-Integral Fracture Toughness Testing.

8.6.3 Take each specimen individually through the following steps:

8.6.3.1 Measure compliance to estimate the original crack length,  $a_o$ , using unloading/reloading sequences in a force range from 0.5 to 1.0 times the maximum precracking force. Estimate a provisional initial crack size,  $a_{oq}$ , from at least three unloading/reloading sequences. No individual value shall differ from the mean by more than  $\pm 0.002 W$ .

8.6.3.2 Proceed with the test using unload/reload sequences that produce crack extension measurements at intervals prescribed by the applicable data analysis section of Annex A8 or Annex A10. Note that at least eight data points are required before specimen achieves maximum force. If fracture instability is an expected response, then it may be helpful to load the

specimen monotonically over the range  $P_m < P < P_Q$ . (See Annex A5 for a definition of  $P_Q$ ). If crack length values change negatively by more than 0.005  $a_o$  (backup), stop the test and check the alignment of the loading train. Crack length values determined at forces lower than the maximum precracking force should be ignored.

8.6.3.3 For many materials, load relaxation may occur prior to conducting compliance measurements, causing a time-dependent nonlinearity in the unloading slope. One method that may be used to remedy this effect is to hold the specimen for a period of time until the force becomes stable at a constant displacement prior to initiating the unloading.

8.6.3.4 The maximum recommended range of unload/reload for crack extension measurement should not exceed either 50 % of  $P_m$  or 50 % of the current force, whichever is smaller.

8.6.3.5 After completing the final unloading cycle, return the force to zero without additional crosshead displacement beyond the then current maximum displacement.

8.6.3.6 After unloading the specimen, use the procedure in 8.5 to optically measure the crack lengths.

#### 8.7 Alternative Methods:

8.7.1 Alternative methods of measuring crack extension, such as the electric potential drop method, are allowed. Methods shall meet the qualification criteria given in 9.1.5.2. If an alternative method is used to obtain  $J_{Ic}$ , at least one additional, confirmatory specimen shall be tested at the same test rate and under the same test conditions. From the alternative method the load line displacement corresponding to a ductile crack extension of 0.5 mm shall be estimated. The additional specimen shall then be loaded to this load line displacement level, marked, broken open and the ductile crack growth measured. The measured crack extension shall be  $0.5 \pm 0.25$  mm in order for these results, and hence the  $J_{Ic}$  value, to be qualified according to this method.

8.7.2 If displacement measurements are made in a plane other than that containing the load line, the ability to infer load-line displacement shall be demonstrated using the test material under similar test temperatures and conditions. Inferred load-line displacement values shall be accurate to within  $\pm 1$  %.

## 9. Analysis of Results

9.1 *Qualification of Data*—The data shall meet the following requirements to be qualified according to this test method. If the data do not pass these requirements, no fracture toughness measures can be determined in accordance with this test method.

NOTE 3—This section contains the requirements for qualification that are common for all tests. Additional qualification requirements are given with each type of test in the Annexes as well as requirements for determining whether the fracture toughness parameter developed is insensitive to in-plane dimensions.

9.1.1 All requirements on the test equipment in Section 6 shall be met.

9.1.2 All requirements on machining tolerance and precracking in Section 7 shall be met.

9.1.3 All requirements on fixture alignment, test rate, and temperature stability and accuracy in Section 8 shall be met.

9.1.4 The following crack size requirements shall be met in all tests.

9.1.4.1 *Original Crack Size*—None of the nine physical measurements of initial crack size defined in 8.5.3 shall differ by more than  $0.05B$  from the average  $a_o$ .

9.1.4.2 *Final Crack Size*—None of the nine physical measurements of final physical crack size,  $a_p$ , defined in 8.5.3 shall differ by more than  $0.05B$  from the average  $a_p$ . In subsequent tests, the side-groove configuration may be modified within the requirements of 7.5 to facilitate meeting this requirement.

9.1.5 The following crack size requirements shall be met in the tests using the resistance curve procedure of 8.6.

9.1.5.1 *Crack Extension*—None of the nine physical measurements of crack extension shall be less than 50 % of the average crack extension.

9.1.5.2 *Crack Extension Prediction*—The crack extension,  $\Delta a_{predicted}$ , predicted from elastic compliance (or other method), at the last unloading shall be compared with the measured physical crack extension,  $\Delta a_p$ . The difference between these shall not exceed  $0.15 \Delta a_p$  for crack extensions less than  $0.2 b_o$ , and the difference shall not exceed  $0.03 b_o$  thereafter.

9.2 *Fracture Instability*—When the test terminates with a fracture instability, evaluate whether the fracture occurred before stable tearing or after stable tearing. The beginning of stable tearing is defined in A6.3 and A7.3. For fracture instability occurring before stable tearing proceed to Annex A5, Annex A6, and Annex A7 to evaluate the toughness values in terms of  $K$ ,  $J$ , or CTOD. For fracture instability occurring after stable tearing, proceed to Annex A5, Annex A6, and Annex A7 to evaluate toughness values and then go to 9.3 to evaluate stable tearing.

### 9.3 *Stable Tearing:*

9.3.1 *Basic Procedure*—When the basic procedure is used, only an initiation toughness can be evaluated. Proceed to Annex A9 and Annex A11 to evaluate initiation toughness values.

9.3.2 *Resistance Curve Procedure*—When the resistance curve procedure is used, refer to Annex A8 and Annex A10 to develop the  $R$ -curves. Proceed to Annex A9 and Annex A11 to develop initiation values of toughness.

## 10. Report

10.1 A recommended table for reporting results is given Fig. 8 and Fig. 9.

10.2 Report the following information for each fracture toughness determination:

10.2.1 Type of test specimen and orientation of test specimen according to Terminology E 1823 identification codes,

10.2.2 Material designation (ASTM, AISI, SAE, and so forth), material product form (plate, forging, casting, and so forth), and material yield and tensile strength (at test temperatures),

10.2.3 Specimen dimensions (8.2.1), Thickness  $B$  and  $B_N$ , and Width  $W$ ,

10.2.4 Test temperature (8.2.2), loading rate (8.4.2 and 8.6.2), and type of loading control,

10.2.5 Fatigue precracking conditions (7.4),  $K_{max}$ ,  $\Delta K$  range, and fatigue precrack length (average),

### Basic Test Information

Loading Rate, time to  $P_m$  = [min]  
Test temperature = [°C]

### Crack Length Information

Initial measured crack length,  $a_o$  = [mm]  
Initial predicted crack length,  $a_{oq}$  = [mm]  
Final measured crack length,  $a_f$  = [mm]  
Final  $\Delta a_p$  = [mm]  
Final  $\Delta a_{predicted}$  = [mm]

### Analysis of Results

Fracture type = (Fracture instability or stable tearing)

### K Based Fracture

$K_{Ic}$  = [MPa-m<sup>1/2</sup>]  
 $K_{JIC}$  = [MPa-m<sup>1/2</sup>]

### J Based Fracture

$J_c$  = [kJ/m<sup>2</sup>]  
 $J_{Ic}$  = [kJ/m<sup>2</sup>]  
 $J_u$  = [kJ/m<sup>2</sup>]

### δ Based Results

$\delta_c^*$  = [mm]  
 $\delta_{Ic}$  = [mm]  
 $\delta_c$  = [mm]  
 $\delta_u$  = [mm]

Final  $\Delta a/b$  =  
Final  $J_{max}/\sigma_{YS}$  = [mm]

### Specimen Information

Type =  
Identification =  
Orientation =

### Basic dimensions

$B$  = [mm]  
 $B_N$  = [mm]  
 $W$  = [mm]  
 $a_N$ (Notch Length) = [mm]

### Particular dimensions

C(T)  $H$  = [mm]  
SE(B)  $S$  = [mm]  
DC(T)  $D$  = [mm]

### Material

Material designation =  
Form =

### Tensile Properties

$E$  (Young's modulus) = [MPa]  
 $\nu$  (Poisson's ratio) =  
 $\sigma_{YS}$  (Yield Strength) = [MPa]  
 $\sigma_{TS}$  (Ultimate Strength) = [MPa]

### Precracking Information

Final  $P_{max}$  = [N]  
Final  $P_{min}$  = [N]  
 $P_m$  = [N]  
Final  $\Delta K/E$  = [MPa-m<sup>1/2</sup>]  
Fatigue temperature = [°C]  
Fatigue crack growth information

**FIG. 8 Suggested Data Reporting Format**

10.2.6 Load-displacement record and associated calculations (Section 9),

10.2.7 If the loading rate is other than quasi-static, report the applied  $dK/dt$ ,

10.2.8 Original measured crack length,  $a_o$  (8.5), original predicted crack length,  $a_{oq}$ , final measured crack length,  $a_p$ , final predicted crack extension,  $\Delta a_{predicted}$ , physical crack

