

---

---

**Tools for pressing — Punch holder  
shanks —**

Part 2:  
**Type C**

*Outils de presse — Nez de presse —*

*Partie 2: Type C*  
**iTeh STANDARD PREVIEW**  
**(standards.iteh.ai)**

ISO 10242-2:2008

<https://standards.iteh.ai/catalog/standards/sist/51837103-94a7-4d75-b0d8-2a1f345dbb20/iso-10242-2-2008>



**PDF disclaimer**

This PDF file may contain embedded typefaces. In accordance with Adobe's licensing policy, this file may be printed or viewed but shall not be edited unless the typefaces which are embedded are licensed to and installed on the computer performing the editing. In downloading this file, parties accept therein the responsibility of not infringing Adobe's licensing policy. The ISO Central Secretariat accepts no liability in this area.

Adobe is a trademark of Adobe Systems Incorporated.

Details of the software products used to create this PDF file can be found in the General Info relative to the file; the PDF-creation parameters were optimized for printing. Every care has been taken to ensure that the file is suitable for use by ISO member bodies. In the unlikely event that a problem relating to it is found, please inform the Central Secretariat at the address given below.

**iTeh STANDARD PREVIEW**  
**(standards.iteh.ai)**

ISO 10242-2:2008

<https://standards.iteh.ai/catalog/standards/sist/51837103-94a7-4d75-b0d8-2a1f345dbb20/iso-10242-2-2008>



**COPYRIGHT PROTECTED DOCUMENT**

© ISO 2008

All rights reserved. Unless otherwise specified, no part of this publication may be reproduced or utilized in any form or by any means, electronic or mechanical, including photocopying and microfilm, without permission in writing from either ISO at the address below or ISO's member body in the country of the requester.

ISO copyright office  
Case postale 56 • CH-1211 Geneva 20  
Tel. + 41 22 749 01 11  
Fax + 41 22 749 09 47  
E-mail [copyright@iso.org](mailto:copyright@iso.org)  
Web [www.iso.org](http://www.iso.org)

Published in Switzerland

## Foreword

ISO (the International Organization for Standardization) is a worldwide federation of national standards bodies (ISO member bodies). The work of preparing International Standards is normally carried out through ISO technical committees. Each member body interested in a subject for which a technical committee has been established has the right to be represented on that committee. International organizations, governmental and non-governmental, in liaison with ISO, also take part in the work. ISO collaborates closely with the International Electrotechnical Commission (IEC) on all matters of electrotechnical standardization.

International Standards are drafted in accordance with the rules given in the ISO/IEC Directives, Part 2.

The main task of technical committees is to prepare International Standards. Draft International Standards adopted by the technical committees are circulated to the member bodies for voting. Publication as an International Standard requires approval by at least 75 % of the member bodies casting a vote.

Attention is drawn to the possibility that some of the elements of this document may be the subject of patent rights. ISO shall not be held responsible for identifying any or all such patent rights.

ISO 10242-2 was prepared by Technical Committee ISO/TC 29, *Small tools*, Subcommittee SC 8, *Tools for pressing and moulding*.

This second edition cancels and replaces the first edition (ISO 10242-2:1991), of which it constitutes a minor revision. In particular, the indication of surface textures has been updated in accordance with ISO 1302:2002.

ISO 10242 consists of the following parts, under the general title *Tools for pressing — Punch holder shanks*:

- *Part 1: Type A* <https://standards.iteh.ai/catalog/standards/sist/51837103-94a7-4d75-b0d8-2a1f345dbb20/iso-10242-2-2008>
- *Part 2: Type C*
- *Part 3: Type D*

**iTeh STANDARD PREVIEW**  
**(standards.iteh.ai)**

ISO 10242-2:2008

<https://standards.iteh.ai/catalog/standards/sist/51837103-94a7-4d75-b0d8-2a1f345dbb20/iso-10242-2-2008>

# Tools for pressing — Punch holder shanks —

## Part 2: Type C

### 1 Scope

This part of ISO 10242 specifies the interchangeability dimensions and tolerances, in millimetres, of punch holder shanks type C, intended for use in press tools.

It gives guidance on the materials, and specifies the hardness and designation of punch holder shanks in accordance with this part of ISO 10242.

### 2 Dimensions

The dimensions of punch holder shank type C shall be in accordance with Figure 1 and Table 1.

**iTeh STANDARD PREVIEW**  
**(standards.iteh.ai)**

[ISO 10242-2:2008](https://standards.iteh.ai/catalog/standards/sist/51837103-94a7-4d75-b0d8-2a1f345dbb20/iso-10242-2-2008)

<https://standards.iteh.ai/catalog/standards/sist/51837103-94a7-4d75-b0d8-2a1f345dbb20/iso-10242-2-2008>

Surface roughness values in micrometres

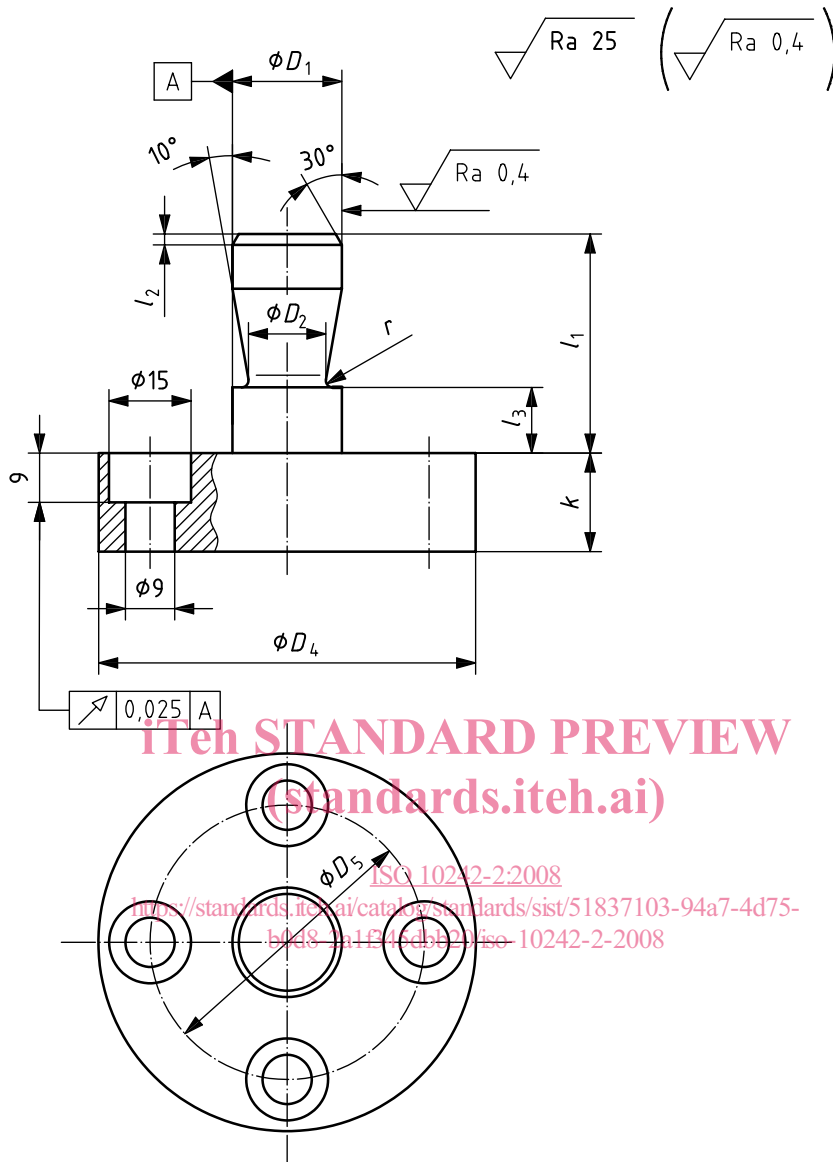


Figure 1 — Punch holder shank type C

Table 1 — Dimensions of punch holder shank type C

$D_1$ f9	$D_2$	$D_4$	$D_5$	$k$	$l_1$	$l_2$	$l_3$	$r$
20	15	67	50	18	40	2	12	2,5
25	20	82	65	18	45	2,5	16	2,5
32	25	97	80	23	56	3	16	2,5
40	32	122	105	23	70	4	26	4

### 3 Material and corresponding hardness

The choice of material is left to the manufacturer's discretion and the hardness shall be at least 140 HB.

### 4 Designation

A punch holder shank in accordance with this part of ISO 10242 shall be designated by the following:

- a) "Punch holder shank";
- b) reference to this part of ISO 10242;
- c) its type;
- d) its body diameter,  $D_1$ , in millimetres.

EXAMPLE A punch holder shank of type C and of body diameter  $D_1 = 20$  mm is designated as follows:

**Punch holder shank ISO 10242-2 C-20**

**iTeh STANDARD PREVIEW**  
**(standards.iteh.ai)**

[ISO 10242-2:2008](https://standards.iteh.ai/catalog/standards/sist/51837103-94a7-4d75-b0d8-2a1f345dbb20/iso-10242-2-2008)

<https://standards.iteh.ai/catalog/standards/sist/51837103-94a7-4d75-b0d8-2a1f345dbb20/iso-10242-2-2008>

## Bibliography

- [1] ISO 6506 (all parts), *Metallic materials — Brinell hardness test*
- [2] ISO 1302:2002, *Geometrical Product Specifications (GPS) — Indication of surface texture in technical product documentation*

**iTeh STANDARD PREVIEW**  
**(standards.iteh.ai)**

[ISO 10242-2:2008](https://standards.iteh.ai/catalog/standards/sist/51837103-94a7-4d75-b0d8-2a1f345dbb20/iso-10242-2-2008)

<https://standards.iteh.ai/catalog/standards/sist/51837103-94a7-4d75-b0d8-2a1f345dbb20/iso-10242-2-2008>



**iTeh STANDARD PREVIEW**  
**(standards.iteh.ai)**

ISO 10242-2:2008

<https://standards.iteh.ai/catalog/standards/sist/51837103-94a7-4d75-b0d8-2a1f345dbb20/iso-10242-2-2008>