



Designation: F 384 – 06

# Standard Specifications and Test Methods for Metallic Angled Orthopedic Fracture Fixation Devices<sup>1</sup>

This standard is issued under the fixed designation F 384; the number immediately following the designation indicates the year of original adoption or, in the case of revision, the year of last revision. A number in parentheses indicates the year of last reapproval. A superscript epsilon ( $\epsilon$ ) indicates an editorial change since the last revision or reapproval.

## 1. Scope

1.1 These specifications and test methods provide a comprehensive reference for angled devices used in the surgical internal fixation of the skeletal system. This standard establishes consistent methods to classify and define the geometric and performance characteristics of angled devices. This standard also presents a catalog of standard specifications that specify material, labeling, and handling requirements, and standard test methods for measuring performance related mechanical characteristics determined to be important to the *in vivo* performance of angled devices.

1.2 It is not the intention of this standard to define levels of performance of case-specific clinical performance for angled devices, as insufficient knowledge is available to predict the consequences of their use in individual patients for specific activities of daily living. Furthermore, this standard does not describe or specify specific designs for angled devices used in the surgical internal fixation of the skeletal system.

1.3 This standard may not be appropriate for all types of angled devices. The user is cautioned to consider the appropriateness of this standard in view of a particular angled device and its potential application.

NOTE 1—This standard is not intended to address intramedullary hip screw nails or other angled devices without a sideplate.

1.4 This standard includes the following test methods used in determining the following angled device mechanical performance characteristics:

1.4.1 Standard test method for single cycle compression bend testing of metallic angled orthopedic fracture fixation devices (see [Annex A1](#)).

1.4.2 Standard test method for determining the bending fatigue properties of metallic angled orthopedic fracture fixation devices (see [Annex A2](#)).

1.5 Unless otherwise indicated, the values stated in SI units shall be regarded as the standard.

NOTE 2—There is currently no ISO standard that is either similar to equivalent to this standard.

## 2. Referenced Documents

2.1 *ASTM Standards*:<sup>2</sup>

- E 4 Practices for Force Verification of Testing Machines
- E 8 Test Methods for Tension Testing of Metallic Materials
- E 122 Practice for Calculating Sample Size to Estimate, With a Specified Tolerable Error, the Average for a Characteristic of a Lot or Process
- F 67 Specification for Unalloyed Titanium, for Surgical Implant Applications (UNS R50250, UNS R50400, UNS R50550, UNS R50700),
- F 75 Specification for Cobalt-28 Chromium-6 Molybdenum Alloy Castings and Casting Alloy for Surgical Implants (UNS R30075)
- F 90 Specification for Wrought Cobalt-20Chromium-15Tungsten-10Nickel Alloy for Surgical Implant Applications (UNS R30605)
- F 136 Specification for Wrought Titanium-6Aluminum-4Vanadium ELI (Extra Low Interstitial) Alloy for Surgical Implant Applications (UNS R56401)
- F 138 Specification for Wrought 18Chromium-14Nickel-2.5Molybdenum Stainless Steel Bar and Wire for Surgical Implants (UNS S31673)
- F 139 Specification for Wrought 18Chromium-14Nickel-2.5Molybdenum Stainless Steel Sheet and Strip for Surgical Implants (UNS S31673)
- F 382 Specification and Test Method for Metallic Bone Plates
- F 543 Specification and Test Methods for Metallic Medical Bone Screws
- F 565 Practice for Care and Handling of Orthopedic Implants and Instruments
- F 620 Specification for Alpha Plus Beta Titanium Alloy Forgings for Surgical Implants

<sup>1</sup> These specifications and test methods are under the jurisdiction of ASTM Committee F04 on Medical and Surgical Materials and Devices and are the direct responsibility of Subcommittee F04.21 on Osteosynthesis.

Current edition approved Jan. 15, 2006. Published February 2006. Originally approved in 1973. Last previous edition approved in 2000 as F 384 – 00.

<sup>2</sup> For referenced ASTM standards, visit the ASTM website, www.astm.org, or contact ASTM Customer Service at service@astm.org. For *Annual Book of ASTM Standards* volume information, refer to the standard's Document Summary page on the ASTM website.

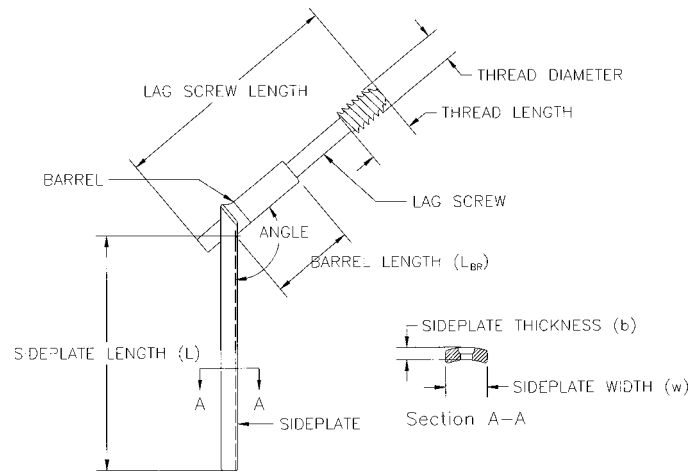


FIG. 1 Diagram Illustrating Compression Hip Screw Angled Devices

**F 621** Specification for Stainless Steel Forgings for Surgical Implants

**F 983** Practice for Permanent Marking of Orthopaedic Implant Components

**F 1295** Specification for Wrought Titanium-6Aluminum-7Niobium Alloy for Surgical Implant Applications (UNS R56700)

**F 1314** Specification for Wrought Nitrogen Strengthened 22 Chromium – 13 Nickel – 5 Manganese – 2.5 Molybdenum Stainless Steel Alloy Bar and Wire for Surgical Implants (UNS S20910)

**F 1472** Specification for Wrought Titanium-6Aluminum-4Vanadium Alloy for Surgical Implant Applications (UNS R56400)

**F 1713** Specification for Wrought Titanium-13Niobium-13Zirconium Alloy for Surgical Implant Applications (UNS R58130)

2.2 ISO Standards:<sup>3</sup>

**ISO 5835** Implants for Surgery—Metal Bone Screws with Hexagonal Drive Connection—Spherical Under Surface of Head, Asymmetrical Thread

**ISO 5836** Implants for Surgery—Metal Bone Plates—Holes Corresponding to Screws with Asymmetrical Thread and Spherical Under Surface

**ISO 9268** Implants for Surgery—Metal Bone Screws with Conical Under-Surface of Head—Dimensions

**ISO 9269** Implants for Surgery—Metal Bone Plates—Holes and Slots Corresponding to Screws with Conical Under-Surface

**ISO 14602** Non-active Surgical Implants—Implants for Osteosynthesis—Particular Requirements

### 3. Terminology

3.1 Definitions: Geometric

3.1.1 *angle, n*—defined at either the barrel/sideplate or blade/sideplate junction (see Fig. 1 and Fig. 2).

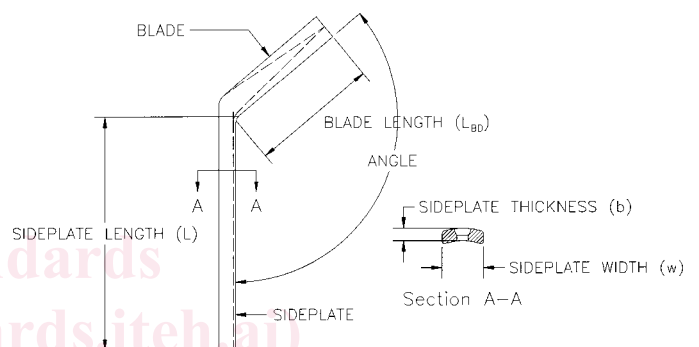


FIG. 2 Diagram Illustrating Blade Plate Angled Devices

3.1.2 *angled device, n*—a class of orthopedic devices for the fixation of fractures in the metaphyseal areas of long bones that has a component aligned at an angle to the bone's long axis.

3.1.3 *barrel, n*—the portion of an angled device which captures the lag screw (see Fig. 1).

3.1.4 *barrel length, L<sub>BR</sub>, n*—the distance from the free end of the barrel to the interior vertex of the barrel/sideplate junction (see Fig. 1).

3.1.5 *blade, n*—the portion of an angled device which transmits the off axis loading of the anatomical loading condition to the sideplate portion of the angled device (see Fig. 2).

3.1.6 *blade length, L<sub>BD</sub>, n*—the distance from the free end of the blade to the interior vertex of the blade/sideplate junction (see Fig. 2).

3.1.7 *lag screw, n*—that component of a compression hip screw angled device which is threaded into the metaphyses and transmits the off axis load to the sideplate through the barrel (see Fig. 1).

3.1.8 *lag screw length, n*—the straight line distance measured between the proximal and distal ends of the lag screw (see Fig. 1).

3.1.9 *sideplate, n*—that portion of the angle device generally aligned with the bone's long axis which attaches to the bone via bone screws (see Fig. 1 and Fig. 2).

<sup>3</sup> Available from American National Standards Institute (ANSI), 25 W. 43rd St., 4th Floor, New York, NY 10036.

3.1.10 *sideplate length, L, n*—the distance from the free end of the sideplate to the interior vertex of the barrel/sideplate junction, shown in [Fig. 1](#) and [Fig. 2](#).

3.1.11 *sideplate thickness, b, n*—the thickness of the sideplate as shown in [Fig. 1](#) and [Fig. 2](#).

3.1.12 *sideplate width, w, n*—the width of the sideplate as shown in [Fig. 1](#) and [Fig. 2](#).

3.1.13 *thread diameter, n*—the maximum outside diameter of the lag screw (see [Fig. 1](#)).

3.1.14 *thread length, n*—the straight line distance measured between the tip and thread runout positions of the screw (see [Fig. 1](#)).

3.2 *Definitions: Mechanical/Structure:*

3.2.1 *bending strength, n—of the sideplate*, the bending moment necessary to produce a 0.2 % offset displacement in the sideplate when tested as described in [Annex A1](#) of Specification and Test Methods [F 382](#).

3.2.2 *bending structural stiffness,  $El_e$ , n—of the sideplate*, the sideplate's normalized effective bending stiffness that takes into consideration the effects of the test setup's configuration when tested according to the method described in [Annex A1](#) of Specification and Test Methods [F 382](#).

3.2.3 *compression bending stiffness, (K), n—of a device*, the maximum slope of the linear elastic portion of the load versus displacement curve, when tested as described in [Annex A1](#).

3.2.4 *compression bending strength, n—of a device*, the bending moment necessary to produce a 0.2 % offset displacement in the device when tested as described in [Annex A1](#).

3.2.5 *fatigue strength at N cycles, n*—an estimate of the cyclic forcing parameter, for example, load, moment, torque, stress, etc., at a given load ratio, for which 50 % of the specimens within a given sample population would be expected to survive *N* loading cycles.

3.2.6 *fatigue life, N, n*—the number of loading cycles of a specified character that a given specimen sustains before failure of a specified nature occurs.

## 4. Classification

4.1 Angled devices used in general orthopedic surgery represent a subset of bone plates. Angled devices are mainly used in the treatment of fractures in the metaphyseal areas of long bones. Angled devices can be categorized into general types according to the following classifications:

4.1.1 *Blade Plate*—an angled device where the component of the device that is oriented at an angle from the long axis of the bone is fixed relative to the sideplate; this component often is shaped like a blade to achieve fixation into the metaphyses (see [Fig. 2](#)), and

4.1.2 *Compression Hip Screw*—an angled device where the component of the device which is oriented at an angle from the long axis of the bone is free to translate relative to the sideplate through a barrel; this component often achieves fixation into the metaphyses through the use of deep threads (see [Fig. 1](#)).

## 5. Marking, Packaging, Labeling and Handling

5.1 Dimensions of angled devices should be designated by the standard definitions given in [3.1](#).

5.2 Angled devices shall be marked using a method specified in accordance with either Practice [F 983](#) or [ISO 14602](#).

5.3 Markings on angled devices shall identify the manufacturer or distributor and shall be made away from the most highly stressed areas, where possible.

5.4 Packaging shall be adequate to protect the angled device during shipment.

5.5 Package labeling for angled devices shall include when possible the following information;

5.5.1 Manufacturer and product name,

5.5.2 Catalog number,

5.5.3 Lot or serial number,

5.5.4 Material and, where applicable, its associated ASTM specification designation number,

5.5.5 Device angle, between the sideplate and the barrel (blade)

5.5.6 Barrel (blade) length,

5.5.7 Number of screw holes,

5.5.8 Sideplate width,

5.5.9 Sideplate length,

5.5.10 Sideplate thickness,

5.5.11 Screw hole size, and

5.5.12 ASTM specification designation number.

5.6 Bone plates should be cared for and handled in accordance with Practice [F 565](#), as appropriate.

## 6. Materials

6.1 All angled devices made of materials which can be purchased to an ASTM specification shall meet those requirements given in the ASTM specification. Such specification include: [F 67](#), [F 75](#), [F 90](#), [F 139](#), [F 543](#), [F 1295](#), [F 1314](#), [F 1472](#), and [F 1713](#).

6.2 Angled devices of forged Specification [F 136](#) shall meet the requirements of Specification [F 620](#).

6.3 Angled devices of forged Specification [F 138](#) shall meet the requirements of Specification [F 621](#).

## 7. General Requirements and Performance Considerations

7.1 *Geometric Considerations*—For angled devices that are intended to be used with bone screws that conform to [ISO 5835](#) or [ISO 9268](#), the screw holes shall correspond to the dimensions and tolerances of [ISO 5836](#) or [ISO 9269](#), respectively.

7.2 *Bending Properties*—Bending properties are a critical characteristic of angled devices for orthopedic applications since the plate provides the primary means of stabilizing the bone fragments. Additionally, the bending stiffness of the angled device may directly affect the rate and ability of healing.

7.2.1 The relevant compression bending properties (compression bending stiffness and compression bending strength) of the device shall be determined using [Annex A1](#).

7.2.2 The relevant bending properties (bending stiffness, bending structural stiffness and bending strength) of the sideplate shall be determined using the [Annex A1](#) of Specification and Test Methods [F 382](#).

7.2.3 Determine the relevant angled device bending fatigue properties according to the methods described in [Annex A2](#).

7.2.4 Determine the relevant side plate bending fatigue properties according to the methods described in [Annex A2](#) of Specification and Test Methods [F 382](#).

**8. Keywords**

8.1 angled devices; bend testing; blade plate; compression hip screw; fatigue test; orthopedic medical devices; surgical devices; surgical implants

**ANNEXES**

(Mandatory Information)

**A1. STANDARD TEST METHOD FOR SINGLE CYCLE COMPRESSION BEND TESTING OF METALLIC ANGLED ORTHOPEDIC FRACTURE FIXATION DEVICES**

**A1.1 Scope**

A1.1.1 This test method describes methods for single cycle bend testing for determining intrinsic, structural properties of metallic angled orthopedic fracture fixation devices. The test method measures the angled device's compression bending stiffness and compression bending strength.

A1.1.2 This test method is intended to provide a means to mechanically characterize different angled device designs. It is not the intention of this test method to define levels of performance for angled devices, as these characteristics are driven by patient-specific clinical requirements.

A1.1.3 This test method is designed to provide flexibility in the testing configuration so that a range of clinical failure modes for the angled fixation devices (for example, sideplate, lag screw, and barrel fractures) can be evaluated.

A1.1.4 The values stated in SI units are to be regarded as standard. No other units of measurement are included in this standard.

A1.1.5 *This standard does not purport to address all of the safety concerns, if any, associated with its use. It is the responsibility of the user of this standard to establish appropriate safety and health practices and determine the applicability of regulatory limitations prior to use.*

**A1.2 Referenced Documents**<sup>2</sup>

A1.2.1 *ASTM Standards:*

E 4 Practices for Load Verification of Testing Machines

E 122 Practice for Choice of Sample Size to Estimate the Average Quality of a Lot or Process

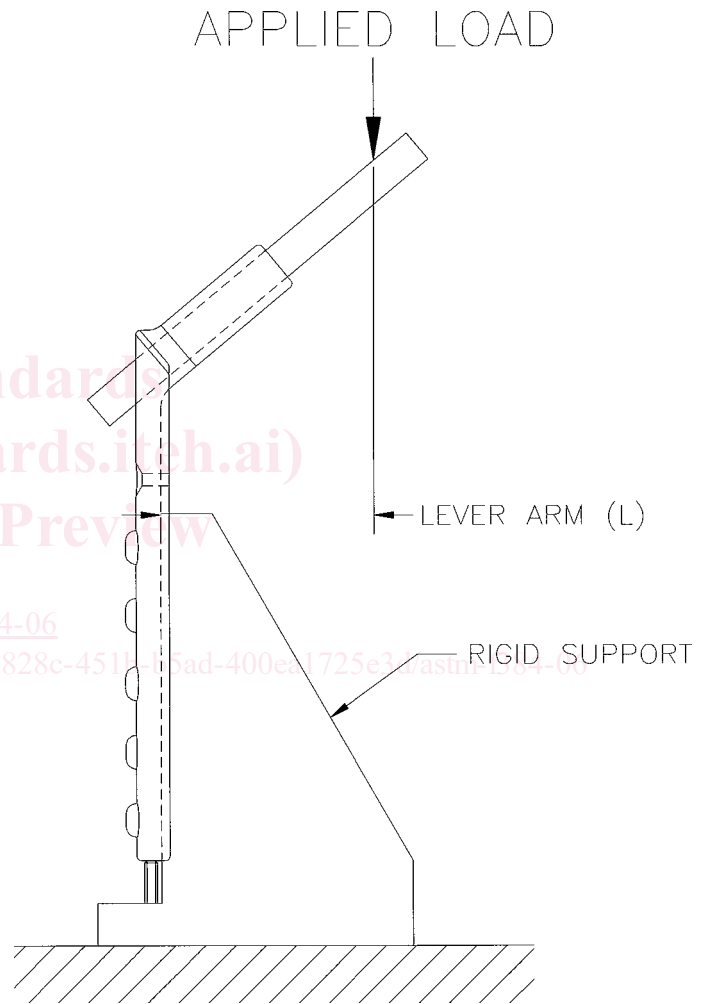
**A1.3 Terminology**

A1.3.1 *Definitions:*

A1.3.1.1 *0.2 % offset displacement,  $q$ ,  $n$* —permanent deformation (mm) equal to 0.2 % of the lever arm length (see point B in Fig. A1.1).

A1.3.1.2 *compression bending stiffness,  $K$ ,  $n$* —of an angled device, the maximum slope (N/m) of the linear elastic portion of the load versus displacement curve, when tested as described in A1.8. (See the slope of line Om in Fig. A1.1).

A1.3.1.3 *compression bending strength,  $n$* —of an angled device, the bending moment (N-m) necessary to produce a 0.2 % offset displacement in the angled device when tested as described in A1.8 (the bending moment corresponding to point P in Fig. A1.1). If the angled device fractures before the proof



**FIG. A1.2 Test Configuration**

load is attained, the compression bending strength shall be defined as the bending moment at fracture.

A1.3.1.4 *fracture load,  $F_{max}$ ,  $n$* —the applied load (N) at the time when the angled device fractures.

A1.3.1.5 *lever arm,  $L$ ,  $n$* —the instantaneous distance (mm) from the line of load application to the surface of the sideplate that is intended to be in contact with the bone at the most proximal location where the sideplate contacts the test fixture support (shown in Fig. A1.2); the initial unloaded angled

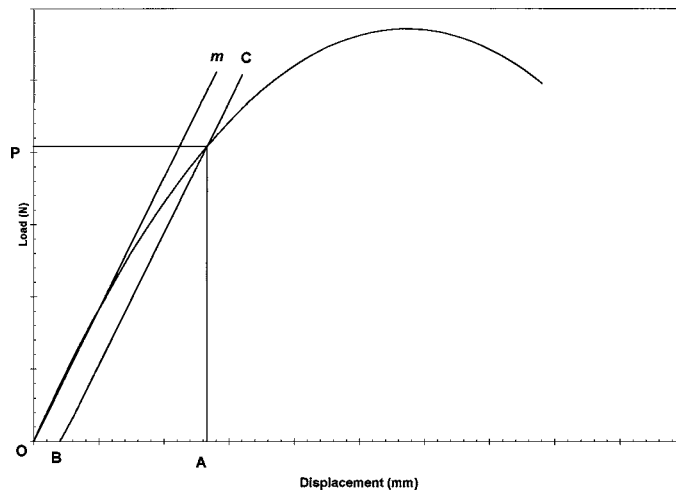


FIG. A1.1 Diagram Illustrating Methods for Determining Bending Properties of Angled Devices

device lever arm length shall be held constant for comparative tests.

A1.3.1.6 *permanent deformation, n*—the relative change (mm) in the load application point’s position (in the direction of the applied load) remaining after the applied load has been removed.

A1.3.1.7 *potential critical stress concentrator, CSC, n*—any change in section modulus, material property, discontinuity, or other feature of an angled device design expected to cause a concentration of stress, that is located in a region of the angled device expected to be highly stressed under the normal anticipated loading conditions.

A1.3.1.8 *proof load, P, n*—the applied load (N) at the intersection point of line BC with the load versus total displacement curve, (see Fig. A1.1).

A1.3.1.9 *proof point displacement, n*—the total displacement associated with the angled device’s compression bending strength, (see point A in Fig. A1.1).

A1.3.1.10 *total displacement, n*—the relative change (mm) in the load application point’s position (in the direction of the applied load) when a specified load is applied.

#### A1.4 Summary of Test Method

A1.4.1 Angled devices are subjected to a single-cycle load introduced at the device’s angled portion. This results in the simultaneous application of compressive and cantilever bending stresses to the device. The device’s compression bending stiffness and compression bending strength are then derived from the test record generated during the test using relevant test configuration parameters.

#### A1.5 Significance and Use

A1.5.1 This compression bend test is used to determine values for the mechanical response of angled devices to a specific type of bending load. The information resulting from this test can give the surgeon some insight into the mechanical response of a given angled device.

A1.5.2 Since the loading on the angled device *in situ* will, in general, differ from the loading configuration used in this test method, the results obtained from this test method cannot be

used directly to predict *in vivo* performance of the angled device being tested. Such mechanical property data can be used to conduct relative comparisons of different angled device designs.

A1.5.3 Since the test method provides flexibility to evaluate a variety of clinical failure modes, the user must first determine which failure mode will be evaluated. Furthermore, the user should determine the relevance of the failure mode for the angled device being evaluated.

A1.5.4 The angled device’s compression bending stiffness, as defined in A1.3.1.2, is an indicator of the angled device’s stiffness when subjected to a compression-bending load. This mechanical property is a comparative indicator of the stability that the user can achieve in the treatment of metaphyseal fractures with the angled device.

A1.5.5 The angled device’s compression bending strength, as defined in A1.3.1.3, identifies the bending moment that must be applied to the angled device in order to produce a specific amount of permanent deformation.

A1.5.6 This test method assumes that linear-elastic material behavior will be observed and, therefore, the test method is not applicable for the testing of materials that exhibit non-linear elastic behavior.

#### A1.6 Apparatus

A1.6.1 A typical test configuration is illustrated in Fig. A1.2.

A1.6.2 The plate of the angled device being tested is rigidly attached to an anchor block that is fully constrained. Alternative test setups are allowed (for example, the device support is unconstrained with rollers as allowed by the previous version of this standard) as long as the following conditions are met.

A1.6.2.1 The angled device shall be loaded in such a manner to satisfy the goals or requirements of A1.4.1, A1.5.1, and X2.1.

A1.6.2.2 If the angled device’s support is allowed to translate normal to the test machine’s loading axis in reaction to the applied load during the test, then the lever arm distance shall be monitored during the test. This information shall then be used

to correct the load versus displacement curve and the compression bending stiffness and strength values calculated in **A1.8.2.1**.

**A1.6.2.3** If the loading adapter's contact point is allowed to translate normal to the test machine's loading axis in reaction to the applied load during the test, then the lever arm distance shall be monitored during the test. This information shall then be used to correct the load versus displacement curve and the compression bending stiffness and strength values calculated in **A1.8.2.1**.

**A1.6.3** The applied load should act only parallel to the sideplate's long axis. Apply the load at a point that will produce a lever arm length that is equivalent to 80 % of either the blade length or the longest screw. Equivalent lever arm lengths must be used for comparative tests. Deviations to this requirement shall be noted and justified in the final report. Additionally, the application of off axis loads to the load cell must be avoided since, depending on their magnitude, they can confound the determination of the device's actual loading condition.

**A1.6.4** The test fixture should, in general, support the angled device in such a way to generate the failure being evaluated (sideplate, lag screw, or barrel fracture). A typical configuration that can be used to evaluate the angled device's sideplate failure characteristics is illustrated in **Fig. A1.2**.

**A1.6.5** The device being tested should be suitably anchored to the support fixture. The intent of the test method is to evaluate the angled device and not the sideplate anchors.

**A1.6.6** Displacement shall be measured as the displacement of the load application point parallel to the sideplate's long axis.

**A1.6.7** Alternative loading configurations are allowed<sup>4</sup> but must be noted and fully described in the final report.

**A1.6.8** Machines used for the bending test shall conform to the requirements of Practice **E 4**.

**A1.6.9** The test machine and fixtures (test system) should be sufficiently stiff that their deformation under the load is negligible relative to that of the angled device being tested. The test system's machine compliance (combined test machine and fixture compliance) should be measured and reported. Typically, the test system's machine compliance should be less than 1 % of the tested angled device's compliance.

## A1.7 Sampling

**A1.7.1** Determine sample size using the methods outlined in Practice **E 122**.

**A1.7.2** In those circumstances when there is insufficient information to utilize the guidance of Practice **E 122**, the sample size shall be no less than three.

**A1.7.3** Angled devices of different lengths but nominally identical cross-sections, and made of the same material, may be used to constitute a sample.

**A1.7.4** Only unused and untested angled devices are allowed for the comparative tests.

<sup>4</sup> Peterson, R. R., Lynch, G. E., Brasher, T. W., "Cyclic Cantilever Fatigue Testing of Compression Hip Screw Plates," *ASTM STP 1217, Clinical and Laboratory Performance of Bone Plates*, pp. 72-81, 1994, American Society of Testing and Materials, West Conshohocken, PA 19428.

## A1.8 Procedure

**A1.8.1** Apply loads of increasing magnitude to the angled device at a recommended test control rate of 10 mm/min, and generate a load versus displacement diagram either autographically or from numeric data acquired during the test. Displacement-controlled testing is strongly preferred over load-controlled testing. The measured deformation behavior past the yield point can be different for load-controlled testing due to non-linear displacement rates.

**A1.8.2** Determine the compression bending stiffness and compression bending strength for each tested angled device according to the following:

**A1.8.2.1** Produce a load versus displacement curve (see **Fig. A1.1**) either autographically or from numerical data acquired during the test.

**A1.8.2.2** On the load versus displacement diagram generated during the test, draw a best-fit straight line (*Om*) through the initial (linear) portion of the load versus displacement curve.

**A1.8.2.3** Determine the angled device's compression bending stiffness by calculating the slope of the line, *Om*, drawn in **A1.8.2.2**.

**A1.8.2.4** Calculate the 0.2 % offset displacement (*q*) from the equation:

$$q = 0.002 \cdot L \quad (\text{A1.1})$$

where:

*L* = the lever arm.

**A1.8.2.5** On the load versus displacement diagram, lay off *OB* equal to *q*. Then draw line *BC* parallel to *Om*.

**A1.8.2.6** Locate the proof load at the intersection point of line *BC* with the load versus displacement curve.

**A1.8.2.7** Calculate the compression bending strength of the angled device from the equation:

$$\text{compression bending strength} = P \cdot L \quad (\text{A1.2})$$

where:

*P* = the proof load, and

*L* = the lever arm.

**A1.8.2.8** If the angled device fractures prior to the intersection of the load versus displacement curve and the offset line *BC*, calculate the compression bending strength from the equation:

$$\text{compression bending strength} = F_{max} \cdot L \quad (\text{A1.3})$$

where:

*F<sub>max</sub>* = the fracture load, and

*L* = the lever arm.

## A1.9 Report

**A1.9.1** Report the following information:

**A1.9.1.1** Adequate description of the test article, including the number of angled devices tested,

**A1.9.1.2** Adequate description of the test configuration,

**A1.9.1.3** The unloaded lever arm length (*L*),

**A1.9.1.4** The 0.2 % offset displacement used to determine the compression bending strength,

**A1.9.1.5** Mean and standard deviations of the compression bending stiffness values for the set of angled devices tested,