



**INTERNATIONAL STANDARD ISO 15502:2005**  
**TECHNICAL CORRIGENDUM 1**

Published 2007-02-15

INTERNATIONAL ORGANIZATION FOR STANDARDIZATION • МЕЖДУНАРОДНАЯ ОРГАНИЗАЦИЯ ПО СТАНДАРТИЗАЦИИ • ORGANISATION INTERNATIONALE DE NORMALISATION

## **Household refrigerating appliances — Characteristics and test methods**

### **TECHNICAL CORRIGENDUM 1**

Technical Corrigendum 1 to ISO 15502:2005 was prepared by Technical Committee ISO/TC 86, *Refrigeration and air-conditioning*, Subcommittee SC 5, *Testing and rating of household refrigeration appliances*.

## **iTeh STANDARD PREVIEW** **(standards.iteh.ai)**

[ISO 15502:2005/Cor 1:2007](https://standards.iteh.ai/catalog/standards/sist/6d66bed8-4f94-4d20-8aa4-7667d811ec15/iso-15502-2005-cor-1-2007)

<https://standards.iteh.ai/catalog/standards/sist/6d66bed8-4f94-4d20-8aa4-7667d811ec15/iso-15502-2005-cor-1-2007>

#### *Page 1, Normative references*

Date and correct the reference to IEC 60335-2-24 by replacing it with the following:

IEC 60335-2-24:2006, *Household and similar electrical appliances — Safety — Part 2-24: Particular requirements for refrigerating appliances, ice-cream appliances and ice-makers*

Delete the footnote.

#### *Page 56, Note to Figure 15*

Replace the Note with the following, thereby deleting an incorrect cross-reference to Figure 13:

NOTE The arrangements for cellar compartments also apply to appliances that consist only of a cellar compartment. For different evaporator arrangements in the fresh-food compartment, see also Figure 14.

#### *Page 59, Figure 17*

Add “Dimensions in millimetres” to the top right-hand corner of the figure.

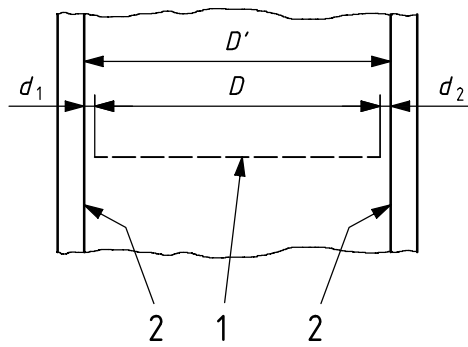
#### *Pages 65 and 66, Figures 18 and 19*

Replace Figures 18 and 19 with the following, whose legends have been corrected and to which captions have been added.

---

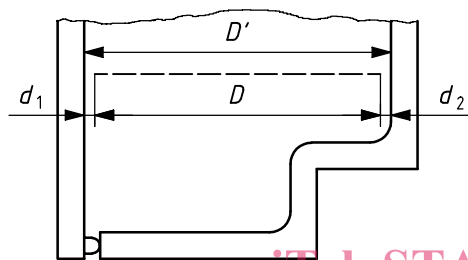
**ICS 97.040.30**

**Ref. No. ISO 15502:2005/Cor.1:2007(E)**



If  $d_1 + d_2 \leq 20$  mm:  
 dimension of shelf =  $D'$   
 If  $d_1 + d_2 > 20$  mm:  
 dimension of shelf =  $D$

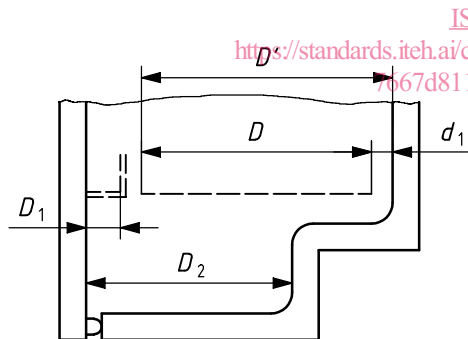
a) Determination of width of shelf



If  $d_1 + d_2 \leq 20$  mm:  
 dimension of shelf =  $D'$   
 If  $d_1 + d_2 > 20$  mm:  
 dimension of shelf =  $D$

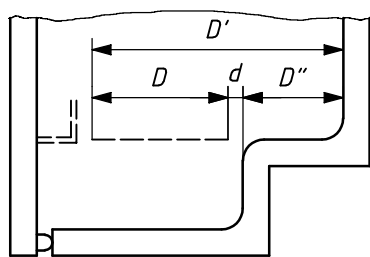
b) Determination of depth of shelf

**ITeh STANDARD PREVIEW**  
 (standards.iteh.ai)



ISO 15502:2005/Cor 1:2007  
<http://standards.iteh.ai/catalog/standards/sist/2000ed8-4f94-4d20-8aa4-7067d811ec15/iso-15502-2005-cor-1-2007>  
 If  $d_1 \leq 20$  mm:  
 dimension of shelf =  $D'$   
 If  $d_1 > 20$  mm:  
 dimension of shelf =  $D$   
 $D_1$  dimension of door shelf  
 $D_2$  dimension of bottom of refrigerating appliance

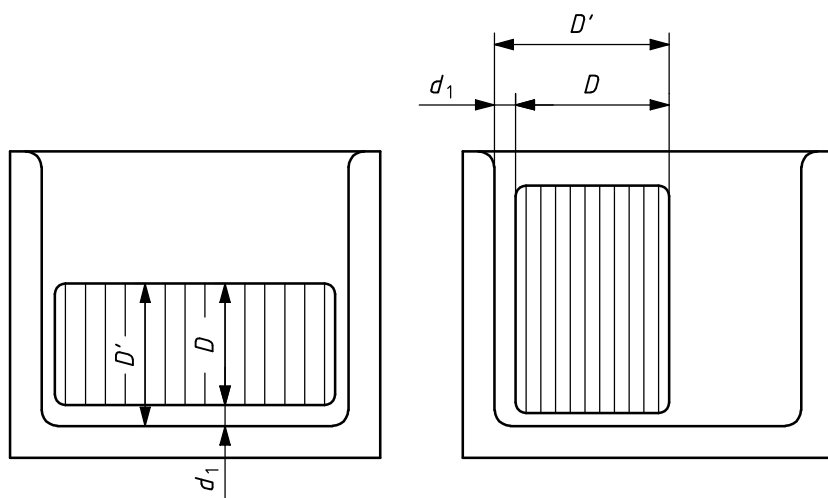
c) Determination of depth of shelf of upright-type refrigerating appliance



If  $d \leq 20$  mm:  
 dimension of shelf =  $D'$   
 If  $d > 20$  mm:  
 two shelves of dimensions  $D$  and  $D''$

d) Determination of depth of shelf with juxtaposed parts

Figure 18 — Examples of determination of dimensions for calculating shelf area (see 7.3)



If  $d_1 \leq 20$  mm:  
 dimension of shelf =  $D'$   
 If  $d_1 > 20$  mm:  
 dimension of shelf =  $D$

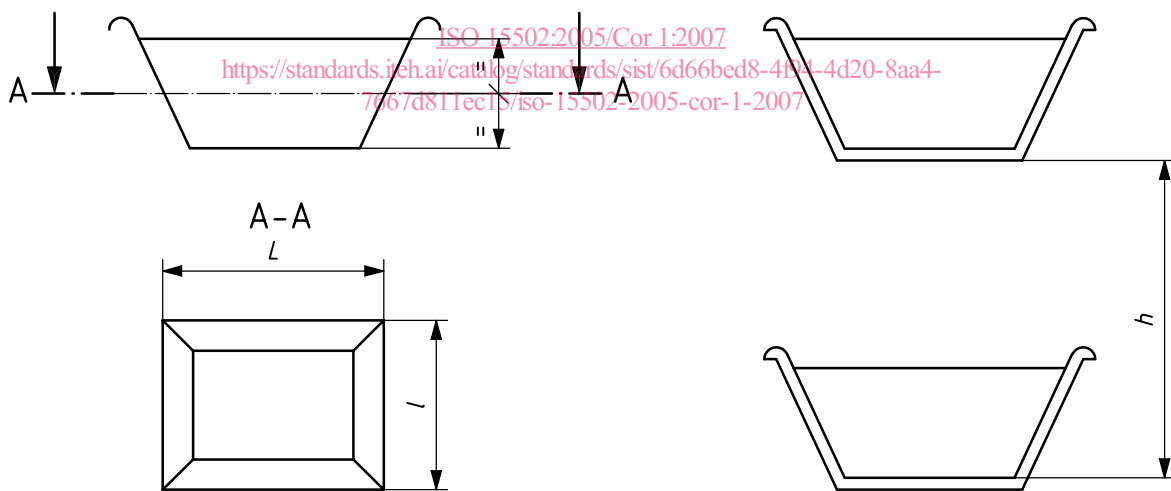
e) Determination of width and depth of fractional shelves

**Key**

- 1 shelf
- 2 inner wall

Figure 18 — Examples of determination of dimensions for calculating shelf area (see 7.3) (continued)

iTech STANDARD PREVIEW  
 (standards.iteh.ai)



a) Area of basket

b) Vertical clearance above basket

$h \geq 80$  mm

$h \geq 52$  mm for any frozen-food storage compartment

Figure 19 — Examples of determination of mean dimensions for calculating basket area (see 7.3.2.6, 7.3.2.7.2 and 7.3.2.7.3)

*Page 74, Annex B, B.1*

In the definition of *D* given after the formula, correct the cross-reference to the subclause from 3.6.21 to 3.6.20.

*Page 81, Bibliography*

Change the date of Reference [3] from 1989 to 2004.

Correct the title of Reference [4] to *Household and similar electrical appliances — Safety — Part 1: General requirements*.

**iTeh STANDARD PREVIEW**  
**(standards.iteh.ai)**

[ISO 15502:2005/Cor 1:2007](https://standards.iteh.ai/catalog/standards/sist/6d66bed8-4f94-4d20-8aa4-7667d811ec15/iso-15502-2005-cor-1-2007)  
<https://standards.iteh.ai/catalog/standards/sist/6d66bed8-4f94-4d20-8aa4-7667d811ec15/iso-15502-2005-cor-1-2007>