
**Fire-resistance tests — Door and shutter
assemblies**

Essais de résistance au feu — Assemblages porte et volet

iTeh STANDARD PREVIEW
(standards.iteh.ai)

[ISO 3008:2007](https://standards.iteh.ai/catalog/standards/sist/f7c75504-134c-42bd-ab96-42f3905ce43a/iso-3008-2007)

<https://standards.iteh.ai/catalog/standards/sist/f7c75504-134c-42bd-ab96-42f3905ce43a/iso-3008-2007>



PDF disclaimer

This PDF file may contain embedded typefaces. In accordance with Adobe's licensing policy, this file may be printed or viewed but shall not be edited unless the typefaces which are embedded are licensed to and installed on the computer performing the editing. In downloading this file, parties accept therein the responsibility of not infringing Adobe's licensing policy. The ISO Central Secretariat accepts no liability in this area.

Adobe is a trademark of Adobe Systems Incorporated.

Details of the software products used to create this PDF file can be found in the General Info relative to the file; the PDF-creation parameters were optimized for printing. Every care has been taken to ensure that the file is suitable for use by ISO member bodies. In the unlikely event that a problem relating to it is found, please inform the Central Secretariat at the address given below.

iTeh STANDARD PREVIEW
(standards.iteh.ai)

[ISO 3008:2007](https://standards.iteh.ai/catalog/standards/sist/f7c75504-134c-42bd-ab96-42f3905ce43a/iso-3008-2007)

<https://standards.iteh.ai/catalog/standards/sist/f7c75504-134c-42bd-ab96-42f3905ce43a/iso-3008-2007>



COPYRIGHT PROTECTED DOCUMENT

© ISO 2007

All rights reserved. Unless otherwise specified, no part of this publication may be reproduced or utilized in any form or by any means, electronic or mechanical, including photocopying and microfilm, without permission in writing from either ISO at the address below or ISO's member body in the country of the requester.

ISO copyright office
Case postale 56 • CH-1211 Geneva 20
Tel. + 41 22 749 01 11
Fax + 41 22 749 09 47
E-mail copyright@iso.org
Web www.iso.org

Published in Switzerland

Contents

Page

Foreword.....	iv
Introduction	v
1 Scope	1
2 Normative references	1
3 Terms and definitions	2
4 Test equipment	3
5 Test conditions	4
6 Test specimen	4
6.1 Size of specimen.....	4
6.2 Number of specimens	4
6.3 Design of specimen	4
6.4 Construction.....	4
6.5 Verification	4
7 Installation of test specimen	5
7.1 General.....	5
7.2 Supporting construction.....	5
7.3 Test construction.....	5
7.4 Gaps	14
8 Conditioning.....	18
8.1 Moisture content.....	18
8.2 Mechanical.....	18
9 Application of instrumentation.....	19
9.1 Temperature measurements.....	19
9.2 Maximum temperature	34
9.3 Temperature of door frame.....	35
9.4 Pressure measurements	35
9.5 Heat-flux measurement	36
9.6 Deflection.....	37
10 Test procedure	41
11 Performance criteria	42
11.1 Integrity.....	42
11.2 Insulation	43
12 Test report	43
13 Field of direct application of test results	43
13.1 General.....	43
13.2 Timber constructions	44
13.3 Steel constructions.....	44
13.4 Glazed constructions	44
13.5 Fixings/Hardware.....	44
Annex A (normative) Conditioning requirements for supporting constructions	46
Annex B (informative) Estimation of radiant heat flux using measured surface temperature and the Stefan-Blotzmann law	47
Bibliography	49

Foreword

ISO (the International Organization for Standardization) is a worldwide federation of national standards bodies (ISO member bodies). The work of preparing International Standards is normally carried out through ISO technical committees. Each member body interested in a subject for which a technical committee has been established has the right to be represented on that committee. International organizations, governmental and non-governmental, in liaison with ISO, also take part in the work. ISO collaborates closely with the International Electrotechnical Commission (IEC) on all matters of electrotechnical standardization.

International Standards are drafted in accordance with the rules given in the ISO/IEC Directives, Part 2.

The main task of technical committees is to prepare International Standards. Draft International Standards adopted by the technical committees are circulated to the member bodies for voting. Publication as an International Standard requires approval by at least 75 % of the member bodies casting a vote.

Attention is drawn to the possibility that some of the elements of this document may be the subject of patent rights. ISO shall not be held responsible for identifying any or all such patent rights.

ISO 3008 was prepared by Technical Committee ISO/TC 92, *Fire safety*, Subcommittee SC 2, *Fire containment*.

This third edition cancels and replaces the second edition (ISO 3008:2006), which has been technically revised, specifically with changes to the wording of the Note to Figure 17 to 9.1.2.5 and to the list in 9.2.5, and minor editorial changes to improve consistency of style and clarity.

[ISO 3008:2007](https://standards.iteh.ai/catalog/standards/sist/f7c75504-134c-42bd-ab96-42f3905ce43a/iso-3008-2007)

<https://standards.iteh.ai/catalog/standards/sist/f7c75504-134c-42bd-ab96-42f3905ce43a/iso-3008-2007>

Introduction

This document contains specific requirements for fire-resistance testing which are unique to the elements of building construction described as doors and shutters. The requirements for these doors and shutters are intended to be applied in appropriate conjunction with the detailed and general requirements contained in ISO 834-1.

iTeh STANDARD PREVIEW (standards.iteh.ai)

[ISO 3008:2007](https://standards.iteh.ai/catalog/standards/sist/f7c75504-134c-42bd-ab96-42f3905ce43a/iso-3008-2007)

<https://standards.iteh.ai/catalog/standards/sist/f7c75504-134c-42bd-ab96-42f3905ce43a/iso-3008-2007>

iTeh STANDARD PREVIEW
(standards.iteh.ai)

ISO 3008:2007

<https://standards.iteh.ai/catalog/standards/sist/f7c75504-134c-42bd-ab96-42f3905ce43a/iso-3008-2007>

Fire-resistance tests — Door and shutter assemblies

CAUTION — The attention of all persons concerned with managing and carrying out this fire-resistance test is drawn to the fact that fire testing may be hazardous and that there is a possibility that toxic and/or harmful smoke and gases may be evolved during the test. Mechanical and operational hazards may also arise during the construction of the test elements or structures, their testing and disposal of test residues.

An assessment of all potential hazards and risks to health shall be made and safety precautions shall be identified and provided. Written safety instructions shall be issued. Appropriate training shall be given to relevant personnel. Laboratory personnel shall ensure that they follow written safety instructions at all times.

1 Scope

This International Standard, used in conjunction with ISO 834-1, specifies a method for determining the fire resistance of door and shutter assemblies designed primarily for installation within openings incorporated in vertical separating elements, such as

- hinged and pivoted doors, standards.iteh.ai
- horizontally sliding and vertically sliding doors, including articulated sliding doors and sectional doors, <https://standards.iteh.ai/catalog/standards/sist/f7c75504-134c-42bd-ab96->
- steel single-skin folding shutters (un-insulated), <https://standards.iteh.ai/catalog/standards/sist/f7c75504-134c-42bd-ab96->
- other sliding, folding doors,
- tilting doors,
- rolling shutter doors,
- removable panels in walls.

This method can also be used to determine the fire resistance of non-loadbearing horizontal doors by analogy. However, these are not specifically addressed here and the field of direct application given in Clause 13 is not valid for horizontally oriented doors.

No requirements are included for mechanical conditioning, e.g. “shakedown” or durability as these are included in the relevant product standard or for smoke leakage testing of doors and shutters; for the latter, see ISO 5925-1.

2 Normative references

The following referenced documents are indispensable for the application of this document. For dated references, only the edition cited applies. For undated references, the latest edition of the referenced document (including any amendments) applies.

ISO 834-1:1999, *Fire-resistance tests — Elements of building construction — Part 1: General requirements*

ISO 834-8, *Fire-resistance tests – Elements of building construction — Part 8: Specific requirements for non-loadbearing vertical separating elements*

ISO 13943, *Fire safety — Vocabulary*

3 Terms and definitions

For the purposes of this document, the terms and definitions given in ISO 834-1, ISO 13943 and the following apply.

3.1 associated supporting construction
specific construction in which the door or shutter assembly is installed as intended for use in practice and which is used to close off the furnace and provide the levels of restraint and thermal heat transfer to be experienced in normal use

3.2 cill
member that spans between two frame jambs at the base, which might or might not be set into the floor, and that remains visible

3.3 door assembly
door set
complete assembly, consisting of pivoted, hinged or sliding door leaves or leaf including any frame that is provided for closing of permanent openings in separating elements

NOTE This includes all side panels, vision panels or transom panels. The assembly shall be complete with grilles and louvers together with the door hardware and any fire seals, smoke seals, draught seals, acoustic seals that are used in the assembly.

<https://standards.iteh.ai/catalog/standards/sist/f7c75504-134c-42bd-ab96-42f3905ce43a/iso-3008-2007>

3.4 door hardware
items such as hinges, handles, locks, panic bar(s), escutcheons, letter plates, kick plates, sliding gear, closing devices, electrical components, wiring, etc., that are, or can be, used in the door or shutter assembly

3.5 double action
action of a fire door leaf that opens in both directions

3.6 fire seal
seal fitted to the frame or to the leaf edge for the purpose of extending the period of integrity of the assembly

3.7 floor
upper surface of the horizontal element on which the door or shutter assembly is mounted and which extends from the exposed face to the unexposed face of the assembly

3.8 flush over panel
fixed panel fitted within the head and jambs above the door leaf without a transom fitted

3.9 gap
clearance between two nominally adjacent surfaces and/or edges, e.g. between the edge of a leaf and the frame or face of the leaf and the frame stop

3.10**primary leaf**

leaf of a multi-leaved door assembly that is the largest and/or has the handle attached to it as the preferred leaf for general operation

NOTE If the leaves of a multi-leaved door are the same size and if the handles (or other hardware such as push plates) are fitted to all leaves, then no primary leaf exists for that door assembly.

3.11**shutter assembly**

complete assembly consisting of rolling, folded or sliding curtains, including guides, rollers, tracks, and operating mechanism and housings

3.12**side panel**

fixed panel that is incorporated to one side of a door that is part of the test specimen

3.13**single action**

action of a fire door leaf that opens in only one direction

3.14**smoke seal**

seal fitted to the frame or to the leaf edge for the purpose of restricting the flow of smoke or hot gases

3.15**standard supporting construction**

form of construction used to close off the furnace and to support the door or shutter assembly being evaluated and which has a quantifiable influence on both the thermal heat transfer between the construction and the test specimen and provides known resistance to thermal distortion

[ISO 3008:2007](https://standards.iteh.ai/catalog/standards/sist/f7c75504-134c-42bd-ab96-42f3905ce43a/iso-3008-2007)

3.16**test specimen**

door or shutter assembly that is installed in a standard or associated supporting construction to allow its evaluation

<https://standards.iteh.ai/catalog/standards/sist/f7c75504-134c-42bd-ab96-42f3905ce43a/iso-3008-2007>

3.17**through connection**

fixing or internal spacer that either penetrates through the door or shutter construction from one face to another or directly connects the faces one to the other

3.18**transom**

member that extends across the frame from jamb to jamb at the head of the leaf and that creates an aperture to house a transom panel

3.19**transom panel**

fixed panel that is incorporated above a door and is bounded on all edges by either the frame head, the jambs or the transom

4 Test equipment

4.1 The test equipment shall be as specified in ISO 834-1. The furnace used shall be related to the orientation of the test specimen. For vertical specimens, the wall testing furnace is suitable, for horizontal specimens, the floor furnace is applicable.

4.2 Measurement of heat flux from the unexposed surface of specimens shall be made as described in 9.5.

5 Test conditions

Test conditions require the application of the heating and pressure conditions of the standard test as defined in ISO 834-1.

6 Test specimen

6.1 Size of specimen

The test specimen and all its components shall be full size. When this is restricted by the size of the opening of the furnace (which is normally 3 m × 3 m), the door or shutter assembly shall be tested at the maximum size possible and the fire resistance of the full sized assembly shall be derived by an extended application analysis. However, the minimum dimensions of supporting construction shall not be less than that prescribed in 7.3.1.

6.2 Number of specimens

The number of test specimens shall be selected as described in ISO 834-1. If testing is carried out from one side only, it shall be stated in the test report whether this is due to the symmetrical nature of the door or because it is required to resist fire from one side only.

6.3 Design of specimen

6.3.1 The design of the test specimen and the choice of supporting construction shall take into account the requirements of 7.3 if the widest field of direct application is to be achieved.

6.3.2 Where the door or shutter assembly incorporates side, transom or flush over panels, whether glazed or unglazed, these shall be tested as part of the door or shutter assembly. The side panel shall always be on the latch side.

6.3.3 The test specimen shall be fully representative of the door or shutter assembly as intended for use in practice, including any appropriate surface finishes and fittings that are an essential part of the specimen and that can influence its behaviour in a test construction.

6.4 Construction

The test specimen shall be constructed as described in ISO 834-1.

6.5 Verification

6.5.1 The sponsor shall provide a specification to a level of detail sufficient to allow the laboratory to conduct a detailed examination of the specimen before the test and to agree on the accuracy of the information supplied. ISO 834-1 provides detailed guidance on verification of the test specimen.

6.5.2 When the method of construction precludes a detailed survey of the specimen without having to permanently damage it, or if it is considered that it will subsequently be impossible to evaluate construction details from a post-test examination, then one of two options shall be exercised by the laboratory:

- either the laboratory shall oversee the manufacture of the door or shutter assembly(ies) subjected to the test,
- or the sponsor shall, at the discretion of the laboratory, be requested to supply an additional assembly or that part of the assembly that cannot be verified (e.g. a door leaf) in addition to the number required for the testing. The laboratory shall then choose freely which of these shall be subjected to the testing and which shall be used to verify the construction.

7 Installation of test specimen

7.1 General

7.1.1 The test specimen shall be installed as intended for use in practice, incorporating all hardware and other items that can influence the performance of the specimen.

7.1.2 The test specimen shall be mounted in a supporting construction, the field of application of which covers the type (see 7.3.1) in which it is intended for use. The design of the connection between the test specimen and the supporting construction, including any fixings and materials used to make the connection, shall be as intended for use in practice and shall be regarded as part of the test specimen.

7.1.3 The whole area of the test specimen, together with at least the minimum dimensions of the supporting construction required by 7.3.1, shall be exposed to the heating conditions.

7.2 Supporting construction

The fire resistance of any supporting construction shall not be determined from a test in conjunction with a test specimen and shall be at least commensurate with that anticipated for the test specimen.

7.3 Test construction

7.3.1 Associated and supporting construction

The space between the specimen and the frame shall be filled with either

— associated construction, or

— supporting construction.

[ISO 3008:2007](https://standards.iteh.ai/catalog/standards/sist/f7c75504-134c-42bd-ab96-428905a43a5a/iso-3008-2007)

[https://standards.iteh.ai/catalog/standards/sist/f7c75504-134c-42bd-ab96-](https://standards.iteh.ai/catalog/standards/sist/f7c75504-134c-42bd-ab96-428905a43a5a/iso-3008-2007)

There shall be a minimum zone, 200 mm wide, of supporting construction exposed within the furnace each side and over the top of the aperture into which the test specimen is fixed. The thickness of the supporting construction may be increased outside of the 200 mm zone. The test construction may incorporate more than one test specimen providing that there is a minimum separation of 200 mm between each specimen and between the specimens and the edge of the furnace.

7.3.2 Associated construction

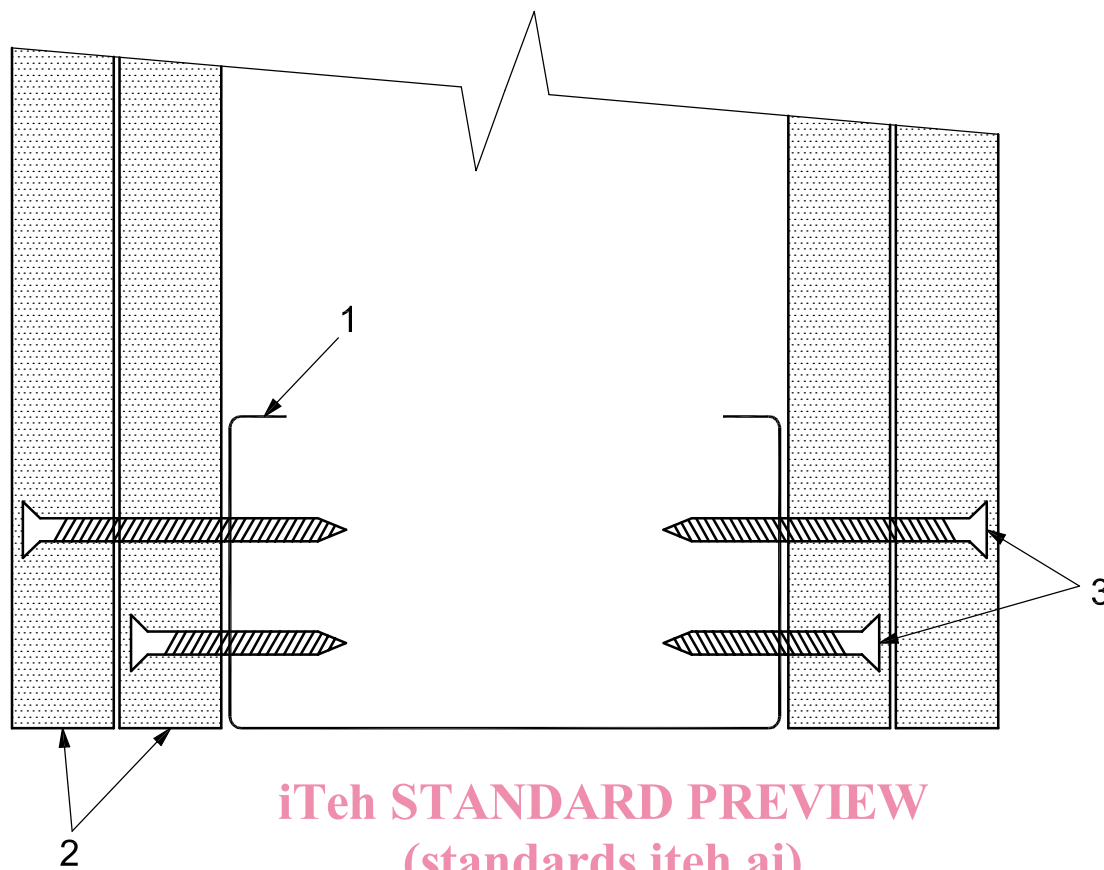
When the test specimen is always installed in a specific, normally proprietary form of construction, that is permanently associated with its intended use in practice, then the specimen shall be installed in a sample of this associated construction.

7.3.3 Supporting construction

7.3.3.1 Where the test specimen is not permanently associated with a specific form of construction, the area between the test specimen and the support frame shall be filled with a rigid or flexible standard supporting construction as specified in ISO 834-8.

7.3.3.2 The choice of standard supporting construction shall reflect the range of intended use for the door or shutter assembly. The rules governing the applicability of the chosen standard supporting construction to other end use situations are given in Clause 13.

7.3.3.3 Figures 1 to 8 illustrate the use of supporting constructions in conjunction with the mounting of specimens of different types.



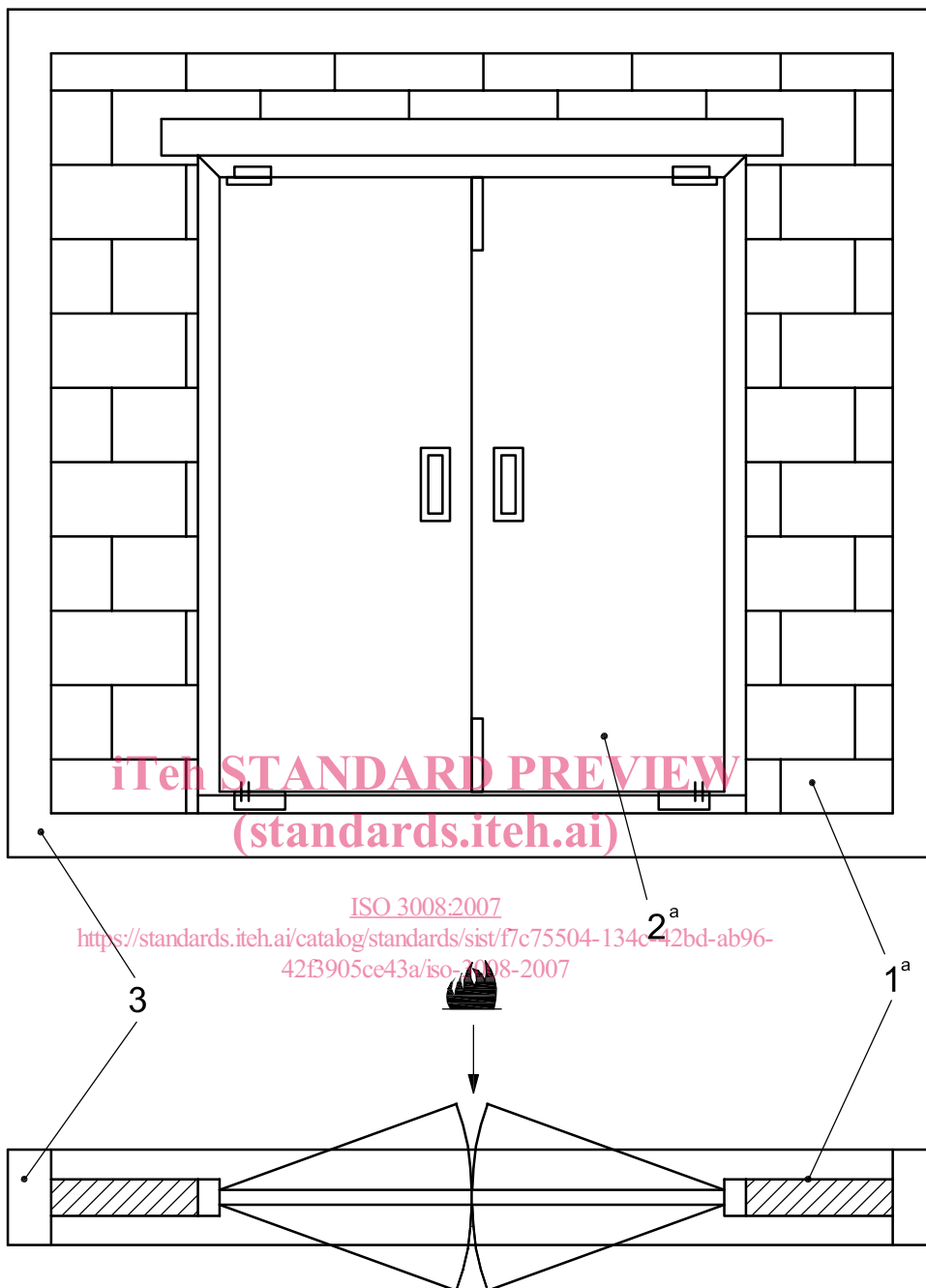
iTeh STANDARD PREVIEW
(standards.iteh.ai)

Key

- 1 steel vertical "C" stud
- 2 12,5 mm plasterboard
- 3 screws at 300 mm fixing centres

<https://standards.iteh.ai/catalog/standards/sist/f7c75504-134c-42bd-ab96-42f3905ce43a/iso-3008-2007>

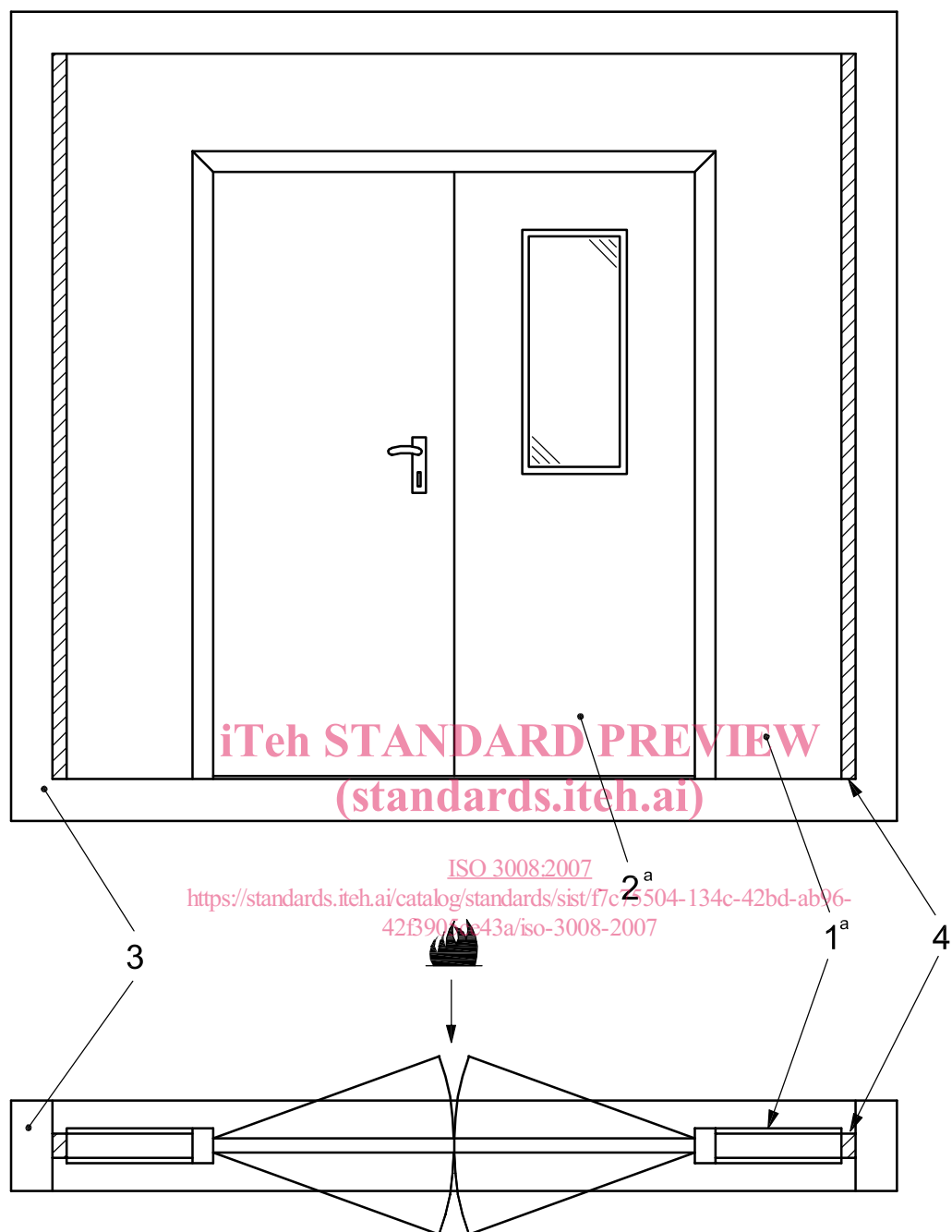
Figure 1 — Example of a horizontal cross-section of a flexible standard supporting construction



Key

- 1 standard supporting construction (block wall)
- 2 door assembly (test specimen)
- 3 test frame
- ^a Key items 1 and 2 form the test construction.

Figure 2 — Example of door assembly in a rigid standard supporting construction

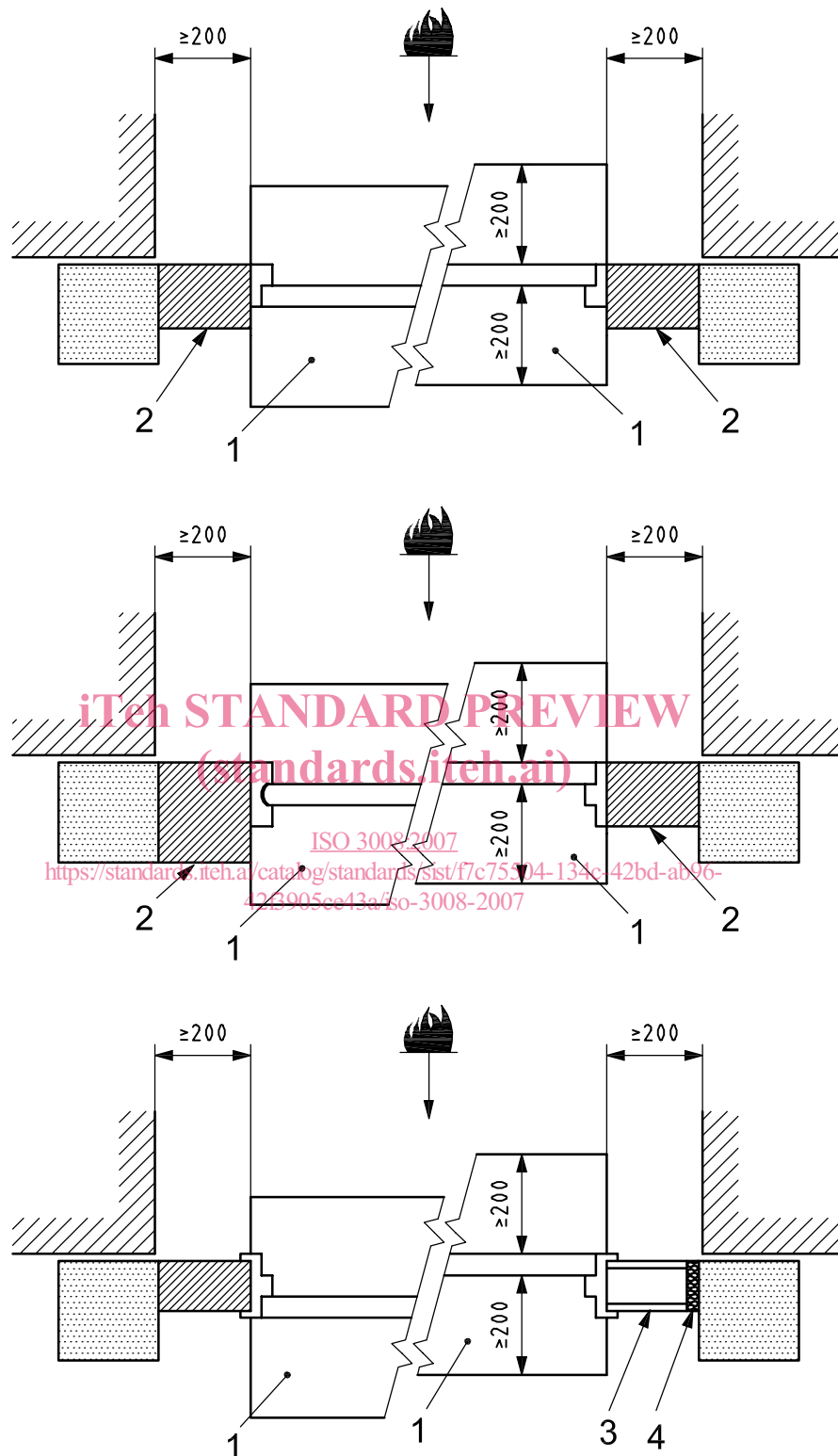


Key

- 1 standard or associated supporting construction
 - 2 door assembly (test specimen)
 - 3 test frame
 - 4 free edge insulation
- ^a Key items 1 and 2 form the test construction.

Figure 3 — Example of a door assembly in flexible standard or associated supporting construction

Dimensions in millimetres



Key

- 1 floor
- 2 standard supporting construction
- 3 associated supporting construction
- 4 free edge insulation

Figure 4 — Example of horizontal sections for mounting hinged door specimens