
Thermal insulating products for building applications — Determination of short-term water absorption by partial immersion

Produits isolants thermiques destinés aux applications du bâtiment — Détermination de l'absorption d'eau à court terme par immersion

iTeh **STANDARD PREVIEW**
partielle
(standards.iteh.ai)

ISO 29767:2008

<https://standards.iteh.ai/catalog/standards/sist/125b6e3f-5339-472d-81f3-d66231ff933c/iso-29767-2008>



PDF disclaimer

This PDF file may contain embedded typefaces. In accordance with Adobe's licensing policy, this file may be printed or viewed but shall not be edited unless the typefaces which are embedded are licensed to and installed on the computer performing the editing. In downloading this file, parties accept therein the responsibility of not infringing Adobe's licensing policy. The ISO Central Secretariat accepts no liability in this area.

Adobe is a trademark of Adobe Systems Incorporated.

Details of the software products used to create this PDF file can be found in the General Info relative to the file; the PDF-creation parameters were optimized for printing. Every care has been taken to ensure that the file is suitable for use by ISO member bodies. In the unlikely event that a problem relating to it is found, please inform the Central Secretariat at the address given below.

iTeh STANDARD PREVIEW
(standards.iteh.ai)

ISO 29767:2008

<https://standards.iteh.ai/catalog/standards/sist/125b6e3f-5339-472d-81f3-d66231ff933c/iso-29767-2008>



COPYRIGHT PROTECTED DOCUMENT

© ISO 2008

All rights reserved. Unless otherwise specified, no part of this publication may be reproduced or utilized in any form or by any means, electronic or mechanical, including photocopying and microfilm, without permission in writing from either ISO at the address below or ISO's member body in the country of the requester.

ISO copyright office
Case postale 56 • CH-1211 Geneva 20
Tel. + 41 22 749 01 11
Fax + 41 22 749 09 47
E-mail copyright@iso.org
Web www.iso.org

Published in Switzerland

Contents

Page

| | |
|--|-----------|
| Foreword | iv |
| Introduction | v |
| 1 Scope | 1 |
| 2 Normative references | 1 |
| 3 Principle | 1 |
| 4 Apparatus | 1 |
| 5 Test specimens | 3 |
| 6 Procedure | 3 |
| 7 Calculation and expression of results | 5 |
| 8 Accuracy of measurement | 5 |
| 9 Test report | 6 |

iTeh STANDARD PREVIEW
(standards.iteh.ai)

ISO 29767:2008

<https://standards.iteh.ai/catalog/standards/sist/125b6e3f-5339-472d-81f3-d66231ff933c/iso-29767-2008>

Foreword

ISO (the International Organization for Standardization) is a worldwide federation of national standards bodies (ISO member bodies). The work of preparing International Standards is normally carried out through ISO technical committees. Each member body interested in a subject for which a technical committee has been established has the right to be represented on that committee. International organizations, governmental and non-governmental, in liaison with ISO, also take part in the work. ISO collaborates closely with the International Electrotechnical Commission (IEC) on all matters of electrotechnical standardization.

International Standards are drafted in accordance with the rules given in the ISO/IEC Directives, Part 2.

The main task of technical committees is to prepare International Standards. Draft International Standards adopted by the technical committees are circulated to the member bodies for voting. Publication as an International Standard requires approval by at least 75 % of the member bodies casting a vote.

Attention is drawn to the possibility that some of the elements of this document may be the subject of patent rights. ISO shall not be held responsible for identifying any or all such patent rights.

ISO 29767 was prepared by Technical Committee ISO/TC 163, *Thermal performance and energy use in the built environment*, Subcommittee SC 1, *Test and measurement methods*.

iTeh STANDARD PREVIEW
(standards.iteh.ai)

[ISO 29767:2008](https://standards.iteh.ai/catalog/standards/sist/125b6e3f-5339-472d-81f3-d66231ff933c/iso-29767-2008)

<https://standards.iteh.ai/catalog/standards/sist/125b6e3f-5339-472d-81f3-d66231ff933c/iso-29767-2008>

Introduction

This International Standard comprises the original EN 1609:1996, EN 1609:1996/AC:1997 and its Amendment 1:2006 prepared by Technical Committee CEN/TC 88, *Thermal insulating materials and products*, which have been amended by ISO/TC 163/SC 1 with reference to conditioning and testing conditions in tropical countries.

This International Standard is one of a series of documents specifying test methods, based on existing European Standards, that are being adopted by ISO. This “package” of standards includes the following group of interrelated documents.

| International Standard | Respective EN standard |
|---|------------------------|
| ISO 29465, <i>Thermal insulating products for building applications — Determination of length and width</i> | EN 822 |
| ISO 29466, <i>Thermal insulating products for building applications — Determination of thickness</i> | EN 823 |
| ISO 29467, <i>Thermal insulating products for building applications — Determination of squareness</i> | EN 824 |
| ISO 29468, <i>Thermal insulating products for building applications — Determination of flatness</i> | EN 825 |
| ISO 29469, <i>Thermal insulating products for building applications — Determination of compression behaviour</i> | EN 826 |
| ISO 29470, <i>Thermal insulating products for building applications — Determination of the apparent density</i> | EN 1602 |
| ISO 29471, <i>Thermal insulating products for building applications — Determination of dimensional stability under constant normal laboratory conditions (23 °C/50 % relative humidity)</i> | EN 1603 |
| ISO 29472, <i>Thermal insulating products for building applications — Determination of dimensional stability under specified temperature and humidity conditions</i> | EN 1604 |
| ISO 29764, <i>Thermal insulating products for building applications — Determination of deformation under specified compressive load and temperature conditions</i> | EN 1605 |
| ISO 29765, <i>Thermal insulating products for building applications — Determination of tensile strength perpendicular to faces</i> | EN 1607 |
| ISO 29766, <i>Thermal insulating products for building applications — Determination of tensile strength parallel to faces</i> | EN 1608 |
| ISO 29767, <i>Thermal insulating products for building applications — Determination of short-term water absorption by partial immersion</i> | EN 1609 |

ISO 29767:2008(E)

| | |
|--|----------|
| ISO 29768, <i>Thermal insulating products for building applications — Determination of linear dimensions of test specimens</i> | EN 12085 |
| ISO 29769, <i>Thermal insulating products for building applications — Determination of behaviour under point load</i> | EN 12430 |
| ISO 29770, <i>Thermal insulating products for building applications — Determination of thickness for floating-floor insulating products</i> | EN 12431 |
| ISO 29771, <i>Thermal insulating materials for building applications — Determination of organic content</i> | EN 13820 |
| ISO 29803, <i>Thermal insulation products for building applications — Determination of the resistance to impact of external thermal insulation composite systems (ETICS)</i> | EN 13497 |
| ISO 29804, <i>Thermal insulation products for building applications — Determination of the tensile bond strength of the adhesive and of the base coat to the thermal insulation material</i> | EN 13494 |
| ISO 29805, <i>Thermal insulation products for building applications — Determination of the mechanical properties of glass fibre meshes</i> | EN 13496 |

iTeh STANDARD PREVIEW (standards.iteh.ai)

[ISO 29767:2008](https://standards.iteh.ai/catalog/standards/sist/125b6e3f-5339-472d-81f3-d66231ff933c/iso-29767-2008)

<https://standards.iteh.ai/catalog/standards/sist/125b6e3f-5339-472d-81f3-d66231ff933c/iso-29767-2008>

Thermal insulating products for building applications — Determination of short-term water absorption by partial immersion

1 Scope

This International Standard specifies the equipment and procedures for determining the short-term water absorption of specimens by partial immersion. This International Standard is applicable to thermal insulating products.

NOTE The procedure specified by this International Standard is intended to simulate the water absorption caused by a 24 h raining period during construction work.

2 Normative references

The following referenced documents are indispensable for the application of this document. For dated references, only the edition cited applies. For undated references, the latest edition of the referenced document (including any amendments) applies.

ISO 29768, *Thermal insulating products for building applications — Determination of linear dimensions of test specimens*
<https://standards.iteh.ai/catalog/standards/sist/125b6e3f-5339-472d-81f3-d66231ff933c/iso-29767-2008>

ISO 5725-2, *Accuracy (trueness and precision) of measurement methods and results — Part 2: Basic method for the determination of repeatability and reproducibility of a standard measurement method*

3 Principle

A specimen is placed with its lower part in water for a period of 24 h and the change in its mass is measured.

The excess water adhering to the surface but not absorbed by the specimen is removed by drainage (method A) or taken into account by deduction of the initial water uptake (method B).

4 Apparatus

4.1 Balance, capable of determining the mass of a specimen to an accuracy of 0,1 g.

4.2 Water tank, with a device for keeping the water level constant to within ± 2 mm, and a device to keep the specimen in position.

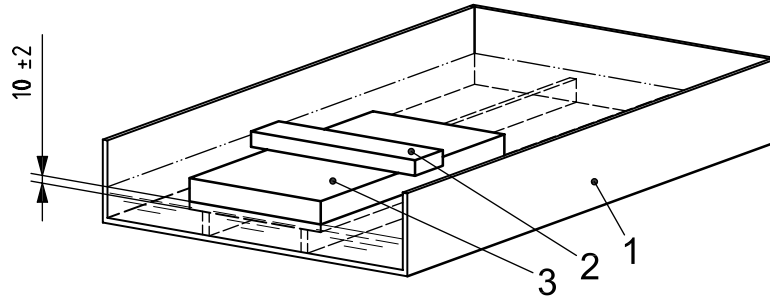
The device to keep the specimen in position shall not cover more than 15 % of the cross-sectional area of the specimen that is exposed to water. An example is shown in Figure 1.

4.3 Tap water, adjusted to a temperature of (23 ± 5) °C.

4.4 Equipment for drainage.

See examples shown in Figure 2.

Dimensions in millimetres



Key

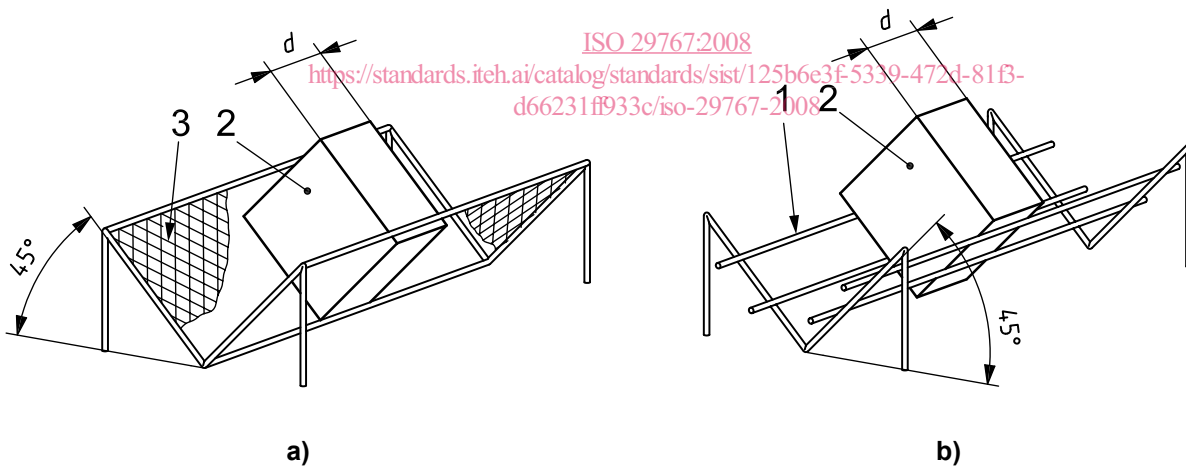
- 1 water tank
- 2 load to keep the specimen in position
- 3 test specimen

Figure 1 — Example of a partial-immersion test device

iTeh STANDARD PREVIEW
(standards.iteh.ai)

ISO 29767:2008

<https://standards.iteh.ai/catalog/standards/sist/125b6e3f-5339-472d-81f3-d66231ff933c/iso-29767-2008>



Key

- 1 stainless steel mesh
- 2 test specimen
- 3 perforated stainless steel

Figure 2 — Examples of equipment suitable for drainage

5 Test specimens

5.1 Dimensions of test specimens

The thickness of specimens shall be equal to the original product thickness.

The specimens shall be prisms of square cross section having a side length of (200 ± 1) mm.

5.2 Number of test specimens

The number of specimens shall be as specified in the relevant product standard. If the number is not specified, then at least four specimens shall be used. In the absence of a product standard or any other international or European technical specification, the number of specimens may be agreed between parties.

5.3 Preparation of test specimens

The specimens shall be cut so that they do not include product edges.

The specimens shall be prepared by methods that do not change the original structure of the product. Any skins, facings and/or coatings shall be retained.

NOTE Special methods of preparation, when needed, are given in the relevant product standard or any other international or European technical specification.

5.4 Conditioning of test specimens

The specimens shall be conditioned for at least 6 h at (23 ± 5) °C. In case of dispute, they shall be conditioned at (23 ± 2) °C and (50 ± 5) % relative humidity for the time stated in the relevant product standard.

In tropical countries, different conditioning and testing conditions can be relevant. In this case, the conditions shall be 27 °C and 65 % RH and be stated clearly in the test report.

6 Procedure

6.1 Test conditions

Testing shall be carried out at (23 ± 5) °C. In case of dispute, it shall be carried out at (23 ± 2) °C and (50 ± 5) % relative humidity.

In tropical countries, different conditioning and testing conditions can be relevant. In this case, the conditions shall be 27 °C and 65 % RH and be stated clearly in the test report.

6.2 Test procedure

The choice of the method (A or B) shall be as specified in the relevant product standard. In the absence of a product standard or any other international or European technical specification, the method may be agreed between parties.

The dimensions of the specimens shall be measured in accordance with ISO 29768.