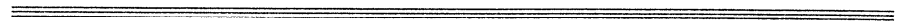


INTERNATIONAL STANDARD

ISO
519

Second edition
1992-12-01



Photography — Hand-held cameras — Flash-connector dimensions

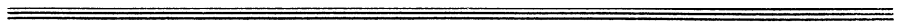
iTeh STANDARD PREVIEW
*Photographie — Appareils de prise de vues portatifs — Dimensions des
raccords de lampe à éclairs*
(standards.iteh.ai)

ISO 519:1992

<https://standards.iteh.ai/catalog/standards/sist/5613d675-ecb8-4786-ab0b-c6242aca9886/iso-519-1992>

INTERNATIONAL

ISO



Reference number
ISO 519:1992(E)

Foreword

ISO (the International Organization for Standardization) is a worldwide federation of national standards bodies (ISO member bodies). The work of preparing International Standards is normally carried out through ISO technical committees. Each member body interested in a subject for which a technical committee has been established has the right to be represented on that committee. International organizations, governmental and non-governmental, in liaison with ISO, also take part in the work. ISO collaborates closely with the International Electrotechnical Commission (IEC) on all matters of electrotechnical standardization.

Draft International Standards adopted by the technical committees are circulated to the member bodies for voting. Publication as an International Standard requires approval by at least 75 % of the member bodies casting a vote.

International Standard ISO 519 was prepared by Technical Committee ISO/TC 42, *Photography*.

This second edition cancels and replaces the first edition (ISO 519:1974), the principal change being that the length of the flash-connector plug pin, the depth of the corresponding socket cavity and the upper limit of the axial separation force have been increased.

Photography — Hand-held cameras — Flash-connector dimensions

1 Scope

This International Standard specifies flash-connector dimensions for hand-held cameras.

2 Dimensions

The flash-connector dimensions shall be as shown in figure 1 and given in table 1.

To accommodate some freedom in design and use of materials, the dimensions of the cone-shaped tip of the plug pin and the protruding length of socket insulation and outside contact are not specified in this International Standard. Both influence the overall length of electrical coupling, however, and they should not be excessively long.

The \oplus and \ominus symbols designate electrical polarity.

ISO 519:1992

<https://standards.iteh.ai/catalog/standards/sist/5613d675-ecb8-4786-ab0b-c6242aca9886/iso-519-1992>

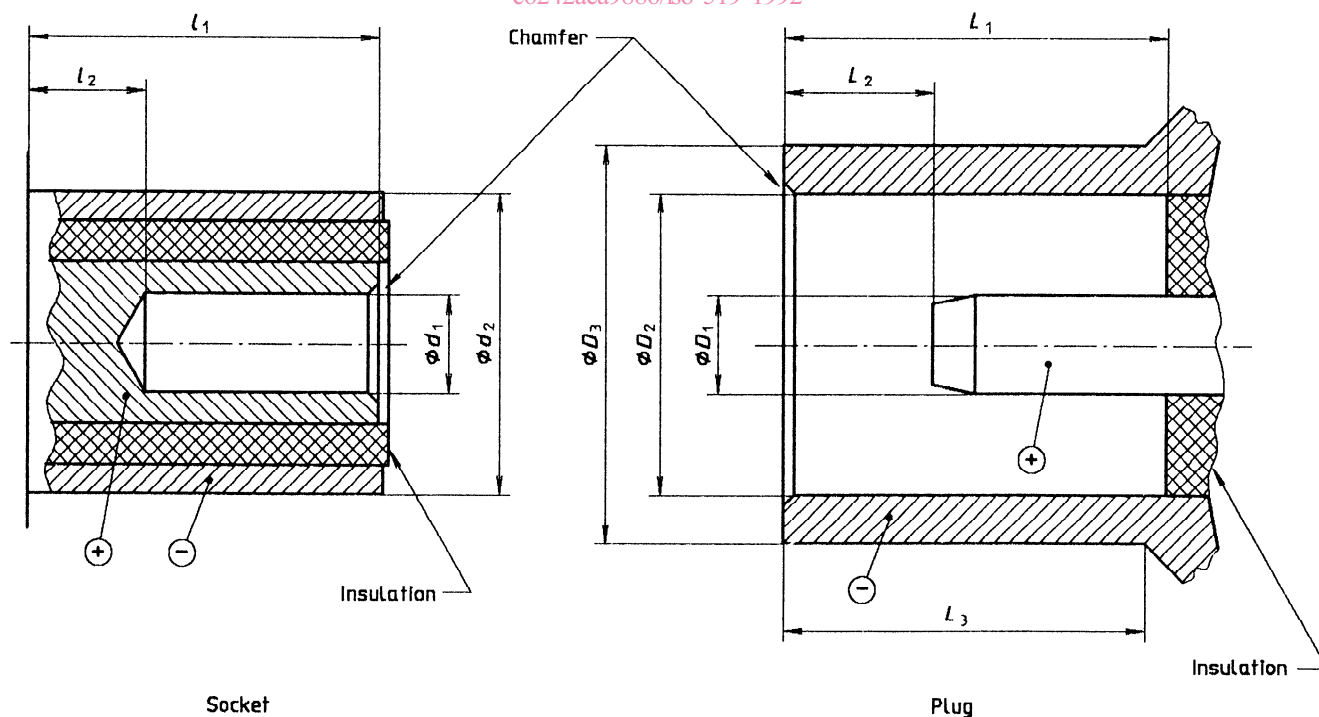


Figure 1 — Flash-connector socket and plug

Table 1 — Dimensions

Socket		Plug	
Dimension	mm	Dimension	mm
d_1	1,003 $\begin{smallmatrix} +0,025 \\ 0 \end{smallmatrix}$	D_1 *)	1,0 $\begin{smallmatrix} 0 \\ -0,025 \end{smallmatrix}$
d_2	3,0 $\begin{smallmatrix} 0 \\ -0,025 \end{smallmatrix}$	D_2 **)	3,0
l_1	3,5 \pm 0,2	L_1	4,0 min.
l_2	0,6 max.	L_2	0,9 \pm 0,3
		D_3	4,0 max.
		L_3	4,0 min.

*) To ensure good electrical contact, the inner pin shall be eccentric with the outer bush.

**) The plug outside contact shall be designed to provide spring action such that an axial separation force of 5 N to 15 N is provided. The design may include one or more slots or other means.

iTeh STANDARD PREVIEW (standards.iteh.ai)

ISO 519:1992

<https://standards.iteh.ai/catalog/standards/sist/5613d675-ecb8-4786-ab0b-c6242aca9886/iso-519-1992>

iTeh STANDARD PREVIEW
(standards.iteh.ai)

This page intentionally left blank

ISO 519:1992

<https://standards.iteh.ai/catalog/standards/sist/5613d675-ecb8-4786-ab0b-c6242aca9886/iso-519-1992>

iTeh STANDARD PREVIEW
(standards.iteh.ai)

This page intentionally left blank

[ISO 519:1992](#)

<https://standards.iteh.ai/catalog/standards/sist/5613d675-ecb8-4786-ab0b-c6242aca9886/iso-519-1992>

iTeh STANDARD PREVIEW
(standards.iteh.ai)

This page intentionally left blank

ISO 519:1992

<https://standards.iteh.ai/catalog/standards/sist/5613d675-ecb8-4786-ab0b-c6242aca9886/iso-519-1992>

iTeh STANDARD PREVIEW
(standards.iteh.ai)

ISO 519:1992

<https://standards.iteh.ai/catalog/standards/sist/5613d675-ecb8-4786-ab0b-c6242aca9886/iso-519-1992>

UDC 771.313:771.448:621.316.541.1

Descriptors: photography, cameras, flash equipment, connecting joints, plug connectors, socket connectors, dimensions.

Price based on 2 pages
