

ISO

INTERNATIONAL ORGANIZATION FOR STANDARDIZATION

ISO RECOMMENDATION R 142

TEXTILE MACHINERY AND ACCESSORIES
WEAVING PREPARATORY MACHINES
DEFINITION OF SIDE (LEFT OR RIGHT)

1st EDITION
January 1960

COPYRIGHT RESERVED

The copyright of ISO Recommendations and ISO Standards belongs to ISO Member Bodies. Reproduction of these documents, in any country, may be authorized therefore only by the national standards organization of that country, being a member of ISO.

For each individual country the only valid standard is the national standard of that country.

Printed in Switzerland

Also issued in French and Russian. Copies to be obtained through the national standards organizations.

BRIEF HISTORY

The ISO Recommendation R 142, *Weaving Preparatory Machines - Definition of side (left or right)*, was drawn up by Technical Committee ISO/TC 72, *Textile Machinery and Accessories*, the Secretariat of which is held by the Association Suisse de Normalisation (SNV).

From its first meeting, held in Zurich, in July 1950, the Technical Committee had decided to include in its programme of work the item of definition of side of machines.

At its second meeting, held in Scheveningen, in September 1951, the Technical Committee assigned the study of this question to a Working Group, composed of Belgium, France, Netherlands, United Kingdom, Switzerland and, as from 1952, Germany. This Working Group met several times to prepare a draft proposal.

At the third plenary meeting of the Technical Committee, held in Brussels, in July 1955, this draft proposal was unanimously adopted by the delegates present as a Draft ISO Recommendation.

On 24 May 1957, the Draft ISO Recommendation (No. 164) was distributed to all the ISO Member Bodies and was approved, subject to small editorial amendments, by the following 25 (out of a total of 38) Member Bodies:

Austria	* Ireland	Romania
Belgium	Italy	Spain
* Canada	Japan	* Sweden
Chile	Netherlands	Switzerland
* Denmark	* New Zealand	United Kingdom
France	* Norway	U.S.A.
Germany	Pakistan	U.S.S.R.
* Greece	Poland	
India	* Portugal	

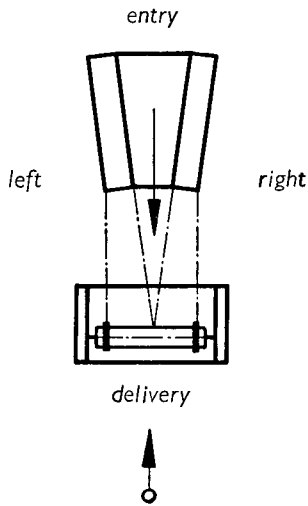
No Member Body opposed the approval of the Draft.

The Draft ISO Recommendation was then submitted by correspondence to the ISO Council, which decided, in January 1960, to accept it as an ISO RECOMMENDATION.

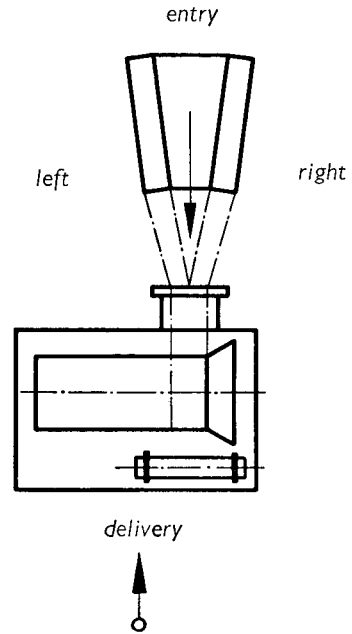
* These Member Bodies stated that they had no objection to the Draft being approved.

TEXTILE MACHINERY AND ACCESSORIES
WEAVING PREPARATORY MACHINES
DEFINITION OF SIDE (LEFT OR RIGHT)

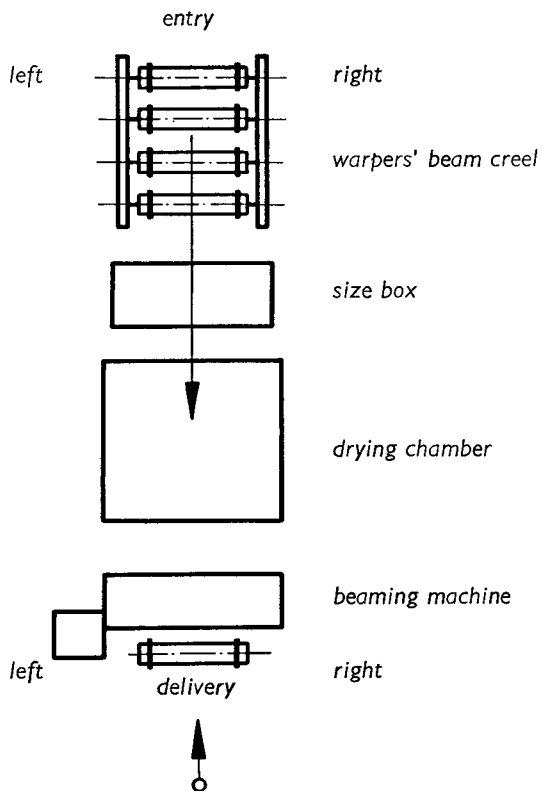
Warping Machines



Sectional Warping and Beaming Machines



Warp Sizing Machine



To determine the side of weaving preparatory machines, the observer looks against the flow of material.

