



SLOVENSKI STANDARD
SIST EN 1176-6:2000
01-september-2000

CdfYa Uclfcý_]][f]ý '!'* "XY. '8 cXUtbY'dcgYVbY'j UfbcglbY'nU H'j Y']b'dfYg_i gbY
a YtcXY'nU[i [UU

Playground equipment - Part 6: Additional specific safety requirements and test methods for rocking equipment

Spielplatzgeräte - Teil 6: Zusätzliche besondere sicherheitstechnische Anforderungen und Prüfverfahren für Wippgeräte

Equipements d'aires de jeux - Partie 6: Exigences de sécurité et méthodes d'essai complémentaires spécifiques aux équipements oscillants

[https://standards.iteh.ai/catalog/standards/sist/887b8931-d6e4-49c4-bb9d-](https://standards.iteh.ai/catalog/standards/sist/887b8931-d6e4-49c4-bb9d-db02e79b2e90/sist-en-1176-6-2000)

Ta slovenski standard je istoveten z: **EN 1176-6:1998**

ICS:

97.200.40 Q!ž æ Playgrounds

SIST EN 1176-6:2000 en

iTeh STANDARD PREVIEW
(standards.iteh.ai)

SIST EN 1176-6:2000

<https://standards.iteh.ai/catalog/standards/sist/887b8931-d6e4-49c4-bb9d-db02e79b2e90/sist-en-1176-6-2000>

EUROPEAN STANDARD

EN 1176-6

NORME EUROPÉENNE

EUROPÄISCHE NORM

August 1998

ICS 97.200.40

Descriptors: playground, recreation facilities, toys, communal equipment, rocking elements, safety requirements, accident prevention, definitions, specifications, tests, marking

English version

Playground equipment - Part 6: Additional specific safety requirements and test methods for rocking equipment

Equipements d'aires de jeux - Partie 6: Exigences de sécurité et méthodes d'essai complémentaires spécifiques aux équipements oscillants

Spielplatzgeräte - Teil 6: Zusätzliche besondere sicherheitstechnische Anforderungen und Prüfverfahren für Wippperäte

This European Standard was approved by CEN on 22 July 1998.

CEN members are bound to comply with the CEN/CENELEC Internal Regulations which stipulate the conditions for giving this European Standard the status of a national standard without any alteration. Up-to-date lists and bibliographical references concerning such national standards may be obtained on application to the Central Secretariat or to any CEN member.

This European Standard exists in three official versions (English, French, German). A version in any other language made by translation under the responsibility of a CEN member into its own language and notified to the Central Secretariat has the same status as the official versions.

CEN members are the national standards bodies of Austria, Belgium, Czech Republic, Denmark, Finland, France, Germany, Greece, Iceland, Ireland, Italy, Luxembourg, Netherlands, Norway, Portugal, Spain, Sweden, Switzerland and United Kingdom.

iTeh STANDARD PREVIEW
(standards.iteh.ai)

<https://standards.iteh.ai/catalog/standards/sist/887b8931-d6e4-49c4-bb9d-db02e79b2e90/sist-en-1176-6-2000>



EUROPEAN COMMITTEE FOR STANDARDIZATION
COMITÉ EUROPÉEN DE NORMALISATION
EUROPÄISCHES KOMITEE FÜR NORMUNG

Central Secretariat: rue de Stassart, 36 B-1050 Brussels

Contents	Page
Foreword	3
1 Scope	4
2 Normative references	4
3 Definitions	4
4 Safety requirements	8
4.1 General	8
4.2 Free height of fall	8
4.3 Seat/stand height	8
4.4 Seat/stand slope	8
4.5 Pinch, crush	9
4.6 Restraint of motion	9
4.7 Foot rests	9
4.8 Hand supports	9
4.9 Shape profiles	9
4.10 Entrapment	10
4.11 Falling space	10
5 Additional specific type requirements	11
5.1 Axial seesaw (Type 1)	11
5.2 Multi-point seesaw/rocking equipment (Type 3A)	12
5.3 Rocking seesaw (Type 4)	12
6 Test reports	12
7 Marking	13
Annex A (informative) Guidance for assessing the safety of seesaw/rocking equipment other than Types 1 to 4	14
Annex B (normative) Method for determination of seat/stand slope and ground clearance	14
Examine and record whether the extreme parts of the equipment touch the ground.	14
Annex C (normative) Method for determination of freedom from pinch and crush points	15
Annex D (normative) Method for determination of sideways stability	16



Foreword

This European Standard has been prepared by Technical Committee CEN/TC 136 "Sports, playground and other recreational equipment", the secretariat of which is held by DIN.

This European Standard shall be given the status of a national standard, either by publication of an identical text or by endorsement, at the latest by February 1999, and conflicting national standards shall be withdrawn at the latest by February 1999.

This standard consists of a number of parts as follows:

EN 1176-1	Playground equipment - Part 1: General safety requirements and test methods
EN 1176-2	Playground equipment - Part 2: Additional specific safety requirements and test methods for swings
EN 1176-3	Playground equipment - Part 3: Additional specific safety requirements and test methods for slides
EN 1176-4	Playground equipment - Part 4: Additional specific safety requirements and test methods for runways
prEN 1176-5	Playground equipment - Part 5: Additional specific safety requirements and test methods for carousels
EN 1176-6	Playground equipment - Part 6: Additional specific safety requirements and test methods for rocking equipment
EN 1176-7	Playground equipment - Part 7: Guidance on installation, inspection, maintenance and operation

This standard should not be used alone but in conjunction with EN 1176-1 and EN 1176-7 and EN 1177 - Impact absorbing playground surfacing - Safety requirements and test methods.

It amends and supplements EN 1176-1 and EN 1177.
<https://www.cen.eu/en/standards/normes/887b8931-d6e4-49c4-bb9d-db02e79b2e90/sist-en-1176-6-2000>

According to the CEN/CENELEC Internal Regulations, the national standards organizations of the following countries are bound to implement this European Standard: Austria, Belgium, Czech Republic, Denmark, Finland, France, Germany, Greece, Iceland, Ireland, Italy, Luxembourg, Netherlands, Norway, Portugal, Spain, Sweden, Switzerland and the United Kingdom.

1 Scope

This standard specifies additional safety requirements for see-saws and rocking equipment intended for permanent installation for use by children.

The aim is to provide protection to the user against possible hazards during use.

NOTE: Guidance for assessing the safety of other forms of seesaw/rocking equipment is given in annex A.

2 Normative references

This European Standard incorporates by dated or undated references, provisions from other publications. These normative references are cited at the appropriate places in the text and the publications are listed hereafter. For dated references, subsequent amendments to or revisions of any of these publications apply to this European Standard only when incorporated in it by amendment or revision. For undated references the latest edition of the publication referred to applies:

EN 1176-1 : 1998 Playground equipment - Part 1: General safety requirements and test methods

3 Definitions

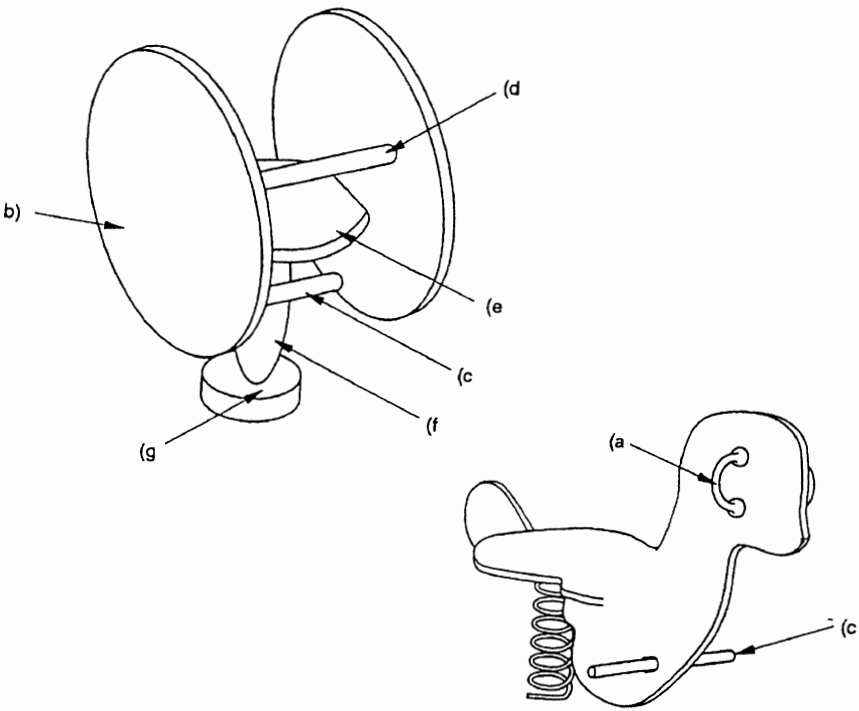
For the purposes of this standard, the definitions given in EN 1176 -1 apply, together with the following:

3.1 rocking equipment; seesaw(hereinafter referred to as equipment): Equipment that can be set in motion by the user and characterized by being supported by a component from below.

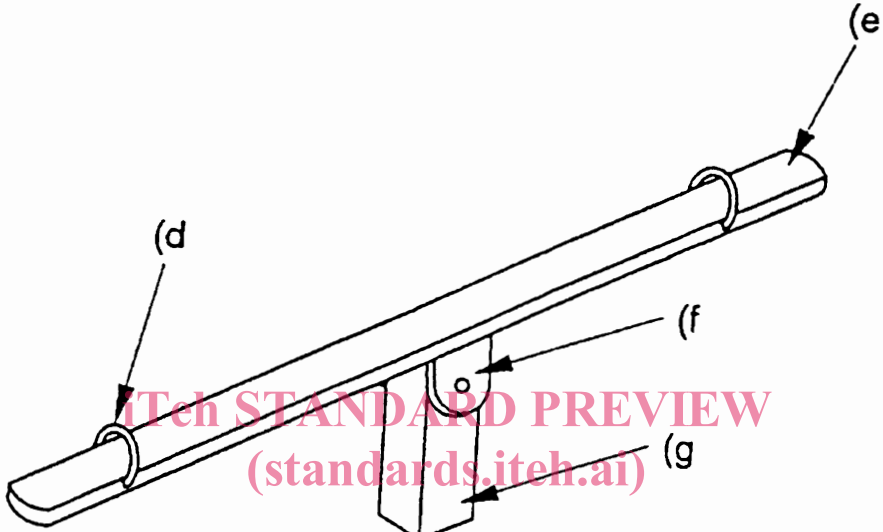
NOTE 1: The equipment can have one or several seats or stands.

NOTE 2: Figure 1a) shows the principle components for rocking equipment. Figure 1b) shows the principle components for seesaws.

NOTE 3: The seesaw/rocking movement depends on the type and configuration of fixture (see figures 2, 3, 4, 5).



a) Rocking equipment



- SIST EN 1176-6:2000
<http://standards.iteh.ai/catalog/standards/sist/887b8931-d6e4-49c4-bb9d-db02c79b2e90/sist-en-1176-6-2000>
- a - grip handle
 - b - body
 - c - foot support
 - d - handsupport
 - e - seat/stand
 - f - suspending component
 - g - anchorage

b) Seesaw

Figure 1: Principle components for rocking equipment/seesaw

3.2 equipment body: Main moving part connected to the equipment supporting component(s).

3.3 supporting component: Component which connects the equipment body to the anchorage.

3.4 anchorage: Means by which stability and fixation to the ground/surface is made.

3.5 damping: Combined effect of the supporting component(s) that moderates the speed at which the equipment can move and the reduction of shock effects at the outer positions of the equipment.

NOTE: The damping effect can be:

- a) constant, where the effect is constant throughout the entire range of movement; and
- b) varied, where the effect depends on the load on and speed of the equipment.

3.6 range of movement: Maximum horizontal and/or vertical deviation of the seat/stand during use (see figure 1) from the centre point at equilibrium position.

3.7 axial seesaw (Type 1): Equipment in which only vertical movement can take place (see figure 2).

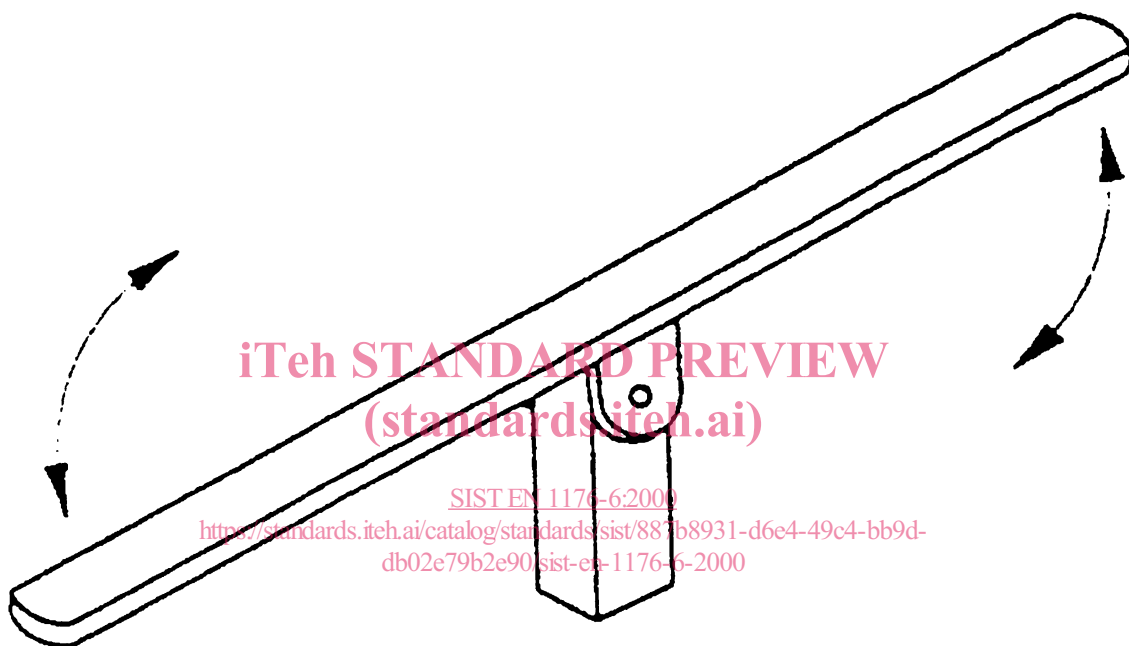
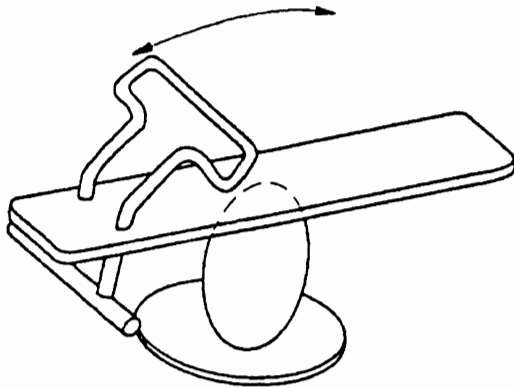


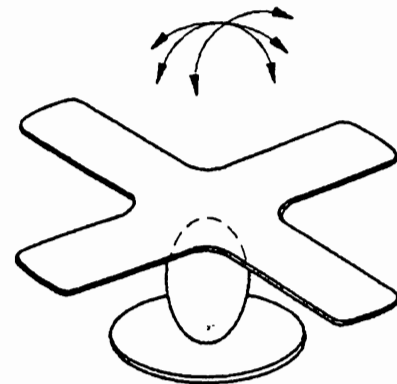
Figure 2: Example of an axial seesaw (Type 1)

3.8 single-point seesaw/rocking equipment (Types 2A and 2B): Equipment with a single-point supporting component (see figure 3).

NOTE: Typical single point supporting components include: coils, springs, torsion and compression blocks.



a) Type 2A with predetermined main direction of movement

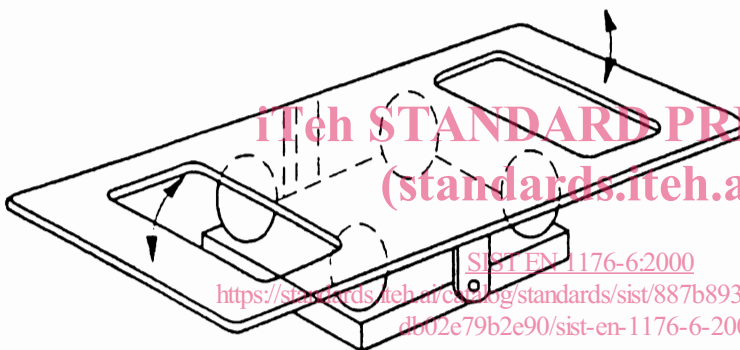


b) Type 2B with multi-directional movement

Figure 3: Examples of single-point seesaw/rocking equipment. (Types 2A and 2B)

3.9 multi-point seesaw/rocking equipment (Types 3A and 3B): Equipment with several supporting components (see figure 4).

NOTE: The movement depends upon the placement and type of supporting components.



a) Type 3A with predetermined main direction of movement



b) Type 3B with multi-directional movement

Figure 4: Examples of multi-point seesaw. (Types 3A and 3B)