



Designation: D6463/D6463M – 06

## Standard Test Method for Time to Failure of Pressure Sensitive Articles Under Sustained Shear Loading<sup>1</sup>

This standard is issued under the fixed designation D6463/D6463M; the number immediately following the designation indicates the year of original adoption or, in the case of revision, the year of last revision. A number in parentheses indicates the year of last reapproval. A superscript epsilon ( $\epsilon$ ) indicates an editorial change since the last revision or reapproval.

### 1. Scope

1.1 This test method covers the ability of a pressure sensitive article (for example, tape, label, sticker, etc.) to remain adhered to a stainless steel panel under a constant load applied parallel to the bonding surface of the pressure sensitive article.

1.2 Values stated in either SI or inch-pound units are to be regarded separately as standard. The values stated in each system may not be exact equivalents, therefore, each system must be used independently without combining values in any way.

1.3 *This standard does not purport to address all of the safety concerns, if any, associated with its use. It is the responsibility of the user of this standard to establish appropriate safety and health practices and determine the applicability of regulatory limitations prior to use.*

### 2. Referenced Documents

2.1 *ASTM Standards:*<sup>2</sup>

**A666** Specification for Annealed or Cold-Worked Austenitic Stainless Steel Sheet, Strip, Plate, and Flat Bar

**D907** Terminology of Adhesives

**D3654/D3654M** Test Methods for Shear Adhesion of Pressure-Sensitive Tapes

**D5750/D5750M** Guide for Width and Length of Pressure-Sensitive Tape

**E171** Specification for Atmospheres for Conditioning and Testing Flexible Barrier Materials

**E177** Practice for Use of the Terms Precision and Bias in

[ASTM Test Methods](#)

[E691 Practice for Conducting an Interlaboratory Study to Determine the Precision of a Test Method](#)

### 3. Terminology

3.1 Many of the terms found in this test method are defined in Terminology **D907**.

### 4. Summary of Test Method

4.1 This test method consists of bonding a standard area of a pressure sensitive article to a stainless steel panel. The bonded construction is allowed to dwell in a constant temperature and humidity environment for 30 min. The construction is then mounted vertically. A standard mass of 500 g [1.1 lb] is attached to the pressure sensitive article and allowed to act until the construction separates or until 3000 min elapse. If there is no separation after 3000 min, the test is repeated on a fresh specimen with a mass of 1000 g [2.2 lb] and allowed to act until separation occurs or until 3000 min elapse. If no separation occurs, perform Procedure C of Test Method **D3654/D3654M** for shear holding power to stainless steel at 49°C [120°F]. The test result is the time in minutes to separation.

### 5. Significance and Use

5.1 This test method measures the cohesive strength of the adhesive on a pressure sensitive article. The time to failure can predict end use properties of pressure sensitive articles such as edge ooze from cold flow; trimming, slitting and die cutting quality; telescoping in tapes; ability to seal packages; and vertical holding power.

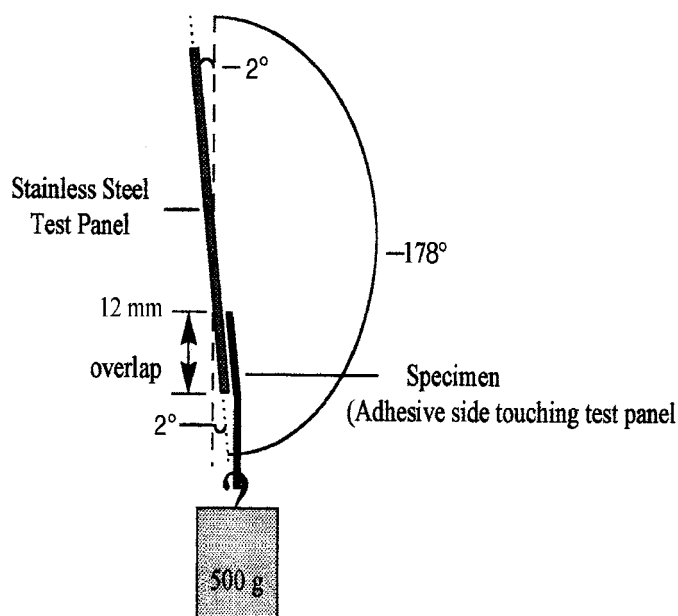
5.2 This test method is suitable for quality control, development and applications testing.

5.3 If the adhesive is not already coated, the adhesive can be coated on smooth, clear polyester (PET) film backing 0.05 mm [0.002 in.] thick. The recommended dry adhesive thickness is 0.025 mm [0.001 in.].

<sup>1</sup> This test method is under the jurisdiction of ASTM Committee **D14** on Adhesives and is the direct responsibility of Subcommittee **D14.50** on Hot Melts, Pressure Sensitives, and Archival Adhesives.

Current edition approved March 1, 2006. Published April 2006. Originally approved in 1999. Last previous edition approved in 1999 as D6463 – 99. DOI: 10.1520/D6463\_D6463M-06.

<sup>2</sup> For referenced ASTM standards, visit the ASTM website, www.astm.org, or contact ASTM Customer Service at service@astm.org. For *Annual Book of ASTM Standards* volume information, refer to the standard's Document Summary page on the ASTM website.



**FIG. 1 Test Panel with Specimen and Mass (Side View)**

5.4 Humidity has a strong effect on time to failure for many pressure sensitive articles. Therefore, humidity should be controlled in accordance with 8.1.2.

## 6. Apparatus

6.1 *Specimen Cutter*<sup>3,4</sup>—The specimen cutter shall hold two single-edge razor blades in parallel planes, a precise distance apart, to form a cutter of exact specimen width. A cutter of 12 mm [0.5 in.] cutting width, shall be available or appropriate alternates, that will not cause edge damage.

6.1.1 The 12 mm [0.5 in.] cutter shall consist of a 12 mm [0.5 in.] thick by 200 mm [8 in.] length of aluminum bar stock 12 mm [0.5 in.] wide. The edges for about 125 mm [5 in.] from one end shall be rounded slightly to form a handle. The width of the bar for 75 mm [3 in.] shall be narrowed to exactly 12 mm [0.5 in.] minus the thickness of a single-edge razor (one of two used as cutting edges). The razor shall be held in position using side plates. The end of the cutter shall be cut away at a 45° angle to expose the cutting edges at one end of the blades. The edges shall be separated by 12 ± 0.10 mm [0.5 ± 0.005 in.].

6.2 *Dispensing System*, for solvents, such as a wash bottle.

6.3 *Test Panel*<sup>4</sup>—No. 302 or 304 stainless steel sheet, not less than 1.1 mm [0.43 in.] thick, having a bright annealed finish, in accordance with Specification A666. The panel should be 25 by 25 mm [1.0 by 1.0 in.] or larger, as best suited to the test stand (Fig. 1). The surface roughness height shall be 50 ± 25 nm [2.0 ± 1.0 μin.] arithmetical average deviation

from a mean line. One or both of the panel ends shall be ground to form a 90° angle with the panel surface. Panels showing stains, discolorations, or numerous scratches are not acceptable. New panels should be cleaned before use as described in 10.1, except with ten washes of the final solvent. Between uses, the panels test surface shall be protected from scratches and contamination, and the panels stored at conditions described in Section 8.

6.4 *Roller*, mechanically or hand-operated.<sup>4</sup>

6.4.1 A steel roller 85 ± 2.5 mm [3.25 ± 0.1 in.] in diameter and 45 ± 1.5 mm [1.75 by 0.05 in.] in width, covered with rubber approximately 6 mm [0.25 in.] in thickness, having a Shore scale A durometer hardness of 80 ± 5. The surface shall be a true cylinder void of any convex or concave deviations. The mass of the roller shall be 2040 ± 45 g [4.5 ± 0.1 lb].

6.4.2 No part of the apparatus shall increase the mass of the roller during use. The roller shall move either mechanically or by hand at the rate of 10 ± 0.2 mm/s [24 ± 0.5 in./min.].

6.5 *Test Stands and Ancillary Apparatus*:

6.5.1 *Test Stand*<sup>4</sup>—A test stand that will hold the test panel with the specimen applied at an angle of 2.0 ± 0.5° from vertical, so that when the mass is acting on the test specimen, no peel forces will be exerted on the specimen.

6.5.2 *Clamp/Clip/Cardboard Chip*—that will allow attachment of the mass to the specimen, distributing the load equally across the specimen width.

6.5.3 *Mass*—a 500 ± 5 g [1.1 ± 0.01 lb] and a 1 000 ± 5 g [2.2 ± 0.01 lb] with a hook on top.

6.5.4 *Timing System*—to measure the interval in minutes, between the application of the load to the specimen and its separation from the panel.

## 7. Reagents and Materials

7.1 *Purity of Reagents*—Reagent grade chemicals should be used in all tests. Other grades may be used, provided it is first

<sup>3</sup> These widths correspond to the primary metric (SI) units described in Guide D5750/D5750M. These so-called “modular metric” units generally are used throughout the world. If it is desirable to test slightly different widths, this should be noted per 12.1.8 and calculations per 11.1 must account for the difference.

<sup>4</sup> The sole source of supply of the apparatus known to the committee at this time is Chemsultants International, 9349 Hamilton Drive, Mentor, OH 44061-1118. If you are aware of alternative suppliers, please provide this information to ASTM International Headquarters. Your comments will receive careful consideration at a meeting of the responsible technical committee,<sup>1</sup> may attend.