

---

---

**Timber structures — Dowel-type  
fasteners —  
Part 2:  
Determination of embedding strength**

*Structures en bois — Éléments de fixation de type cheville —*

*Partie 2: Détermination des valeurs de résistance des scellements*

**iTeh STANDARD PREVIEW  
(standards.iteh.ai)**

ISO 10984-2:2009

<https://standards.iteh.ai/catalog/standards/sist/2b432c0f-dba3-4422-9dec-ce98b43f73ae/iso-10984-2-2009>



**PDF disclaimer**

This PDF file may contain embedded typefaces. In accordance with Adobe's licensing policy, this file may be printed or viewed but shall not be edited unless the typefaces which are embedded are licensed to and installed on the computer performing the editing. In downloading this file, parties accept therein the responsibility of not infringing Adobe's licensing policy. The ISO Central Secretariat accepts no liability in this area.

Adobe is a trademark of Adobe Systems Incorporated.

Details of the software products used to create this PDF file can be found in the General Info relative to the file; the PDF-creation parameters were optimized for printing. Every care has been taken to ensure that the file is suitable for use by ISO member bodies. In the unlikely event that a problem relating to it is found, please inform the Central Secretariat at the address given below.

**iTeh STANDARD PREVIEW**  
**(standards.iteh.ai)**

ISO 10984-2:2009

<https://standards.iteh.ai/catalog/standards/sist/2b432c0f-dba3-4422-9dec-ce98b43f73ac/iso-10984-2-2009>



**COPYRIGHT PROTECTED DOCUMENT**

© ISO 2009

All rights reserved. Unless otherwise specified, no part of this publication may be reproduced or utilized in any form or by any means, electronic or mechanical, including photocopying and microfilm, without permission in writing from either ISO at the address below or ISO's member body in the country of the requester.

ISO copyright office  
Case postale 56 • CH-1211 Geneva 20  
Tel. + 41 22 749 01 11  
Fax + 41 22 749 09 47  
E-mail [copyright@iso.org](mailto:copyright@iso.org)  
Web [www.iso.org](http://www.iso.org)

Published in Switzerland

**Contents**

Page

<b>Foreword</b> .....	<b>iv</b>
<b>Introduction</b> .....	<b>v</b>
<b>1 Scope</b> .....	<b>1</b>
<b>2 Normative references</b> .....	<b>1</b>
<b>3 Terms and definitions</b> .....	<b>1</b>
<b>4 Symbols and abbreviated terms</b> .....	<b>2</b>
<b>5 Requirements</b> .....	<b>2</b>
<b>6 Test method</b> .....	<b>2</b>
<b>7 Test report</b> .....	<b>11</b>
<b>Bibliography</b> .....	<b>12</b>

**iTeh STANDARD PREVIEW**  
**(standards.iteh.ai)**

ISO 10984-2:2009

<https://standards.iteh.ai/catalog/standards/sist/2b432c0f-dba3-4422-9dec-ce98b43f73ae/iso-10984-2-2009>

## Foreword

ISO (the International Organization for Standardization) is a worldwide federation of national standards bodies (ISO member bodies). The work of preparing International Standards is normally carried out through ISO technical committees. Each member body interested in a subject for which a technical committee has been established has the right to be represented on that committee. International organizations, governmental and non-governmental, in liaison with ISO, also take part in the work. ISO collaborates closely with the International Electrotechnical Commission (IEC) on all matters of electrotechnical standardization.

International Standards are drafted in accordance with the rules given in the ISO/IEC Directives, Part 2.

The main task of technical committees is to prepare International Standards. Draft International Standards adopted by the technical committees are circulated to the member bodies for voting. Publication as an International Standard requires approval by at least 75 % of the member bodies casting a vote.

Attention is drawn to the possibility that some of the elements of this document may be the subject of patent rights. ISO shall not be held responsible for identifying any or all such patent rights.

ISO 10984-2 was prepared by Technical Committee ISO/TC 165, *Timber structures*.

ISO 10984 consists of the following parts, under the general title *Timber structures — Dowel-type fasteners*:

- *Part 1: Determination of yield moment* ([standards.iteh.ai](https://standards.iteh.ai))
- *Part 2: Determination of embedding strength*

<https://standards.iteh.ai/catalog/standards/sist/2b432c0f-dba3-4422-9dec-ce98b43f73ae/iso-10984-2-2009>

## Introduction

Dowel-type fasteners are those mechanical fasteners that are most widely used for timber structures. Their characteristics, such as yield moment, have a great effect on the mechanical performance of joints made with dowel-type fasteners under loads.

The purpose of this part of ISO 10984 is to define methods to measure the embedding strength for fasteners as one of the basic parameters to interpret the behaviour of joints under loads. The requirements are necessary to replicate the same conditions as those for timber structures in the field. Loads can be applied to the specimen either by compression or tension, whichever is relevant. This part of ISO 10984 is based on EN 383 and ASTM D5764.

ISO 10984-1 provides the test method to obtain other basic information on the behaviour of mechanical joints under loads.

## iTeh STANDARD PREVIEW (standards.iteh.ai)

[ISO 10984-2:2009](https://standards.iteh.ai/catalog/standards/sist/2b432c0f-dba3-4422-9dec-ce98b43f73ae/iso-10984-2-2009)

<https://standards.iteh.ai/catalog/standards/sist/2b432c0f-dba3-4422-9dec-ce98b43f73ae/iso-10984-2-2009>

**iTeh STANDARD PREVIEW**  
**(standards.iteh.ai)**

ISO 10984-2:2009

<https://standards.iteh.ai/catalog/standards/sist/2b432c0f-dba3-4422-9dec-ce98b43f73ae/iso-10984-2-2009>

# Timber structures — Dowel-type fasteners —

## Part 2: Determination of embedding strength

### 1 Scope

This part of ISO 10984 specifies laboratory methods for determining the embedding strength of solid timber, glued laminated timber and wood-based sheet products with dowel-type fasteners.

Descriptors: timber construction, fasteners, nails (fasteners), bolts, tests, compression tests, determination, compressive strength.

### 2 Normative references

The following referenced documents are indispensable for the application of this document. For dated references, only the edition cited applies. For undated references, the latest edition of the referenced document (including any amendments) applies.

ISO 3130, *Wood — Determination of moisture content for physical and mechanical tests*

ISO 3131, *Wood — Determination of density for physical and mechanical tests*

### 3 Terms and definitions

For the purposes of this document, the following terms and definitions apply.

#### 3.1

##### **dowel-type fastener**

bolt, nail, screw, dowel or the like with plain or patterned surfaces

#### 3.2

##### **embedding strength**

average compressive stress at maximum load in a piece of timber or wood-based sheet product under the action of a stiff linear fastener

NOTE The fastener's axis is perpendicular to the surface of the timber. The fastener is loaded perpendicular to its axis.

#### 3.3

##### **maximum load**

Maximum load measured before the deformation of the specimen has reached the deformation limit equal to  $(w_0 + 5)$  mm

#### 3.4 Fastener section dimension

##### 3.4.1

##### **fastener section dimension**

(plain round or profiled fastener) diameter of the shank without coating

### 3.4.2

#### fastener section dimension

(square fastener) length of one side of the section

### 3.4.3

#### fastener section dimension

(oval or rectangular fastener) minimum dimension of the section

## 4 Symbols and abbreviated terms

$d$	fastener section dimension, expressed in millimetres
$F$	load, expressed in newtons
$F_{\max}$	maximum load, expressed in newtons
$F_{\max,est}$	estimated maximum load, expressed in newtons
$f_h$	embedding strength, expressed in newtons per square millimetre
$f_{h,est}$	estimated embedding strength, expressed in newtons per square millimetre
$K_e$	elastic foundation modulus, expressed in newtons per cubic millimetre
$K_i$	initial foundation modulus, expressed in newtons per cubic millimetre
$K_s$	foundation modulus, expressed in newtons per cubic millimetre
$t$	test piece thickness, expressed in millimetres
$w$	indentation or deformation, expressed in millimetres
$w_e$	elastic deformation, expressed in millimetres
$w_i$	initial deformation, expressed in millimetres
$w_{i,mod}$	modified initial deformation, expressed in millimetres
$w_0$	deformation of the test apparatus at any given load, expressed in millimetres

## 5 Requirements

The fasteners and the timber, glued laminated timber or wood-based sheet product shall be, as far as possible, of the quality allowed by the relevant material specification.

## 6 Test method

### 6.1 Principle

The test shall be carried out on the test piece and using the apparatus shown in Figure 1. The fastener shall be uniformly embedded along its length into the wood without significant bending of the fastener. If it is difficult to avoid bending the fastener under test using the apparatus shown in Figure 1, the apparatus shown in Figure 2 may be used for tests.



The fastener shall be loaded perpendicular to its axis through the steel loading apparatus, and the load and the corresponding indentation or deformation shall be measured; see Figures 1 and 2.

The loading may be either in tension [see Figures 1 and 3 a)], or in compression; see Figures 2 and 3 b). For solid timber and solid, laminated or composite wood products with only one grain direction, the loading may be either parallel to the grain [see Figures 3 a) and 3 b)] or compression perpendicular to the grain; see Figure 3 c).

NOTE The principles of this part of ISO 10984 can be used for other angles between the load and the grain.

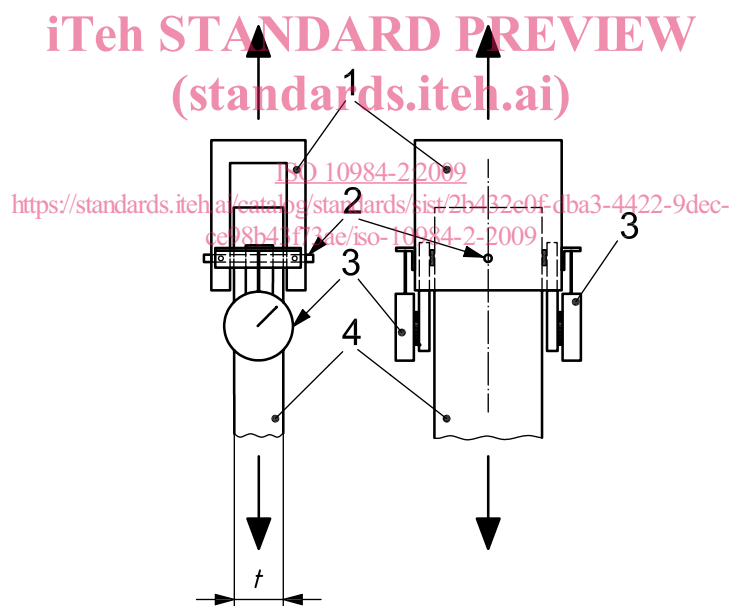
## 6.2 Test pieces

The test piece is a rectangular prism of wood or wood-based sheet product with a fastener placed with its axis perpendicular to the surface of the prismatic test piece. The minimum sizes of the test pieces are given in Table 1. The thickness shall be in the range  $5d$  to  $4d$ .

NOTE The reason for this requirement is to ensure a uniform embedment stress distribution over the longitudinal axis of the fastener. Particularly in using high density material, this is of concern.

For wood-based sheet products, the thickness of the test piece shall be the thickness of the panel as produced.

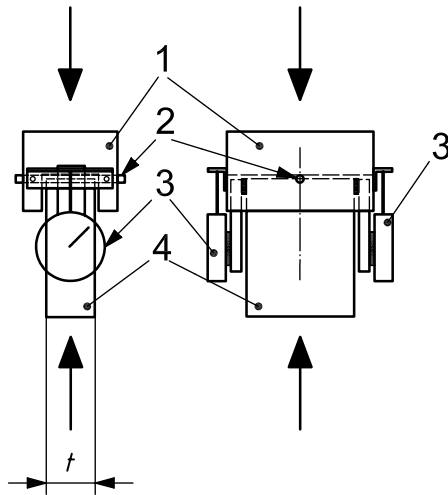
For the fasteners with coatings, the coatings shall be removed before measuring the diameter and carrying out the tests.



### Key

- 1 steel apparatus
- 2 fastener
- 3 displacement gauge attached to the test piece
- 4 test piece

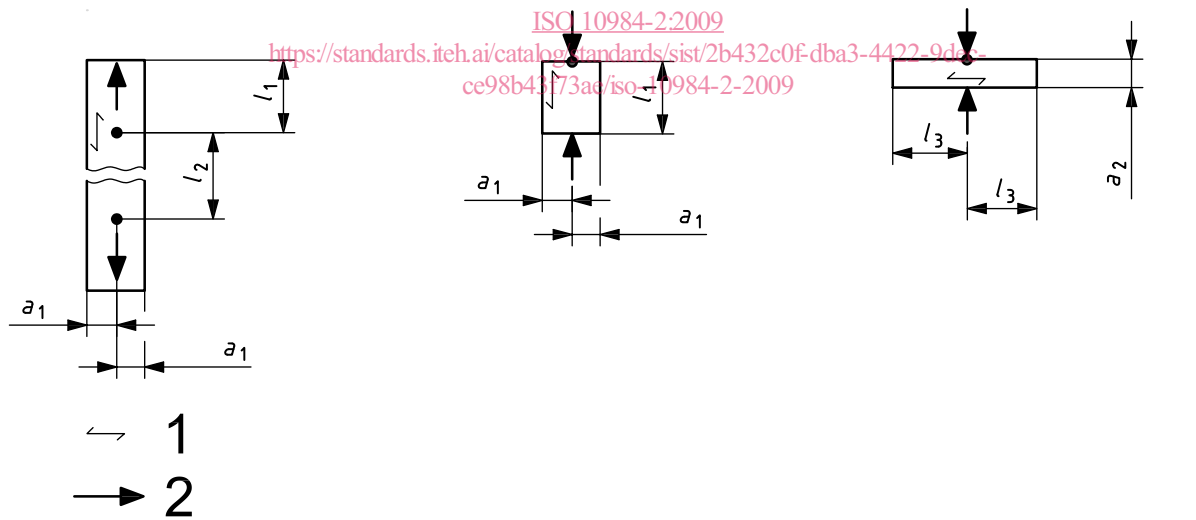
**Figure 1 — Tension test principle**



**Key**

- 1 steel apparatus
- 2 fastener
- 3 displacement gauge attached to the test piece
- 4 test piece

**Figure 2 — Compression test principle**  
(standards.iteh.ai)



a) For tension-parallel-to-grain test

b) For compression-parallel-to-grain test

c) For compression-perpendicular-to-grain test

(as shown in Figure 1)

(as shown in Figure 2)

(as shown in Figure 2)

**Key**

- 1 grain direction or one of the main directions of wood-based sheet products
- 2 loading direction

**Figure 3 — Sizes of test pieces as specified in Table 1**

Table 1 — Minimum sizes of test pieces

Measurement <sup>a</sup>	Nails		Bolts or dowels	Test piece material
	Not pre-bored	Pre-bored		
$a_1$	$5d$	$5d$	$3d$	Timber or wood-based sheet products
$l_1$	$20d$	$12d$	$7d$	
$l_2$	$40d$	$40d$	$30d$	
$a_2$	$5d$	$5d$	$5d$	Timber or layered wood products with one grain direction
$l_3$	$20d$	$20d$	$20d^b$	

<sup>a</sup> Measurements given in Figure 3 are dependent on  $d$ , which is defined in Clause 4.

<sup>b</sup> This measurement may be reduced to  $15d$  for bolts having diameters greater than 5 mm or  $10d$  for dowels having diameters greater than 10 mm.

### 6.3 Apparatus

**6.3.1 Test apparatus**, designed to minimize friction between steel plates and test pieces, including equipment for measuring the geometry, moisture content, etc. of the test pieces, together with the following, shall be available.

**6.3.1.1 Loading equipment**, capable of applying and continuously recording the load to an accuracy of  $\pm 1\%$  of the load applied to the test piece or, for loads less than 10 % of the maximum load applied to the piece, with an accuracy of  $\pm 0,1\%$  of the maximum load.

**6.3.1.2 Equipment**, capable of continuously recording the displacement of the fasteners in the wood with an accuracy of  $\pm 1\%$  of the displacement or for displacements of less than 2 mm, with an accuracy of  $\pm 0,03$  mm.

### 6.4 Preparation of test pieces

Before placing the fastener, the wood material shall be conditioned to constant mass in an environment having a relative humidity of  $(65 \pm 5)\%$  and a temperature of  $(20 \pm 2)^\circ\text{C}$ . After fabrication, the test piece shall be conditioned again in the same environment. Constant mass is considered as having been attained when the results of two successive weighings, carried out 6 h apart, do not differ by more than 0,1 % of the mass of the test piece.

For particular investigations, it can be appropriate to condition the test piece to other moisture conditions both before and after placing the fastener. If other climatic conditions are used, they shall be reported. In tropical climates, the wood material may be conditioned in an environment having a relative humidity of  $(65 \pm 5)\%$  and a temperature of  $(25 \pm 2)^\circ\text{C}$ .

### 6.5 Procedure

#### 6.5.1 Apparatus calibration

Initially, if relevant, the stiffness characteristic of the test apparatus may be determined to calibrate the load and deformation curve (see 6.6.2). To determine the stiffness characteristic of the test apparatus, a steel specimen with a tight-fitting pin of the same diameter as the fastener shall be placed in the apparatus and the load and deformation curve shall be determined as described in 6.5.6 and 6.5.7.

NOTE See Figure 8 for correction of the load and deformation curve taking into account the stiffness characteristics of the loading apparatus.