



**SLOVENSKI STANDARD**  
**SIST EN 12655:2002**  
**01-september-2002**

---

; ja bUgh bUcdfYa U! ?fc[ ]! : i b\_WjcbUby]b'j UfbcgfbY'nU H'j YždfYg\_i gbY  
a YtcXY

Gymnastic equipment - Hanging rings - Functional and safety requirements, test methods

Turngeräte - Ringeinrichtungen - Funktionelle und sicherheitstechnische Anforderungen, Prüfverfahren

**iTeh STANDARD PREVIEW**

(standards.iteh.ai)  
Matériel de gymnastique - Anneaux - Exigences fonctionnelles et de sécurité, méthodes d'essai

[SIST EN 12655:2002](#)

<https://standards.iteh.ai/catalog/standards/sist/3768d0cb-b696-44c5-8b00-9c74357db078/sist-en-12655-2002>

**Ta slovenski standard je istoveten z: EN 12655:1998**

---

**ICS:**

97.220.30

**SIST EN 12655:2002**

**en**

**iTeh STANDARD PREVIEW**  
**(standards.iteh.ai)**

SIST EN 12655:2002

<https://standards.iteh.ai/catalog/standards/sist/3768d0cb-b696-44c5-8b00-9c44337db078/sist-en-12655-2002>

EUROPEAN STANDARD

EN 12655

NORME EUROPÉENNE

EUROPÄISCHE NORM

July 1998

ICS 97.220.30

Descriptors: sport equipment, gymnastic equipment, hanging rings, classifications, design, specifications, dimensions, safety, accident prevention, stability, tests, information, marking

English version

## Gymnastic equipment - Hanging rings - Functional and safety requirements, test methods

Matériel de gymnastique - Anneaux - Exigences fonctionnelles et de sécurité, méthodes d'essai

Turngeräte - Ringeinrichtungen - Funktionelle und sicherheitstechnische Anforderungen, Prüfverfahren

This European Standard was approved by CEN on 1 July 1998.

CEN members are bound to comply with the CEN/CENELEC Internal Regulations which stipulate the conditions for giving this European Standard the status of a national standard without any alteration. Up-to-date lists and bibliographical references concerning such national standards may be obtained on application to the Central Secretariat or to any CEN member.

This European Standard exists in three official versions (English, French, German). A version in any other language made by translation under the responsibility of a CEN member into its own language and notified to the Central Secretariat has the same status as the official versions.

CEN members are the national standards bodies of Austria, Belgium, Czech Republic, Denmark, Finland, France, Germany, Greece, Iceland, Ireland, Italy, Luxembourg, Netherlands, Norway, Portugal, Spain, Sweden, Switzerland and United Kingdom.

iTeh STANDARD PREVIEW  
(standards.iteh.ai)

SIST EN 12655-2002

<https://standards.iteh.ai/catalog/standards/sist/5768d0eb-b696-44c5-8b00-9c44337db078/sist-en-12655-2002>



EUROPEAN COMMITTEE FOR STANDARDIZATION  
COMITÉ EUROPÉEN DE NORMALISATION  
EUROPÄISCHES KOMITEE FÜR NORMUNG

Central Secretariat: rue de Stassart, 36 B-1050 Brussels

## Contents

	Page
Foreword .....	2
1 Scope .....	3
2 Normative references .....	3
3 Types and classes .....	3
4 Functional requirements .....	4
5 Safety requirements .....	5
6 Test methods .....	8
7 Instructions for use .....	8
8 Marking .....	8

### Foreword

This European Standard has been prepared by Technical Committee CEN/TC 136 "Sports, playground and other recreational equipment", the secretariat of which is held by DIN.

This European Standard shall be given the status of a national standard, either by publication of an identical text or by endorsement, at the latest by January 1999, and conflicting national standards shall be withdrawn at the latest by January 1999.

This European Standard is one of a package, each of which deals with a particular type or a particular group of equipment.

This European Standard should be read in conjunction with EN 913.

According to the CEN/CENELEC Internal Regulations, the national standards organizations of the following countries are bound to implement this European Standard: Austria, Belgium, Czech Republic, Denmark, Finland, France, Germany, Greece, Iceland, Ireland, Italy, Luxembourg, Netherlands, Norway, Portugal, Spain, Sweden, Switzerland and the United Kingdom.

**iTeh STANDARD PREVIEW**  
**(standards.iteh.ai)**

[SIST EN 12655:2002](#)

<https://standards.iteh.ai/catalog/standards/sist/3768d0cb-b696-44c5-8b00-9c44337db078/sist-en-12655-2002>

## 1 Scope

This standard specifies functional requirements (see clause 4) and specific safety requirements (see clause 5) for gymnastic hanging rings in addition to the general safety requirements in EN 913.

This standard is applicable to 3 types of gymnastic hanging rings (see table 1).

## 2 Normative references

This European Standard incorporates by dated or undated references, provisions from other publications. These normative references are cited at the appropriate places in the text and the publications are listed hereafter. For dated references, subsequent amendments to or revisions of any of these publications apply to this European Standard only when incorporated in it by amendment or revision. For undated references the latest edition of the publication referred to applies.

EN 913:1996  
Gymnastic equipment – General safety requirements and test methods

## 3 Types and classes

### 3.1 Classification

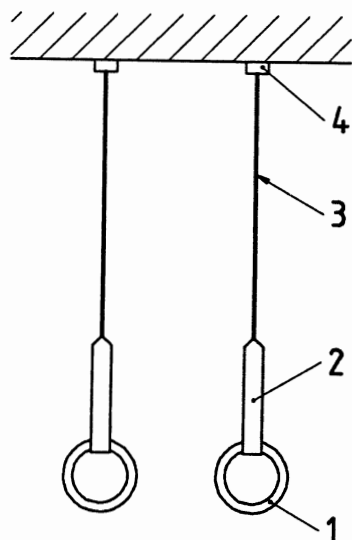
Gymnastic equipment with hanging rings shall be classified by the design (types) as shown in table 1.

**Table 1: Classification**

Type	Description	Example
1	Fixed height ring set	Figure 1
2	Adjustable height ring set	Figure 2
3	Adjustable height swinging ring set	Figure 3

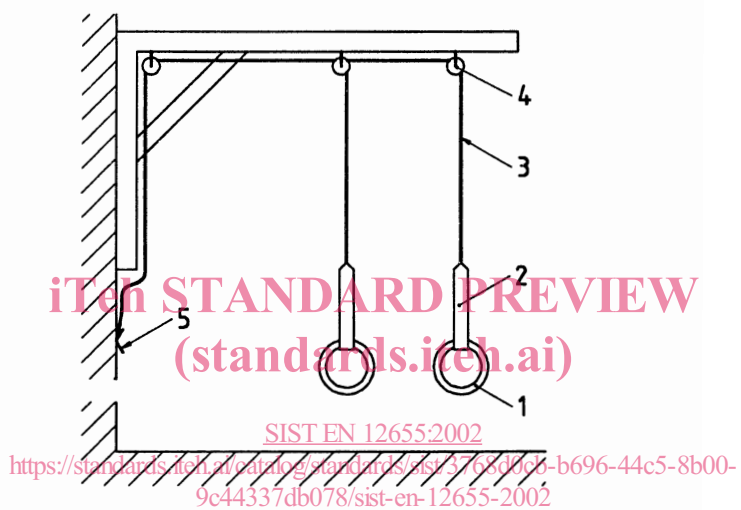
**iTeh STANDARD PREVIEW**  
**(standards.iteh.ai)**

[SIST EN 12655:2002](https://standards.iteh.ai/catalog/standards/sist/3768d0cb-b696-44c5-8b00-9c44337db078/sist-en-12655-2002)  
<https://standards.iteh.ai/catalog/standards/sist/3768d0cb-b696-44c5-8b00-9c44337db078/sist-en-12655-2002>



- 1 ring
- 2 strap (ring attachment)
- 3 cable
- 4 swivel

Figure 1: Typical example of type 1 equipment



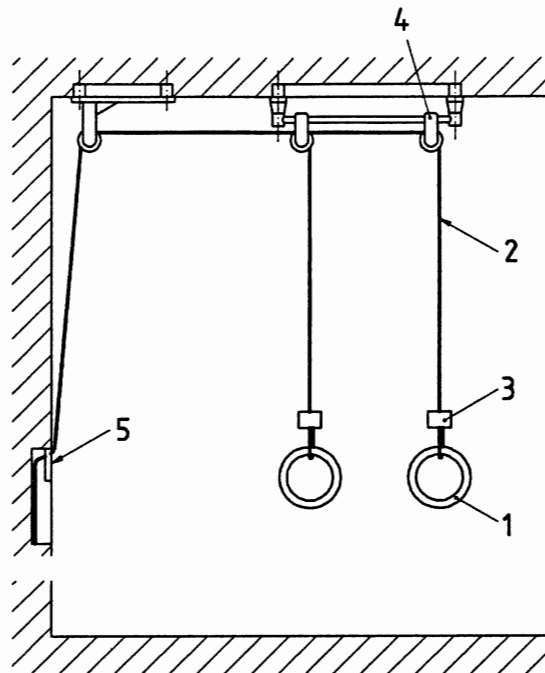
iTeh STANDARD PREVIEW  
(standards.iteh.ai)

SIST EN 12655:2002

<https://standards.iteh.ai/catalog/standards/sist/3768d6c6-b696-44c5-8b00-9c44337db078/sist-en-12655-2002>

- 1 ring
- 2 strap (ring attachment)
- 3 cable
- 4 pulley
- 5 height adjustment fixing part

Figure 2: Typical example of type 2 equipment



- 1 ring
- 2 rope
- 3 rope adjust
- 4 swinging mechanism
- 5 height adjustment fixing point

Figure 3: Typical example of type 3 equipment

### 3.2 Components

Equipment with gymnastic hanging rings shall comprise at least the following:

a) For type 1 (see figure 1):

- 1) pair of rings;
- 2) straps;
- 3) cable;
- 4) swivel.

**iTeh STANDARD PREVIEW**  
**(standards.iteh.ai)**  
<https://standards.iteh.ai/catalog/standards/sist/3768d0cb-b696-44c5-8b00-9c44337db078/sist-en-12655-2002>  
**SIST EN 12655:2002**

b) For type 2 (see figure 2):

- 1) pair of rings;
- 2) straps;
- 3) cable;
- 4) pulley;
- 5) height adjustment fixing point.

c) For type 3 (see figure 3):

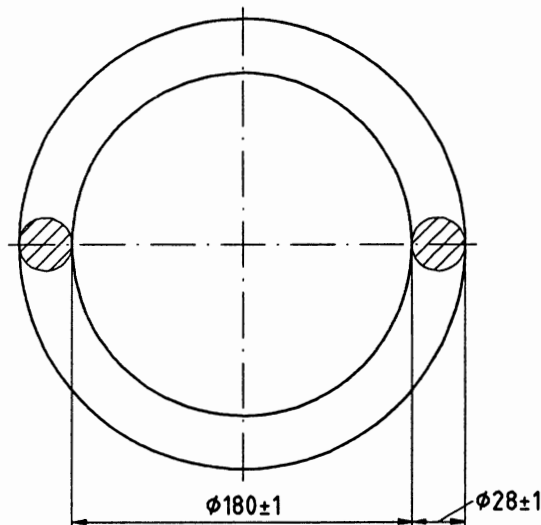
- 1) pair of rings;
- 2) rope;
- 3) rope adjuster;
- 4) swinging mechanism;
- 5) height adjustment fixing point.

## 4 Functional requirements

### 4.1 Rings

Rings shall be circular and have the dimensions shown in figure 4.

Dimensions in millimetres



**iTeh STANDARD PREVIEW**  
**Figure 4: Dimensions for rings**  
**(standards.iteh.ai)**

### 4.2 Axis of rotation

[SIST EN 12655:2002](https://standards.iteh.ai/catalog/standards/sist/3768d0cb-b696-44c5-8b00-9c44337db078/sist-en-12655-2002)

For all types of equipment each ring shall be able to rotate about its own vertical axis.

For type 3 equipment the swinging mechanism shall allow swinging in the direction of intended use.

### 4.3 Dimensions

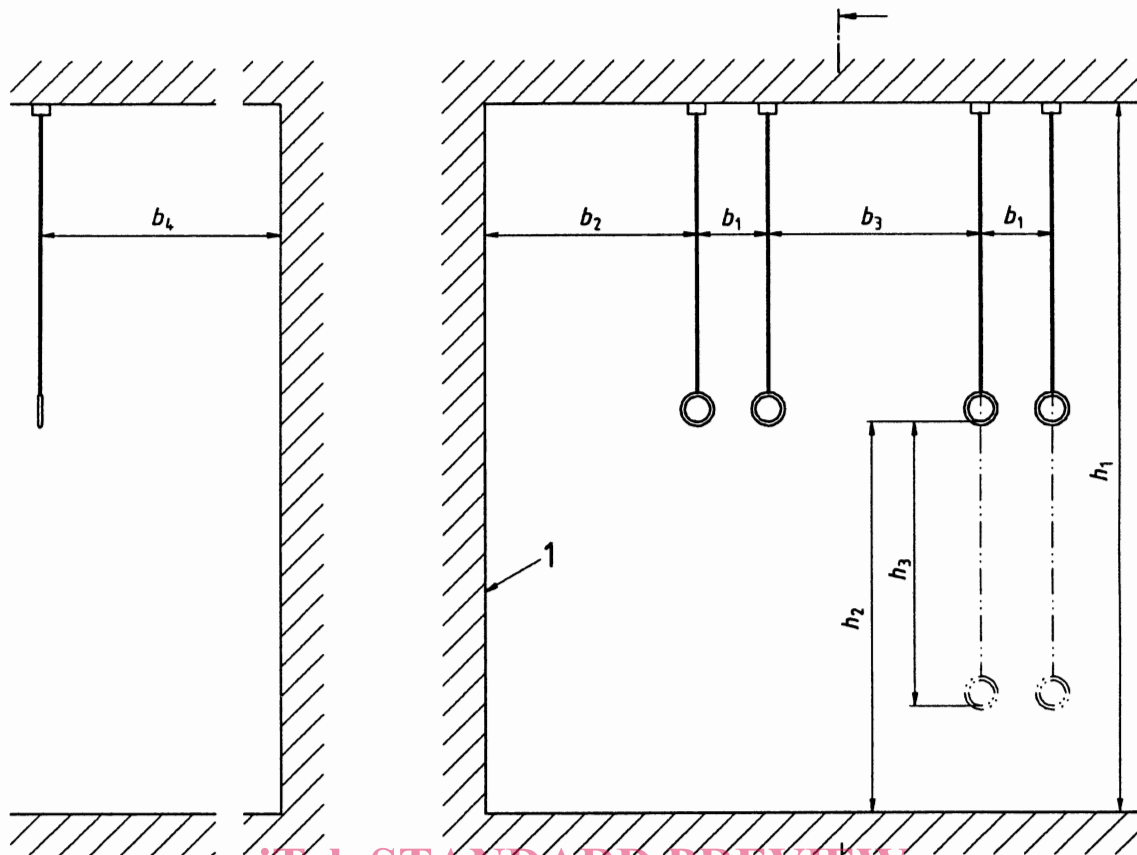
All rings shall comply with the dimensions specified in table 2 and figure 5. The information booklet (see clause 7) shall contain the dimensions required for correct installation.



Table 2: Dimensions

Dimensions in millimetres

Type	$h_{1 \text{ max}}$	$h_{2 \text{ max}}$	$h_{3 \text{ min}}$	$b_1$	$b_{2 \text{ min}}$	$b_{3 \text{ min}}$	$b_{4 \text{ min}}$
1	5 775	3 000	–	500±5	1 500	1 500	4 000
2	5 775	3 000	2 000	500±5	1 500	1 500	4 000
3	5 600	3 000	2 000	500±5	1 500	1 500	10 000



iTeh STANDARD PREVIEW  
(standards.iteh.ai)

SIST EN 12655:2002

<https://standards.iteh.ai/catalog/standards/sist/3768d0cb-b696-44c5-8b00-9c44337db078/sist-en-12655-2002>

1 face of nearest object

Figure 5: Dimensions for gymnastic hanging rings – types 1, 2 and 3