



SLOVENSKI STANDARD
SIST EN 13219:2002

01-september-2002

; ja bUgh bUcdfYa U!`DfcybYdcb`Uj Y!': i b_VjcbU`bY`j`b`j UfbcghbY`nUA H`j Y`Z
dfYg_i gbY`a YrcXY

Gymnastic equipment - Trampolines - Functional and safety requirements, test methods

Turngeräte - Trampoline - Funktionelle und sicherheitstechnische Anforderungen,
Prüfverfahren

Matériel de gymnastique - Trampolines - Exigences fonctionnelles et de sécurité,
méthodes d'essai

ITeH STANDARD PREVIEW
(standards.iteh.ai)

[SIST EN 13219:2002](https://standards.iteh.ai/catalog/standards/sist/9110f0a1-81b3-4b09-abc0-72959769589a/sist-en-13219-2002)

Ta slovenski standard je istoveten z: **EN 13219:2001**

<https://standards.iteh.ai/catalog/standards/sist/9110f0a1-81b3-4b09-abc0-72959769589a/sist-en-13219-2002>

ICS:

97.220.30 Oprema za dvoranske športe Indoor sports equipment

SIST EN 13219:2002

en

iTeh STANDARD PREVIEW
(standards.iteh.ai)

SIST EN 13219:2002

<https://standards.iteh.ai/catalog/standards/sist/9110f0a1-81b3-4b09-abc0-72939769589a/sist-en-13219-2002>

EUROPEAN STANDARD

EN 13219

NORME EUROPÉENNE

EUROPÄISCHE NORM

May 2001

ICS 97.220.30

English version

Gymnastic equipment - Trampolines - Functional and safety requirements, test methods

Matériel de gymnastique - Trampolines - Exigences fonctionnelles et de sécurité, méthodes d'essai

Turngeräte - Trampoline - Funktionelle und sicherheitstechnische Anforderungen, Prüfverfahren

This European Standard was approved by CEN on 20 April 2001.

CEN members are bound to comply with the CEN/CENELEC Internal Regulations which stipulate the conditions for giving this European Standard the status of a national standard without any alteration. Up-to-date lists and bibliographical references concerning such national standards may be obtained on application to the Management Centre or to any CEN member.

This European Standard exists in three official versions (English, French, German). A version in any other language made by translation under the responsibility of a CEN member into its own language and notified to the Management Centre has the same status as the official versions.

CEN members are the national standards bodies of Austria, Belgium, Czech Republic, Denmark, Finland, France, Germany, Greece, Iceland, Ireland, Italy, Luxembourg, Netherlands, Norway, Portugal, Spain, Sweden, Switzerland and United Kingdom.

SIST EN 13219:2002

<https://standards.iteh.ai/catalog/standards/sist/9110f0a1-81b3-4b09-abc0-72939769589a/sist-en-13219-2002>



EUROPEAN COMMITTEE FOR STANDARDIZATION
COMITÉ EUROPÉEN DE NORMALISATION
EUROPÄISCHES KOMITEE FÜR NORMUNG

Management Centre: rue de Stassart, 36 B-1050 Brussels

iTeh STANDARD PREVIEW
(standards.iteh.ai)

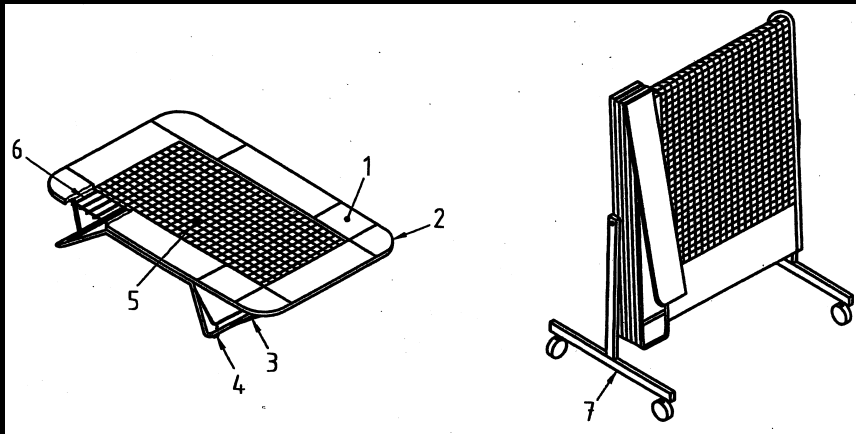
SIST EN 13219:2002

<https://standards.iteh.ai/catalog/standards/sist/9110f0a1-81b3-4b09-abc0-72939769589a/sist-en-13219-2002>

iTeh STANDARD PREVIEW
(standards.iteh.ai)

SIST EN 13219:2002

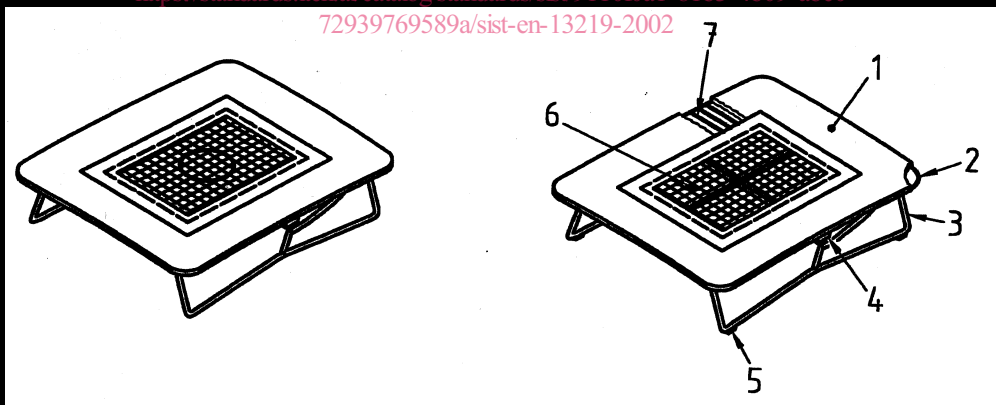
<https://standards.iteh.ai/catalog/standards/sist/9110f0a1-81b3-4b09-abc0-72939769589a/sist-en-13219-2002>

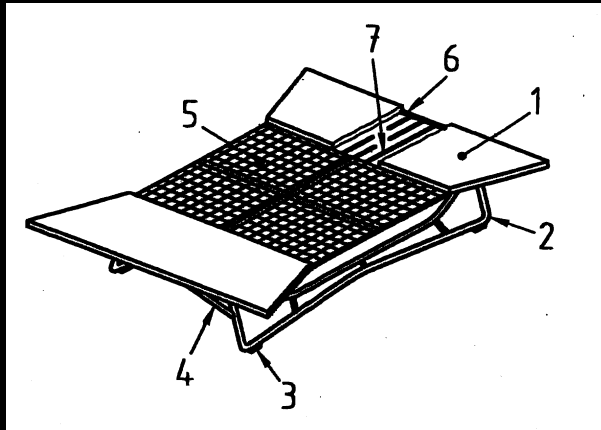


iTeh STANDARD PREVIEW
(standards.iteh.ai)

SIST EN 13219:2002

<https://standards.iteh.ai/catalog/standards/sist/9110f0a1-81b3-4b09-abc0-72939769589a/sist-en-13219-2002>

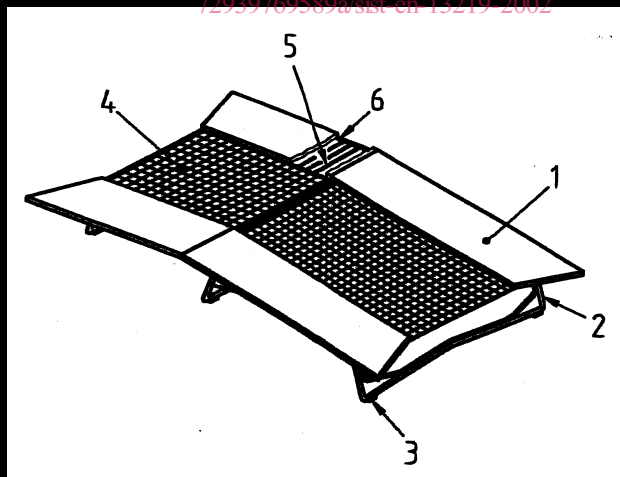


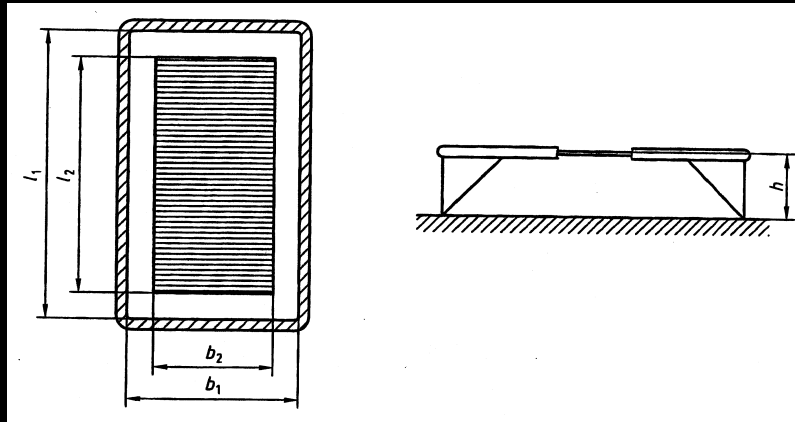


iTeh STANDARD PREVIEW (standards.iteh.ai)

SIST EN 13219:2002

<https://standards.iteh.ai/catalog/standards/sist/9110f0a1-81b3-4b09-abc0-72939769589a/sist-en-13219-2002>

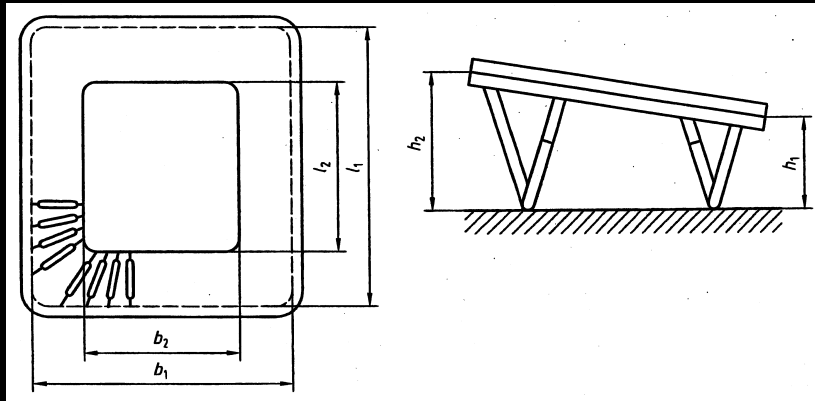




iTeh STANDARD PREVIEW
(standards.iteh.ai)

SIST EN 13219:2002

<https://standards.iteh.ai/catalog/standards/sist/9110f0a1-81b3-4b09-abc0-72939769589a/sist-en-13219-2002>



iTeh STANDARD PREVIEW
(standards.iteh.ai)

SIST EN 13219:2002

<https://standards.iteh.ai/catalog/standards/sist/9110f0a1-81b3-4b09-abc0-72979769589a/sist-en-13219-2002>

