



SLOVENSKI STANDARD

SIST EN 748:1996

01-december-1996

Playing field equipment - Goals for football, sizes 7,32 m <x> 2,44 m and 5,00 m <x> 2,00 m - Requirements and test methods

Playing field equipment - Football goals - Requirements and test methods including safety

Spielfeldgeräte - Fußballtore - Anforderungen und Prüfverfahren einschließlich Sicherheit

Equipement de jeux - Buts de football - Exigences et méthodes d'essai y compris la sécurité

iTeh STANDARD PREVIEW
(standards.itteh.ai)

[SIST EN 748:1996](https://standards.itteh.ai/catalog/standards/sist/56a5d4ab-5548-415d-9e92-d51c2a094248/sist-en-748-1996)

Ta slovenski standard je istoveten z: EN 748:1995

<https://standards.itteh.ai/catalog/standards/sist/56a5d4ab-5548-415d-9e92-d51c2a094248/sist-en-748-1996>

ICS:

97.220.40	Oprema za športe na prostem in vodne športe	Outdoor and water sports equipment
-----------	---	------------------------------------

SIST EN 748:1996

en

iTeh STANDARD PREVIEW
(standards.iteh.ai)

SIST EN 748:1996

<https://standards.iteh.ai/catalog/standards/sist/56a5d4ab-5548-415d-9e92-d3fc2a094248/sist-en-748-1996>

EUROPEAN STANDARD

EN 748

NORME EUROPÉENNE

EUROPÄISCHE NORM

December 1995

ICS 97.220.40

Descriptors: sports, football, sports equipment, goals, sports nets, specifications, designation, dimensions, safety, tests, marking

English version

Playing field equipment - Football goals - Requirements and test methods including safety

Equipement de jeux - Buts de football -
Exigences et méthodes d'essai y compris la
sécurité

Spielfeldgeräte - Fußballtore - Anforderungen
und Prüfverfahren einschließlich Sicherheit

(standards.iteh.ai)

SIST EN 748:1996

<https://standards.iteh.ai/catalog/standards/sist/56a5d4ab-5548-415d-9e92-d3fc2a094248/sist-en-748-1996>

This European Standard was approved by CEN on 1995-11-27. CEN members are bound to comply with the CEN/CENELEC Internal Regulations which stipulate the conditions for giving this European Standard the status of a national standard without any alteration.

Up-to-date lists and bibliographical references concerning such national standards may be obtained on application to the Central Secretariat or to any CEN member.

The European Standards exist in three official versions (English, French, German). A version in any other language made by translation under the responsibility of a CEN member into its own language and notified to the Central Secretariat has the same status as the official versions.

CEN members are the national standards bodies of Austria, Belgium, Denmark, Finland, France, Germany, Greece, Iceland, Ireland, Italy, Luxembourg, Netherlands, Norway, Portugal, Spain, Sweden, Switzerland and United Kingdom.

CEN

European Committee for Standardization
Comité Européen de Normalisation
Europäisches Komitee für Normung

Central Secretariat: rue de Stassart, 36 B-1050 Brussels

Contents

Foreword	2
1 Scope	3
2 Normative references	3
3 Requirements for signs 7,32 m x 2,44 m and 5,00 m x 2,00 m	3
4 Safety requirements	8
5 Test methods	9
6 Assembly instruction	10
7 Warning label	10
8 Marking	10
Annex A (informative) Example of foundations	11

Foreword

This European Standard has been prepared by The Technical Committee CEN/TC 136 "Sports, playground and other recreational equipment", of which the secretariat is held by DIN.

This European Standard shall be given the status of a national standard, either by publication of an identical text or by endorsement, at the latest June 1996, and conflicting national standards shall be withdrawn at the latest by June 1996.

According to the CEN/CENELEC Internal Regulations, the following countries are bound to implement this European Standard: Austria, Belgium, Denmark, Finland, France, Germany, Greece, Iceland, Ireland, Italy, Luxembourg, Netherlands, Norway, Portugal, Spain, Sweden, Switzerland and the United Kingdom.

1 Scope

This standard specifies the functional requirements for 3 types and 2 sizes (see clause 3) and the safety requirements (see clause 4) for football goals.

It is applicable to football goals for training and competition in outdoor sports facilities and indoor arenas.

2 Normative references

This European Standard incorporates, by dated or undated reference, provisions from other publications. These normative references are cited at the appropriate places in the text and the publications are listed hereafter. For dated references, subsequent amendments to or revisions of any of these publications apply to this European Standard only when incorporated in it by amendment or revision. For undated references, the latest edition of the publication referred to applies.

EN 749

Playing field equipment – Handball goals – Requirements and test methods including safety

prEN 1176-1

Playground equipment – Part 1: General safety requirements and test methods

ISO 2062

Textiles – Yarns from packages – Determination of single-end breaking force and elongation at break

ISO 2307

Ropes – Determination of certain physical and mechanical properties

3 Requirements for sizes 7,32 m × 2,44 m and 5,00 m × 2,00 m

3.1 Classification

Football goals shall be classified by the design (types and sizes) as shown in table 1.

Table 1: Types

Dimensions in metres

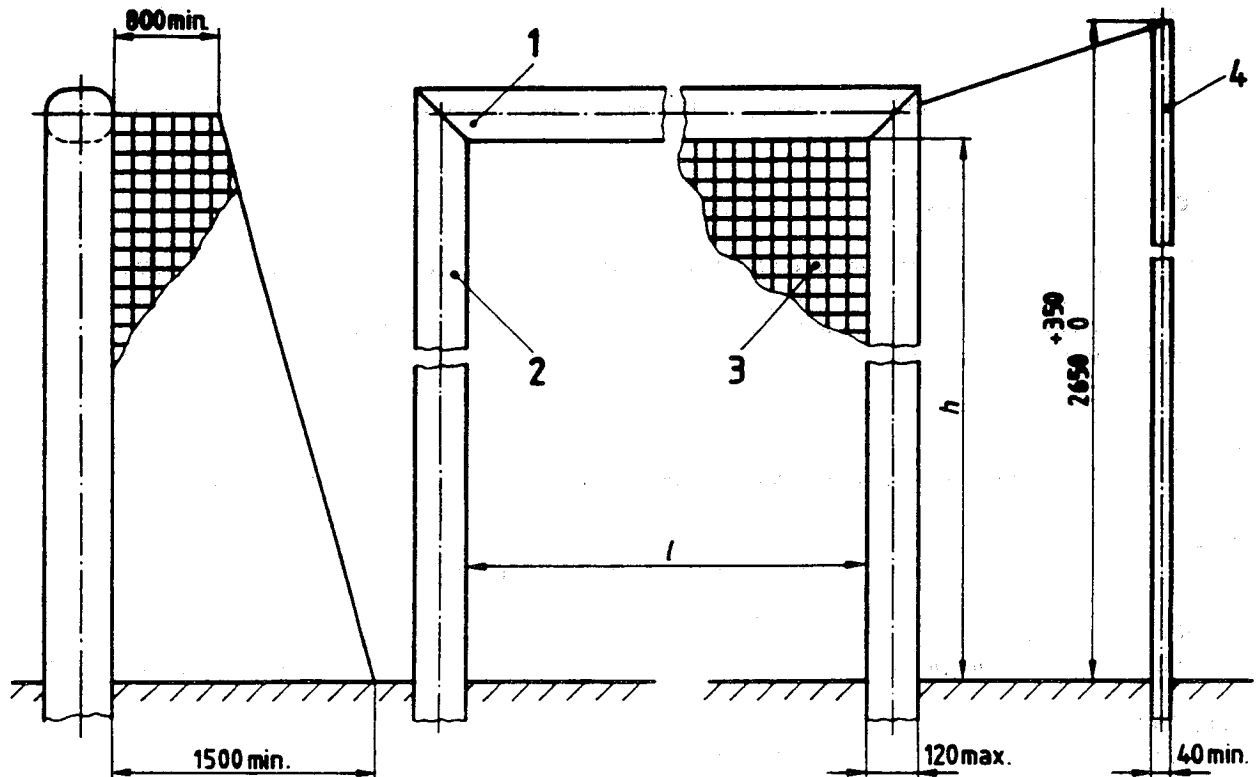
Type	Size	Description
1	7,32 × 2,44 5,00 × 2,00	Football goal with free guy of the net and with ground sockets
2	7,32 × 2,44 5,00 × 2,00	Football goal with net supports and ground sockets
3	7,32 × 2,44 5,00 × 2,00	Freestanding football goal with ground fixings

3.2 Dimensions

Football goals shall comply with the dimensions shown in table 2 and figures 1 to 3.

NOTE: The size 3,00 m × 2,00 m is similar to the handball goal which is covered in EN 749.

Dimensions in millimetres



iTeh STANDARD PREVIEW
(standards.iteh.ai)

SIST EN 748:1996

<https://standards.iteh.ai/catalog/standards/sist/56a5d4ab-5548-415d-9e92-d3fc2a094248/sist-en-748-1996>

- 1 Crossbar
- 2 Upright
- 3 Net
- 4 Pole for net head line
- 5 Net head line

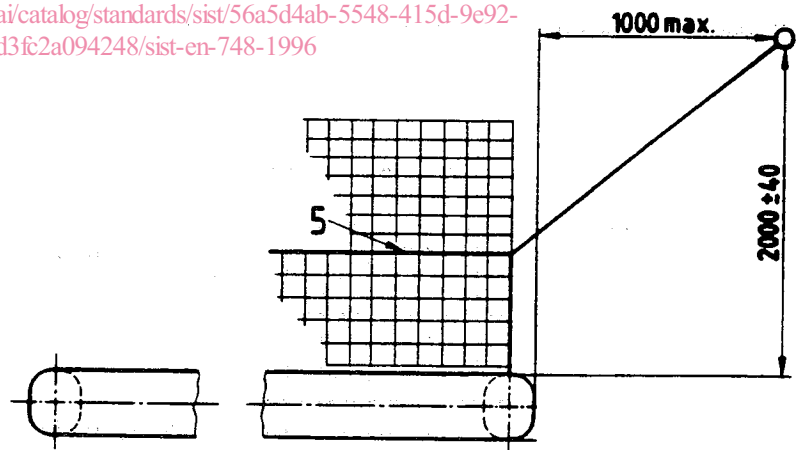


Figure 1: Football goal type 1

Table 2: Dimensions

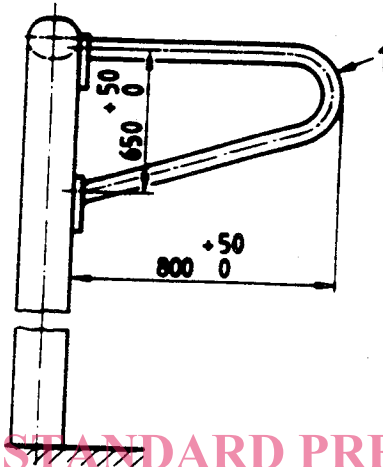
Size code	Dimensions in millimetres	
	l	h
732 × 244	7 320 ± 8	2 440 ± 8
500 × 200	5 000 ± 8	2 000 ± 8

For an example for foundation see annex A.

One football goal type 1 consists of:

- the goal frame (2 uprights and 1 crossbar) including net fixings;
- the ground sockets;
- the net with net head line including means of contact with the ground;
- the poles with ground sockets.

Dimensions in millimetres



iTeh STANDARD PREVIEW
(standards.iteh.ai)

1 Net supports

Figure 2: Football goal type 2
SIST EN 748:1996

Other dimensions and specifications as type 1.
<https://standards.iteh.ai/catalog/standards/sist/56a5d4ab-5548-415d-9e92-d3fc2a094248/sist-en-748-1996>

One football goal type 2 consists of:

- the goal frame (2 uprights and 1 crossbar) including net fixings and net supports;
- the ground sockets;
- the net with net head line including means of contact with the ground.

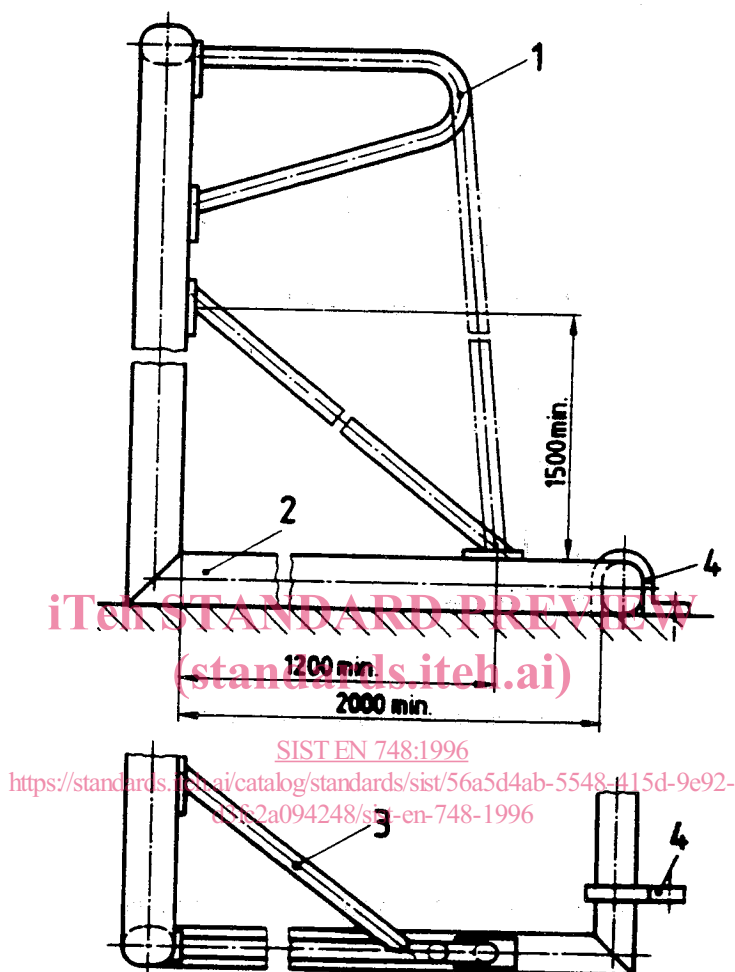


Figure 3: Football goal type 3

Other dimensions and specifications as type 1.

One football goal type 3 consists of:

- the goal frame (2 uprights, 1 crossbar and the ground frame) including net fixings, net supports including cross bracket and ground fixings (at least one at each side);
- the net with net head line including means of contact with the ground.

3.3 Material

The goal frame may be made of steel, light metal or plastics, provided the requirements of this standard are fulfilled.

The ground frame, the ground sockets, the brackets and the poles for the net head line shall be made of light metal and/or steel protected against corrosion (e.g. hot-galvanized, powder coated or painted).

The fixings of the net to the goal shall be made of non-corrosive metal or of plastic material.

For the net, net yarns may be used made of synthetic or natural fibres.

For the net head line synthetic ropes shall be used.

NOTE: Synthetic net yarn and net head lines should contain a minimum of 2,5 % UV-stabilizer.

3.4 Design

3.4.1 Goal frame

The construction shall be sufficiently secure to withstand the stresses during a game and when moved.

NOTE: The uprights and the crossbar may be made of one or more pieces.

The uprights and the crossbar of one football goal shall have the same cross section.

The crossbar shall not be deformed for more than 10 mm when tested according to 5.2.

Each fixing point of the net shall withstand the test in 5.4 without breakage.

The goal frame shall be either white or be natural silver colour of light metal.

3.4.2 Nets

3.4.2.1 Dimensions

The net dimensions shall comply with table 3.

The net meshes shall be square with filaments running horizontally and vertically.

SIST EN 748:1996
<https://standards.iteh.ai/standards/standard/sist/565d4ab-5548-415d-9e92-d3fc2a094248/sist-en-748-1996>
Table 3: Net dimensions

Dimensions in millimetres

size code	length min.	height min.	depth		width of mesh max.	diameter of yarn min. ¹⁾
			top min.	ground min.		
750 × 250	7 500	2 500	800	1 500	120	2
515 × 205	5 150	2 050	800	1 500	120	2

¹⁾ The diameter is minimum to minimize the risk of cutting