



# SLOVENSKI STANDARD

## SIST EN 750:1996

01-december-1996

---

**Oprema športnih igrišč - Vrata za hokej na ledu - Zahteve in preskusne metode, ki vključujejo varnost**

Playing field equipment - Hockey goals - Requirements and test methods including safety

Spielfeldgeräte - Hockeytore - Anforderungen und Prüfverfahren einschließlich Sicherheit

Équipement de jeux - Buts pour hockey - Exigences et méthodes d'essai y compris la sécurité

**iTeh STANDARD PREVIEW**  
(standards.iteh.ai)

[SIST EN 750:1996](https://standards.iteh.ai/catalog/standards/sist/481486b4-3caf-400f-9af2-1cc0b52c74db/sist-en-750-1996)

**Ta slovenski standard je istoveten z: EN 750:1995**

---

**ICS:**

97.220.30 Oprema za dvoranske športe Indoor sports equipment

**SIST EN 750:1996**

**en**

**iTeh STANDARD PREVIEW**  
**(standards.iteh.ai)**

SIST EN 750:1996

<https://standards.iteh.ai/catalog/standards/sist/481486b4-3caf-400f-9af2-fee6b52c74db/sist-en-750-1996>

EUROPEAN STANDARD

EN 750

NORME EUROPÉENNE

EUROPÄISCHE NORM

December 1995

ICS 97.220.40

Descriptors: Sports, hockey, sports equipment, goals, sports nets, specification, designation, dimensions, safety, tests, marking

English version

## Playing field equipment - Hockey goals - Requirements and test methods including safety

Equipement de jeux - Buts pour hockey  
Exigences et méthodes d'essai y compris la  
sécurité

Spielplatzgeräte - Hockeystore - Anforderungen  
und Prüfverfahren einschließlich Sicherheit

**(standards.iteh.ai)**

SIST EN 750:1996

<https://standards.iteh.ai/catalog/standards/sist/481486b4-3caf-400f-9af2-fee6b52c74db/sist-en-750-1996>

This European Standard was approved by CEN on 1995-11-27. CEN members are bound to comply with the CEN/CENELEC Internal Regulations which stipulate the conditions for giving this European Standard the status of a national standard without any alteration.

Up-to-date lists and bibliographical references concerning such national standards may be obtained on application to the Central Secretariat or to any CEN member.

The European Standards exist in three official versions (English, French, German). A version in any other language made by translation under the responsibility of a CEN member into its own language and notified to the Central Secretariat has the same status as the official versions.

CEN members are the national standards bodies of Austria, Belgium, Denmark, Finland, France, Germany, Greece, Iceland, Ireland, Italy, Luxembourg, Netherlands, Norway, Portugal, Spain, Sweden, Switzerland and United Kingdom.

# CEN

European Committee for Standardization  
Comité Européen de Normalisation  
Europäisches Komitee für Normung

Central Secretariat: rue de Stassart, 36 B-1050 Brussels

## Contents

	Page
Foreword .....	2
1 Scope .....	3
2 Normative references .....	3
3 Requirements .....	3
4 Safety requirements .....	6
5 Test methods .....	7
6 Assembly instructions .....	7
7 Warning label .....	9
8 Marking .....	9

## Foreword

This European Standard has been prepared by the Technical Committee 136 "Sports, playground and other recreational equipment" of which the secretariat is held by DIN.

This European Standard shall be given the status of a national standard, either by publication of an identical text or by endorsement, at the latest by June 1996, and conflicting national standards shall be withdrawn at the latest by June 1996.

According to the CEN/CENELEC Internal Regulations, the following countries are bound to implement this European Standard (Austria, Belgium, Denmark, Finland, France, Germany, Greece, Iceland, Ireland, Italy, Luxembourg, Netherlands, Norway, Portugal, Spain, Sweden, Switzerland and the United Kingdom).

SIST EN 750:1996

<https://standards.iteh.ai/catalog/standards/sist/481486b4-3caf-400f-9af2-fee6b52c74db/sist-en-750-1996>

## 1 Scope

This standard specifies the functional requirements for 2 types (see clause 3) and the safety requirements (see clause 4) for hockey goals.

This standard is applicable to goals for training and competition intended to be used for outdoor hockey. Goals intended to be used for indoor hockey see EN 749.

## 2 Normative references

This European Standard incorporates, by dated or undated reference, provisions from other publications. These normative references are cited at the appropriate places in the text and the publications are listed hereafter. For dated references, subsequent amendments to or revisions of any of these publications apply to this European Standard only when incorporated in it by amendment or revision. For undated references, the latest edition of the publication referred to applies.

EN 749

Playing field equipment – Handball goals – Requirements and test methods including safety

prEN 1176-1

Playground equipment – Part 1: General safety requirements and test methods

ISO 2062

Textiles – Yarns from packages – Determination of single-end breaking force and elongation at break

ISO 2307

Ropes – Determination of certain physical and mechanical properties

**iTeh STANDARD PREVIEW**  
**(standards.iteh.ai)**

## 3 Requirements

[SIST EN 750:1996](#)

### 3.1 Classification

<https://standards.iteh.ai/catalog/standards/sist/481486b4-3caf-400f-9af2-fee6b52c74db/sist-en-750-1996>

Hockey goals shall be classified by the design (types) as shown in table 1.

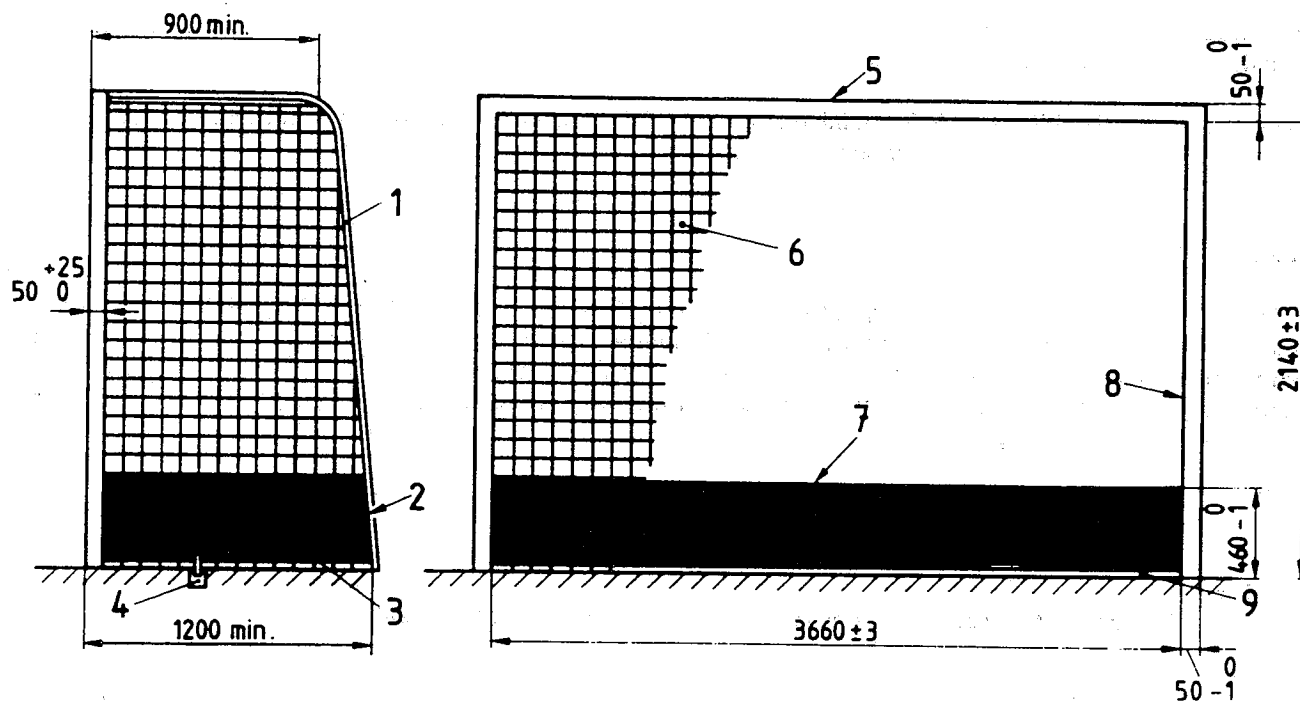
**Table 1: Types**

Type	Description
1	Hockey goal with ground sockets
2	Freestanding hockey goal

### 3.2 Dimensions

Hockey goals shall comply with the dimensions shown in figure 1.

Dimensions in millimetres



- 1 Net supporting brackets
- 2 Side backboard
- 3 Bottom side bar
- 4 Example of anti-tilting device
- 5 Crossbar

- 6 Net
- 7 Rear backboard
- 8 Upright
- 9 Bottom back bar

SIST EN 750:1996  
<https://standards.it/en/catalog/standards/sist-en-750-1996/3caf-400f-9af2-fee6b52c74db/sist-en-750-1996>  
**Figure 1: Hockey goal type 2**

One hockey goal consists of:

- the goal frame (2 uprights and 1 crossbar) including net fixings (and ground sockets for type 1);
- the backboards (1 rear backboard, 2 side backboards);
- 2 net supporting brackets;
- 2 bottom side bars;
- anti-tilting devices (at least one at each side) (for type 2);
- 1 bottom back bar;
- 1 net.

### 3.3 Material

The goal frame and the backboards may be made of timber, steel, light metal or plastic material, provided the requirements of this standard are fulfilled.

Net supporting brackets and bottom side and back bars shall be made of light metal and/or steel protected against corrosion (e.g. hot-galvanized, powder coated or painted).

NOTE: Synthetic net yarn and net head lines should contain a minimum of 2,5 % UV-stabilizer.

### 3.4 Design

#### 3.4.1 Goal frame

The construction shall be sufficiently secure to withstand the stresses occurring during a game and during transport.

The latter requirement is fulfilled when the corner section of the goal frame is not deformed or damaged after testing according to 5.2.

The goal frame shall be in white colour.

#### 3.4.2 Nets

##### 3.4.2.1 Dimensions

The net dimensions shall comply with table 2.

The net meshes shall be square with filaments running horizontally and vertically.

Table 2: Net dimensions

Dimensions in millimetres

length min.	height min.	depth		width of mesh max.	diameter of yarn min. <sup>1)</sup>
		top min.	ground min.		
3 660	2 140	900	1 200	45	2

<sup>1)</sup> The diameter is minimum to minimize the risk of cutting.

<https://standards.iteh.ai/catalog/standards/sist/481486b4-3ca1-400f-9af2-fee6b52c74db/sist-en-750-1996>

##### 3.4.2.2 Physical properties

Nets shall comply with tables 3 and 4, as appropriate.

Table 3: Breaking forces of net yarn

Class	N min.	Test method
A	1 500	ISO 2062
B	900	
C	660	

**Table 4: Rope breaking forces of net head line**

Class	N min.	Test method
Z	7 000	ISO 2307
Y	3 000	

**3.4.2.3 Net fixing**

The net shall be so fixed that the ball will not pass between the goal frame and the net.

**3.4.3 Ground sockets**

For the depth of the ground socket and the dimensions of the concrete block see EN 749.

When using sockets out of doors, they shall have a drainage hole.

**4 Safety requirements****4.1 General**

Corners and edges which may cause injuries, shall be rounded with a radius of at least 3 mm.

(standards.iteh.ai)

**4.2 Goal frame**

The edges of the goal frame shall be rounded to a radius of  $(3 \pm 1)$  mm.

**4.3 Stability**

When tested in accordance with 5.2, the goal shall not tilt nor slide.

**4.4 Net supporting brackets**

The connection of net supporting brackets shall not protrude outside the goal frame.

**4.5 Net fixings**

The fixation of the net to the goal frame and the brackets/bars shall be designed in such a way that the player cannot be hurt or parts of him cannot be caught.

This requirement is fulfilled if openings do not exceed 5 mm. If spring hooks are used as means of fixation or for the end of a rope, they shall have screw caps.

**4.6 Entrapment**

Regarding entrapment see prEN 1176-1.



## 5 Test methods

### 5.1 General

If not otherwise specified in the following the requirements of clauses 3 and 4 are tested by measuring, visual inspection or practical test.

Execute the test after conditioning the goal for a minimum of 3 h at a test temperature of  $(23 \pm 2) ^\circ\text{C}$ .

### 5.2 Determination of stability

Install the goal in its normal position of use. Apply a horizontal force ( $F$ ) of 1 100 N at the top of the centre of the crossbar for  $1 \text{ min } +^{10}_0 \text{ s}$  by means of a rope of 3 000 mm length (see figure 2). Note any falling over or sliding.

## 6 Assembly instructions

The manufacturer shall provide written instructions for assembly and installation.

It shall be pointed out in the assembly instructions that any goals that are not being used at the moment should be secured against overturning.

**iTeh STANDARD PREVIEW**  
**(standards.iteh.ai)**

SIST EN 750:1996

<https://standards.iteh.ai/catalog/standards/sist/481486b4-3caf-400f-9af2-fee6b52c74db/sist-en-750-1996>