



Designation: D5564 – 95 (Reapproved 2006)

Standard Test Method for Determination of the Total Ammonia Contained in Sulfonated or Sulfated Oils¹

This standard is issued under the fixed designation D5564; the number immediately following the designation indicates the year of original adoption or, in the case of revision, the year of last revision. A number in parentheses indicates the year of last reapproval. A superscript epsilon (ϵ) indicates an editorial change since the last revision or reapproval.

1. Scope

1.1 This test method covers determination of the total ammonia contained in sulfonated or sulfated oils.

1.2 The values stated in SI units are to be regarded as the standard.

1.3 *This standard does not purport to address all of the safety concerns, if any, associated with its use. It is the responsibility of the user of this standard to establish appropriate safety and health practices and determine the applicability of regulatory limitations prior to use.*

2. Referenced Documents

2.1 *ASTM Standards:*²

D5350 Test Method for Determination of Organically Combined Sulfuric Anhydride by Titration, Test Method A

3. Significance and Use

3.1 This test method of analysis is intended to determine the total ammonia in a sample of sulfonated or sulfated oil, or both, by boiling a water solution of the sample with excess alkali and determining by titration the loss in alkali after the boiling.

4. Apparatus

4.1 The apparatus required consists of a glass flask provided with a glass stopper and an air condenser. The connection between the flask and the condenser shall be a ground joint. Perforated glass beads shall be used to prevent bumping.

4.1.1 *Flask*—An Erlenmeyer flask (Fig. 1) made of a borosilicate glass, having a capacity of approximately 300 mL and provided with a glass stopper.

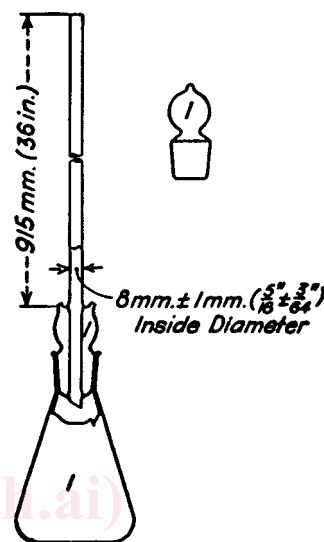


FIG. 1 Apparatus for Determination of Organically Combined Sulfuric Anhydride, Method A

4.1.2 *Condenser*, consisting of a glass tube, 915 mm (36 in.) in length and 8 mm ($\frac{5}{16}$ in.) in outside diameter. The lower end of the tube shall be flared and ground to fit the mouth of the Erlenmeyer flask.

4.1.3 *Glass Beads*—Perforated glass beads, made of chemically resistant glass, approximately 4 mm ($\frac{5}{32}$ in.) in diameter. Before using, the glass beads shall be boiled thoroughly in several portions of water or until the wash water reacts neutral to a methyl orange indicator.

5. Reagents

5.1 *Ethyl Ether*.

5.2 *Methyl Orange Indicator Solution (1 g/L)*—Dissolve 0.1 g of methyl orange in 100 mL of water.

5.3 *Sodium Chloride (NaCl)*, solid.

5.4 *Sodium Hydroxide, Standard Solution (1 N)*—Accurately prepare and standardize a 1 N sodium hydroxide (NaOH) solution. Express the strength or concentration of the solution as mg of KOH per mL; 1 mL of 1 N NaOH solution is equivalent to 56.1 mg of KOH.

¹ This test method is under the jurisdiction of ASTM Committee D31 on Leather and is the direct responsibility of Subcommittee D31.08 on Fats and Oils. This test method was developed in cooperation with the American Leather Chemists Assn. (Method H 49-1957).

Current edition approved April 1, 2006. Published April 2006. Originally approved in 1994. Last previous edition approved in 2001 as D5564 – 95(2001). DOI: 10.1520/D5564-95R06.

² For referenced ASTM standards, visit the ASTM website, www.astm.org, or contact ASTM Customer Service at service@astm.org. For *Annual Book of ASTM Standards* volume information, refer to the standard's Document Summary page on the ASTM website.