



SLOVENSKI STANDARD

SIST EN 567:1998

01-september-1998

Gorniška oprema - Prižeme - Varnostne zahteve in preskusne metode

Mountaineering equipment - Rope clamps - Safety requirements and test methods

Bergsteigerausrüstung - Seilklemmen - Sicherheitstechnische Anforderungen und Prüfverfahren

Équipement d'alpinisme et d'escalade - Bloqueurs - Exigences de sécurité et méthodes d'essai

ITeH STANDARD PREVIEW
(standards.iteh.ai)

Ta slovenski standard je istoveten z: **SIST EN 567:1998** **EN 567:1997**

<https://standards.iteh.ai/catalog/standards/sist/1917ac59-aca1-4f01-b8f3-28bcab117706/sist-en-567-1998>

ICS:

97.220.40	Oprema za športe na prostem in vodne športe	Outdoor and water sports equipment
-----------	---	------------------------------------

SIST EN 567:1998

en

iTeh STANDARD PREVIEW
(standards.iteh.ai)

SIST EN 567:1998

<https://standards.iteh.ai/catalog/standards/sist/f917ac59-aca1-4f01-b8f3-28bcab117706/sist-en-567-1998>

ICS 97.220.40

Supersedes EN 567:1992

Descriptors: sport equipment, mountaineering, rope clamp, mountaineering ropes, safety, specifications, tests, inspection, marking

English version

Mountaineering equipment - Rope clamps - Safety requirements and test methods

Equipement d'alpinisme et d'escalade -
Bloqueurs - Exigences de sécurité et méthodes
d'essai

Bergsteigerausrüstung - Seilklemmen -
Sicherheitstechnische Anforderungen und
Prüfverfahren

This European Standard was approved by CEN on 1997-01-27. CEN members are bound to comply with the CEN/CENELEC Internal Regulations which stipulate the conditions for giving this European Standard the status of a national standard without any alteration.

Up-to-date lists and bibliographical references concerning such national standards may be obtained on application to the Central Secretariat or to any CEN member.

The European Standards exist in three official versions (English, French, German). A version in any other language made by translation under the responsibility of a CEN member into its own language and notified to the Central Secretariat has the same status as the official versions.

CEN members are the national standards bodies of Austria, Belgium, Denmark, Finland, France, Germany, Greece, Iceland, Ireland, Italy, Luxembourg, Netherlands, Norway, Portugal, Spain, Sweden, Switzerland and United Kingdom.

[SIST EN 567:1998](https://standards.iteh.ai/catalog/standards/sist/en-567-1998)

<https://standards.iteh.ai/catalog/standards/sist/en-59-aca1-4f01-b8f3-28bcab117706/sist-en-567-1998>

European Committee for Standardization
Comité Européen de Normalisation
Europäisches Komitee für Normung

Central Secretariat: rue de Stassart, 36 B-1050 Brussels

Foreword

This European Standard has been prepared by Technical Committee CEN/TC 136 "Sports, playground and other recreational equipment", the secretariat of which is held by DIN.

This European Standard supersedes EN 567:1992.

The text is based on UIAA-Standard L (Union Internationale des Associations d'Alpinisme), which has been developed with international participation.

This standard is one of a package of standards for mountaineering equipment, see annex A.

This European Standard has been prepared under a mandat given to CEN by the European Commission and the European Free Trade Association, and supports essential requirements of EU Directive 89/686/EEC.

For relationship with EU Directive(s), see informative Annex ZA, which is an integral part of this standard.

Annexes A and ZA of this European Standard are informative.

This European Standard shall be given the status of a national standard, either by publication of an identical text or by endorsement, at the latest by August 1997, and conflicting national standards shall be withdrawn at the latest by August 1997.

According to the CEN/CENELEC Internal Regulations, the national standards organizations of the following countries are bound to implement this European Standard: Austria, Belgium, Denmark, Finland, France, Germany, Greece, Iceland, Ireland, Italy, Luxembourg, Netherlands, Norway, Portugal, Spain, Sweden, Switzerland and the United Kingdom.

iTeh STANDARD PREVIEW
(standards.iteh.ai)

SIST EN 567:1998

<https://standards.iteh.ai/catalog/standards/sist/f917ac59-aca1-4f01-b8f3-28bcab117706/sist-en-567-1998>

1 Scope

This European Standard specifies safety requirements and test methods for rope clamps for use in mountaineering including climbing.

2 Normative references

This European Standard incorporates by dated or undated reference, provisions from other publications. These normative references are cited at the appropriate places in the text and the publications are listed hereafter. For dated references, subsequent amendments to or revisions of any of these publications apply to this European Standard only when incorporated in it by amendment or revision. For undated references, the latest edition of the publication referred to applies.

EN 564

Mountaineering equipment – Accessory cords – Safety requirements and test methods

EN 892

Mountaineering equipment – Dynamic mountaineering ropes – Safety requirements and test methods

3 Definitions

For the purposes of this standard, the following definitions apply:

3.1 rope clamp: Mechanical device which, when attached to a rope or an accessory cord of appropriate diameter, will lock under load in one direction and slip freely in the opposite direction.

3.2 locking mechanism: Mechanism which prevents movement of the rope clamp on the rope or accessory cord in one direction.

3.3 locking device: Device for automatically preventing the rope or accessory cord from slipping out of the rope clamp.

4 Safety requirements

4.1 Design

4.1.1 Rope clamps shall have a locking device or similar mechanism to prevent a single rope or an accessory cord with a diameter within the range marked on the rope clamp (see clause 7) from slipping out of the rope clamp.

4.1.2 Rope clamps shall be designed to lock automatically in one rope or accessory cord direction and to slip freely in the opposite direction.

4.1.3 When tested in accordance with 5.3, rope clamps shall not completely break the rope or accessory cord.

4.1.4 Rope clamps shall have an attachment opening of at least 13 mm. The edges of all openings for handles and connectors or sling attachment shall be as shown in figure 1.

4.1.5 All edges of a rope clamp which can come into contact with the user's fingers shall be free of burrs.

4.2 Strength

4.2.1 When tested in accordance with 5.3, rope clamps with a rope of diameter within the range marked on the rope clamp (see clause 7) attached shall show no visible signs of damage or deformation which can impair its function.

4.2.2 When tested in accordance with 5.3, rope clamps with an accessory cord of diameter within the range marked on the rope clamp (see clause 7) attached shall show no visible signs of damage or deformation which can impair its function.

Dimensions in millimetres

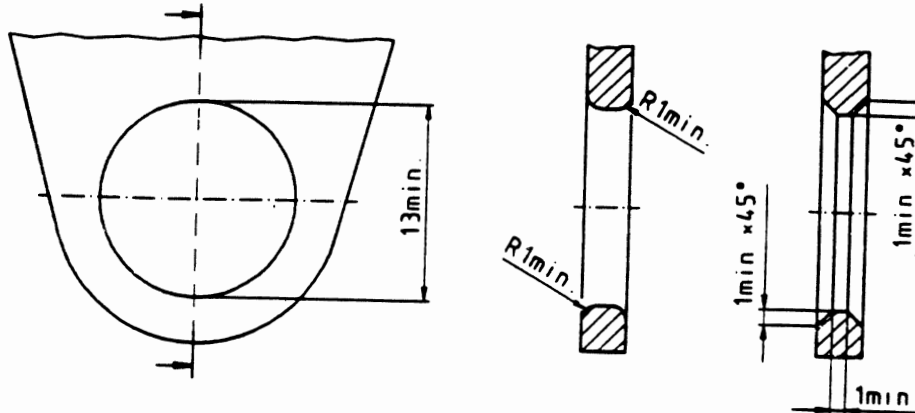


Figure 1: Edges of openings

5 Test methods

5.1 Conditioning

Carry out the tests at a temperature of (23 ± 5) °C.

5.2 Examination of design

5.2.1 With the locking device closed and a rope or accessory cord of maximum diameter, as marked on the rope clamp, check that the rope or accessory cord cannot be removed sideways. Check also, by pulling by hand, that the rope clamp locks in one direction and can slip in the opposite direction. Repeat the checks using a rope or accessory cord of minimum diameter as marked on the rope clamp.

5.2.2 Test by tactile examination that the edges of the rope clamp are free of burrs.

5.2.3 Determine the dimension of the attachment opening (see 4.1.4) by measuring with a bar of $(13^{+0,01}_0)$ mm diameter.

5.3 Determination of strength

Attach a rope in accordance with EN 892 or accessory cord in accordance with prEN 564 of maximum diameter, as marked on the rope clamp, to the rope clamp and a connector in the opening of the rope clamp, as specified by the manufacturer. Fix the system in a tensile testing machine and subject it to a force of $(4 \pm 0,1)$ kN, five times in succession, using a test speed of (100 ± 50) mm/min.

iTeh STANDARD PREVIEW
(standards.iteh.ai)

SIST EN 567:1998
<https://standards.iteh.ai/Catalog/Standards/sist-en-567-1998-ical-401-0813-286ca0117706/sist-en-567-1998>

Move the rope clamp between application of each force, so that the locking force is applied to a previously unloaded point of the rope or accessory cord in each case.

Repeat the procedure using a rope or accessory cord of minimum diameter, as marked on the rope clamp.

Note any visible signs of damage or deformation which can impair its function.

6 Information to be supplied

- a) the name or trademark of the manufacturer, importer or supplier, together with their address;
- b) the number of this European Standard: EN 567;
- c) the meaning of any markings on the product;
- d) the use of the product;
- e) how to insert and extract the rope or accessory cord;
- f) how the locking device works;
- g) where and how to attach to the rope clamp;
- h) how to choose other components for use in the system;
- i) how to maintain and service the product;
- j) the lifespan of the product;
- k) the effects of chemical reagents and temperature on the product.

7 Marking

Rope clamps shall be marked with at least the following information:

- a) the name or trademark of the manufacturer, importer or supplier;
- b) the range of rope or accessory cord diameters, in millimetres, to the nearest whole number, with which the rope clamp can be used. The symbol \varnothing shall be used as a prefix to indicate the diameter, e.g. \varnothing 7 mm to 11 mm.
- c) a pictogram showing the direction of use.

iTeh STANDARD PREVIEW
(standards.iteh.ai)

SIST EN 567:1998

<https://standards.iteh.ai/catalog/standards/sist/f917ac59-aca1-4f01-b8f3-28bcab117706/sist-en-567-1998>

Annex A (informative)

Standards on mountaineering equipment

Table A.1: List of standards on mountaineering equipment

No	Document	Title
1	EN 892	Mountaineering equipment – Dynamic mountaineering ropes – Safety requirements and test methods
2	prEN 12275	Mountaineering equipment – Connectors – Safety requirements and test methods
3	¹⁾	Mountaineering equipment – Ice-tools – Safety requirements and test methods (00136012)
4	prEN 12277	Mountaineering equipment – Harnesses – Safety requirements and test methods
5	¹⁾	Mountaineering equipment – Safety helmets – Safety requirements and test methods (00136076)
6	EN 564	Mountaineering equipment – Accessory cord – Safety requirements and test methods
7	EN 565	Mountaineering equipment – Tape – Safety requirements and test methods
8	EN 566	Mountaineering equipment – Slings – Safety requirements and test methods
9	prEN 12276	Mountaineering equipment – Frictional anchors – Safety requirements and test methods
10	prEN 12270	Mountaineering equipment – Chocks – Safety requirements and test methods
11	EN 567	Mountaineering equipment – Rope clamps – Safety requirements and test methods
12	EN 958	Mountaineering equipment – Energy absorbing systems for use in klettersteig (via ferrata) climbing – Safety requirements and test methods
13	EN 959	Mountaineering equipment – Rock anchors – Safety requirements and test methods
14	EN 568	Mountaineering equipment – Ice anchors – Safety requirements and test methods
15	EN 569	Mountaineering equipment – Pitons – Safety requirements and test methods
16	prEN 893	Mountaineering equipment – Crampons – Safety requirements and test methods
17	¹⁾	Mountaineering equipment – Descenders – Safety requirements and test methods (00136079)
18	prEN 12278	Mountaineering equipment – Pulleys – Safety requirements and test methods
19	prEN 12492	Mountaineering equipment - Climbers safety helmets - Safety requirements and test methods
¹⁾ in preparation		