



SLOVENSKI STANDARD

SIST EN 303 979 V2.1.1:2016

01-september-2016

Satelitske zemeljske postaje in sistemi (SES) - Harmonizirani standard, ki zajema bistvene zahteve člena 3.2 direktive 2014/53/EU, za zemeljske postaje na mobilnih platformah (ESOMP), ki oddajajo proti satelitom v negeostacionarni orbiti in delujejo v frekvenčnih pasovih od 27,5 GHz do 29,1 GHz in od 29,5 GHz do 30,0 GHz

Satellite Earth Stations and Systems (SES) - Harmonised Standard for Earth Stations on Mobile Platforms (ESOMP) transmitting towards satellites in non-geostationary orbit, operating in the 27,5 GHz to 29,1 GHz and 29,5 GHz to 30,0 GHz frequency bands covering the essential requirements of article 3.2 of the Directive 2014/53/EU

[SIST EN 303 979 V2.1.1:2016](https://standards.iteh.ai/catalog/standards/sist/042b1c15-5dc4-428f-8a3c-99daceab2305/sist-en-303-979-v2-1-1-2016)

<https://standards.iteh.ai/catalog/standards/sist/042b1c15-5dc4-428f-8a3c-99daceab2305/sist-en-303-979-v2-1-1-2016>

Ta slovenski standard je istoveten z: ETSI EN 303 979 V2.1.1 (2016-05)

ICS:

33.060.30	Radiorelejni in fiksni satelitski komunikacijski sistemi	Radio relay and fixed satellite communications systems
-----------	--	--

SIST EN 303 979 V2.1.1:2016

en

iTeh STANDARD PREVIEW
(standards.iteh.ai)

SIST EN 303 979 V2.1.1:2016

<https://standards.iteh.ai/catalog/standards/sist/042b1c15-5dc4-428f-8a3c-99daeeab2305/sist-en-303-979-v2-1-1-2016>

ETSI EN 303 979 V2.1.1 (2016-05)



**Satellite Earth Stations and Systems (SES);
Harmonised Standard for Earth Stations on Mobile Platforms
(ESOMP) transmitting (towards satellite) in non-geostationary
orbit, operating in the 27,5 GHz to 29,1 GHz and
29,5 GHz to 30,0 GHz frequency bands covering the essential
requirements of article 3.2 of the Directive 2014/53/EU**

Reference

REN/SES-00400

Keywordsantenna, earth station, mobile, non-GSO,
regulation, satellite**ETSI**650 Route des Lucioles
F-06921 Sophia Antipolis Cedex - FRANCE

Tel.: +33 4 92 94 42 00 Fax: +33 4 93 65 47 16

Siret N° 348 623 562 00017 - NAF 742 C
Association à but non lucratif enregistrée à la
Sous-Préfecture de Grasse (06) N° 7803/88**iTeh STANDARD PREVIEW**
(standards.iteh.ai)SIST EN 303 979 V2.1.1:2016<https://standards.iteh.ai/catalog/standards/sist/042b1c15-5dc4-428f-8a3c-99daceab2417/sist-en-303-979-v2-1-1-2016>**Important notice**

The present document can be downloaded from:

<http://www.etsi.org/standards-search>

The present document may be made available in electronic versions and/or in print. The content of any electronic and/or print versions of the present document shall not be modified without the prior written authorization of ETSI. In case of any existing or perceived difference in contents between such versions and/or in print, the only prevailing document is the print of the Portable Document Format (PDF) version kept on a specific network drive within ETSI Secretariat.

Users of the present document should be aware that the document may be subject to revision or change of status. Information on the current status of this and other ETSI documents is available at

<https://portal.etsi.org/TB/ETSIDeliverableStatus.aspx>

If you find errors in the present document, please send your comment to one of the following services:

<https://portal.etsi.org/People/CommiteeSupportStaff.aspx>

Copyright Notification

No part may be reproduced or utilized in any form or by any means, electronic or mechanical, including photocopying and microfilm except as authorized by written permission of ETSI.

The content of the PDF version shall not be modified without the written authorization of ETSI.

The copyright and the foregoing restriction extend to reproduction in all media.

© European Telecommunications Standards Institute 2016.

All rights reserved.

DECT™, **PLUGTESTS™**, **UMTS™** and the ETSI logo are Trade Marks of ETSI registered for the benefit of its Members. **3GPP™** and **LTE™** are Trade Marks of ETSI registered for the benefit of its Members and of the 3GPP Organizational Partners.

GSM® and the GSM logo are Trade Marks registered and owned by the GSM Association.

Contents

Intellectual Property Rights	7
Foreword.....	7
Modal verbs terminology.....	7
Introduction	7
1 Scope	9
2 References	10
2.1 Normative references	10
2.2 Informative references.....	11
3 Definitions, symbols and abbreviations	11
3.1 Definitions	11
3.2 Symbols.....	13
3.3 Abbreviations	13
4 Technical requirements specifications	14
4.1 General	14
4.1.1 Environmental profile	14
4.1.2 Operational configurations	14
4.1.3 Determination of geographic location of the ESOMP	15
4.1.4 EIRP _{Aggregate} for networks of ESOMPs.....	15
4.1.5 Presentation of equipment for testing purposes	15
4.1.6 Choice of model for testing	15
4.1.7 Mechanical and electrical design	15
4.1.7.1 General	15
4.1.7.2 Marking (equipment identification)	15
4.1.7.3 Equipment identification	16
4.2 Conformance requirements	16
4.2.1 Off-axis spurious radiation	16
4.2.1.1 Justification	16
4.2.1.2 Specification.....	16
4.2.1.3 Conformance tests.....	17
4.2.2 On-axis spurious radiation	17
4.2.2.1 Justification	17
4.2.2.2 Specification.....	17
4.2.2.2.1 "Carrier-on" radio state.....	17
4.2.2.2.2 "Carrier-off" and "Emissions disabled" radio states	18
4.2.2.3 Conformance tests	18
4.2.3 e _{pf} d Limits	18
4.2.3.1 Justification	18
4.2.3.2 Specification.....	18
4.2.3.3 Conformance tests.....	18
4.2.4 Uplink Power Control Specification	18
4.2.5 Carrier suppression	18
4.2.5.1 Justification	18
4.2.5.2 Specification.....	18
4.2.5.3 Conformance tests.....	18
4.2.6 Antenna pointing and polarization alignment	19
4.2.6.1 Antenna pointing accuracy.....	19
4.2.6.1.1 Purpose	19
4.2.6.1.2 Pointing accuracy specification	19
4.2.6.1.3 On-axis cross polarization isolation specification	19
4.2.6.1.4 Conformance tests	19
4.2.6.2 Antenna Pointing Error Detection.....	19
4.2.6.2.1 Purpose	19
4.2.6.2.2 Pointing error detection specification	19
4.2.6.2.3 Polarization angle alignment specification	20

4.2.6.2.4	Conformance tests	20
4.2.7	Cessation of emissions.....	20
4.2.7.1	Justification	20
4.2.7.2	Specification.....	20
4.2.7.2.1	Specification 1: Mode of cessation of emissions	20
4.2.7.2.2	Specification 2: Conditions under which the ESOMP shall cease emissions	21
4.2.7.2.3	Specification 3: Cessation of emissions	21
4.2.7.2.4	Specification 4: Fault conditions	21
4.2.7.3	Conformance tests	21
4.2.8	Identification of the ESOMP	21
4.2.8.1	Justification	21
4.2.8.2	Specification.....	22
4.2.8.3	Conformance tests.....	22
4.2.9	Control and Monitoring Functions (CMFs).....	22
4.2.9.1	ESOMP States.....	22
4.2.9.1.1	General	22
4.2.9.1.2	CMF state diagram	23
4.2.9.2	Processor monitoring	24
4.2.9.2.1	Justification	24
4.2.9.2.2	Specification	24
4.2.9.2.3	Conformance tests	24
4.2.9.3	Transmit subsystem monitoring.....	25
4.2.9.3.1	Justification	25
4.2.9.3.2	Specification	25
4.2.9.3.3	Conformance tests	25
4.2.9.4	Power-on/Reset	25
4.2.9.4.1	Justification	25
4.2.9.4.2	Specification	25
4.2.9.4.3	Conformance tests	25
4.2.9.5	Control Channel (CC) and Response Channel (RC)	25
4.2.9.5.1	Justification	25
4.2.9.5.2	Specification	25
4.2.9.5.3	Conformance tests	26
4.2.9.6	Network control commands	26
4.2.9.6.1	Justification	26
4.2.9.6.2	Specification	26
4.2.9.6.3	Conformance tests	27
4.2.9.7	Initial burst transmission	27
4.2.9.7.1	Justification	27
4.2.9.7.2	Specification	27
4.2.9.7.3	Conformance tests	27
4.2.9.8	Inhibition of transmissions	27
4.2.9.8.1	Justification	27
4.2.9.8.2	Specification	27
4.2.9.8.3	Conformance tests	27
4.2.10	Receive antenna off-axis gain pattern	28
4.2.10.1	Justification	28
4.2.10.2	Specification.....	28
4.2.10.3	Conformance tests.....	28
4.2.11	Blocking performance.....	28
4.2.11.1	Justification	28
4.2.11.2	Specification.....	28
4.2.11.3	Conformance tests.....	29
4.2.12	Adjacent Signal Selectivity.....	29
4.2.12.1	Justification	29
4.2.12.2	Specification.....	29
4.2.12.3	Conformance tests.....	29
5	Testing for compliance with technical requirements.....	29
5.1	Environmental conditions for testing	29
5.2	Essential radio test suites.....	29

6	Test methods for all aspects of the ESOMP	30
6.1	General	30
6.1.1	General requirements	30
6.1.2	Interpretation of measurement results	30
6.1.3	Measuring receiver	31
6.2	Off-axis spurious radiation	32
6.2.1	General	32
6.2.2	Test method	32
6.2.2.1	General	32
6.2.2.2	Multi-carrier operation	32
6.2.3	Measurements up to 1 000 MHz	33
6.2.3.1	Test site	33
6.2.3.2	Measuring receivers	33
6.2.3.3	Procedure	33
6.2.4	Measurements above 1 000 MHz	33
6.2.4.1	General	33
6.2.4.2	Identification of the significant frequencies of spurious radiation	34
6.2.4.2.1	Test site	34
6.2.4.2.2	Procedure	34
6.2.4.3	Measurement of radiated power levels of identified spurious radiation	34
6.2.4.3.1	Test site	34
6.2.4.3.2	Procedure	34
6.2.4.4	Measurement of conducted spurious radiation at the antenna flange	35
6.2.4.4.1	Test site	35
6.2.4.4.2	Procedure	36
6.3	On-axis spurious radiation	36
6.3.1	Test method	36
6.3.1.1	General	36
6.3.1.2	Test site	36
6.3.1.3	Method of measurement	36
6.3.1.3.1	General	36
6.3.1.3.2	Method of measurement at the antenna flange	37
6.3.1.3.3	Method of measurement for an EUT with antenna	39
6.4	epfd limits	40
6.5	Carrier suppression	40
6.5.1	Test method	40
6.6	Antenna pointing	40
6.6.1	General	40
6.6.2	Test method	40
6.7	Polarization angle alignment capability	40
6.7.1	General	40
6.7.2	Test method	40
6.8	Cessation of emissions of the ESOMP	41
6.8.1	General	41
6.8.2	Test Method	41
6.8.2.1	Required documentation	41
6.8.2.2	Cessation of emissions from the "Transmission enabled" state	41
6.8.2.3	Cessation of emission from the "Transmission disabled" state	41
6.8.2.4	Cessation of emission from the "Initial Phase" state	42
6.8.2.4.1	EUTs transmitting initial bursts	42
6.8.2.4.2	EUTs not transmitting initial bursts	42
6.8.2.5	"Single action" means of cessation of emissions	42
6.8.2.6	Fault conditions	43
6.9	Identification of ESOMP	43
6.9.1	Test arrangement	43
6.9.2	Test method	43
6.10	Control and monitoring functions	44
6.10.1	General	44
6.10.2	Test arrangement	44
6.10.3	Processor monitoring- Test method	44
6.10.4	Transmit subsystem monitoring-Test method	44
6.10.5	Power-on/Reset-Test method	44

6.10.6	Control Channel and Response Channel -Test method.....	45
6.10.7	Network Control commands-Test method.....	46
6.10.8	Initial burst transmission-Test method.....	47
6.10.9	Inhibition of transmission-Test method.....	47
6.11	Receive antenna off-axis gain pattern.....	47
6.11.1	Test method.....	47
6.11.1.1	Test site.....	47
6.11.1.2	Method of measurement.....	48
6.11.1.3	Computation.....	48
6.12	Blocking performance.....	48
6.12.1	Test method.....	48
6.13	Adjacent Signal Selectivity.....	49
6.13.1	Test method.....	49
Annex A (normative):	Relationship between the present document and the essential requirements of Directive 2014/53/EU.....	50
Annex B (informative):	Linear Polarization Alignment Error Calculation.....	52
Annex C (normative):	Radiated measurement.....	53
C.1	Test sites and general arrangements for measurements involving the use of radiated fields.....	53
C.1.1	General.....	53
C.1.2	Anechoic Chamber.....	53
C.1.3	Anechoic Chamber with a conductive ground plane.....	54
C.1.4	Open Area Test Site (OATS).....	55
C.1.5	Minimum requirements for test sites for measurements above 18 GHz.....	56
C.1.6	Test antenna.....	56
C.1.7	Substitution antenna.....	57
C.1.8	Measuring antenna.....	57
C.2	Guidance on the use of radiation test sites.....	57
C.2.1	General.....	57
C.2.2	Verification of the test site.....	57
C.2.3	Preparation of the EUT.....	57
C.2.4	Power supplies to the EUT.....	57
C.2.5	Range length.....	58
C.2.6	Site preparation.....	58
C.3	Coupling of signals.....	59
C.3.1	General.....	59
C.4	Standard test methods.....	59
C.4.1	General.....	59
C.4.2	Calibrated setup.....	59
C.4.3	Substitution method.....	59
Annex D (normative):	Conducted measurements.....	61
Annex E (informative):	General Requirements for RF Cables.....	62
Annex F (informative):	RF Waveguides.....	63
Annex G (informative):	Bibliography.....	64
History.....		65

Intellectual Property Rights

IPRs essential or potentially essential to the present document may have been declared to ETSI. The information pertaining to these essential IPRs, if any, is publicly available for **ETSI members and non-members**, and can be found in ETSI SR 000 314: "*Intellectual Property Rights (IPRs); Essential, or potentially Essential, IPRs notified to ETSI in respect of ETSI standards*", which is available from the ETSI Secretariat. Latest updates are available on the ETSI Web server (<https://ipr.etsi.org>).

Pursuant to the ETSI IPR Policy, no investigation, including IPR searches, has been carried out by ETSI. No guarantee can be given as to the existence of other IPRs not referenced in ETSI SR 000 314 (or the updates on the ETSI Web server) which are, or may be, or may become, essential to the present document.

Foreword

This Harmonised European Standard (EN) has been produced by ETSI Technical Committee Satellite Earth Stations and Systems (SES).

The present document has been prepared under the Commission's standardisation request C(2015) 5376 final [i.6] to provide one voluntary means of conforming to the essential requirements of Directive 2014/53/EU on the harmonisation of the laws of the Member States relating to the making available on the market of radio equipment and repealing Directive 1999/5/EC [6].

Once the present document is cited in the Official Journal of the European Union under that Directive, compliance with the normative clauses of the present document given in table A.1 confers, within the limits of the scope of the present document, a presumption of conformity with the corresponding essential requirements of that Directive, and associated EFTA regulations.

iTeh STANDARD PREVIEW
(standards.iteh.ai)

National transposition dates

Date of adoption of this EN:	SIST EN 303 979 V2.1.1:2016	12 May 2016
Date of latest announcement of this EN (doa):	https://standards.iteh.ai/catalog/standards/sist/042b1c15-5dc4-428f-8a3c-b2305/sist-en-303-979-v2-1-1-2016	31 August 2016
Date of latest publication of new National Standard or endorsement of this EN (dop/e):		28 February 2017
Date of withdrawal of any conflicting National Standard (dow):		28 February 2018

Modal verbs terminology

In the present document "**shall**", "**shall not**", "**should**", "**should not**", "**may**", "**need not**", "**will**", "**will not**", "**can**" and "**cannot**" are to be interpreted as described in clause 3.2 of the [ETSI Drafting Rules](#) (Verbal forms for the expression of provisions).

"**must**" and "**must not**" are **NOT** allowed in ETSI deliverables except when used in direct citation.

Introduction

The present document is part of a set of standards developed by ETSI and is designed to fit in a modular structure to cover all radio equipment within the scope of the Directive 2014/53/EU [6]. The modular structure is shown in ETSI EG 201 399 [i.2].

The present document is largely based on ETSI EN 303 978 [i.5], for ESOMPs operating with GSO satellites.

The present document may also be applicable to the frequency bands 30,0 GHz to 31,0 GHz (Earth-to-space) and 20,2 GHz to 21,2 GHz (space-to-Earth) subject to national regulation.

Annex A (normative) provides HS Requirements specifications.

Annex B (informative) provides information on Linear Polarization Alignment Error Calculation.

Annex C (normative) provides specifications concerning radiated measurements.

Annex D (normative) provides specifications concerning conducted measurements.

Annex E (informative) provides general information concerning RF cables.

Annex F (informative) provides information concerning RF waveguides.

Annex G (informative) covers other supplementary information.

iTeh STANDARD PREVIEW **(standards.iteh.ai)**

[SIST EN 303 979 V2.1.1:2016](https://standards.iteh.ai/catalog/standards/sist/042b1c15-5dc4-428f-8a3c-99daeeab2305/sist-en-303-979-v2-1-1-2016)

<https://standards.iteh.ai/catalog/standards/sist/042b1c15-5dc4-428f-8a3c-99daeeab2305/sist-en-303-979-v2-1-1-2016>

1 Scope

The present document applies to Earth Stations on Mobile Platforms (ESOMP), which have the following characteristics.

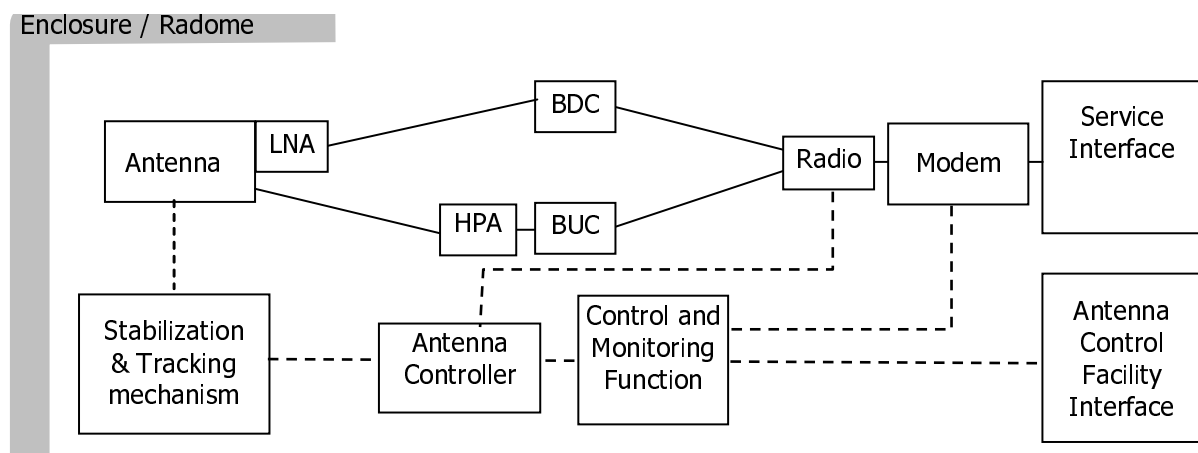


Figure 1: ESOMP System Overview

- The ESOMP is designed for both mobile and stationary operation.
- The ESOMP operates on various mobile platforms such as trains, maritime vessels, aircraft and other vehicles and, therefore, may be subject to occasional disturbances and interruptions in the satellite link.
- The ESOMP is operating as part of a satellite network (e.g. star, mesh or point-to-point) used for the distribution and/or exchange of information.
- The ESOMP is comprised of all the equipment, electrical and mechanical, from the antenna itself to the interface with other communications equipment on a mobile platform (usually referred to as the terrestrial interface).
- The ESOMP comprises of one or more emitters and the system overview given in figure 1 should be interpreted accordingly.
- The transmit and receive frequencies are shown in table 1.

Table 1: Frequency bands

	Frequency Bands/frequencies
Transmit (Earth-to-space)	27,5 GHz to 29,1 GHz and 29,5 GHz to 30,0 GHz
Receive (space-to-Earth)	17,30 GHz to 20,20 GHz

- The ESOMP transmits within the frequency range from 27,5 GHz to 29,1 GHz and 29,5 GHz to 30,0 GHz, which is a band allocated to the Fixed Satellite Services (FSS) (Earth-to-space) among other services. National regulations will specify the bands available for the operation of the ESOMP. Such regulations may designate some parts of the frequency range 27,5 GHz to 29,1 GHz to terrestrial services such as the Fixed Service. However, the operation of the ESOMP may be permitted under national regulations in the 29,50 GHz to 30,00 GHz band since this band is allocated on a primary basis to the Fixed Satellite Service.
- The ESOMP receives in one or more frequencies within the range from 17,30 GHz to 20,20 GHz (FSS).
- The ESOMP uses linear or circular polarization.
- The ESOMP operates through non-geostationary satellites.
- The ESOMP is designed for unattended operation.

- The ESOMP is controlled and monitored by a Network Control Facility (NCF). This function may be performed centrally (e.g. for a network of ESOMPs with a central hub) or it could be performed within the ESOMP for autonomous control. The NCF is outside the scope of the present document.
- The ESOMP operating in the 27,5 GHz to 28,6 GHz and 29,5 GHz to 30 GHz bands: epfd limits given in article 22 of the ITU Radio Regulations [i.4] apply for the ESOMPs operating with the NGSO system for the protection of the GSO networks (see No 22.5D of the ITU RR [i.4]).
- ESOMP operating in the 28,6 GHz to 29,1 GHz band: No 9.11A of the ITU RR [i.4] applies to the NGSO network of the ESOMP, meaning that the NGSO will be required to coordinate with earlier filed GSO networks or NGSO systems (See No. 5.523A of the ITU RR [i.4]).

The present document applies to the ESOMP with its ancillary equipment and its various telecommunication ports, and when operated within the boundary limits of the operational environmental profile as declared by the applicant and when installed as required by the applicant's declaration or in the user documentation.

The present document is intended to cover the provisions of Directive 2014/53/EU [6] (RE Directive) article 3.2, which states that "... radio equipment shall be so constructed that it both effectively uses and supports the efficient use of radio spectrum in order to avoid harmful interference".

NOTE 1: Operational requirements are defined by national administrations and by relevant ECC Decisions.

In addition to the present document, other ENs that specify technical requirements in respect of essential requirements under other parts of article 3 of the Directive 2014/53/EU [6] may apply to equipment within the scope of the present document.

NOTE 2: A list of such ENs is included on the web site <http://www.newapproach.org/>.

2 References

2.1 Normative references

References are either specific (identified by date of publication and/or edition number or version number) or non-specific. For specific references, only the cited version applies. For non-specific references, the latest version of the referenced document (including any amendments) applies.

Referenced documents which are not found to be publicly available in the expected location might be found at <http://docbox.etsi.org/Reference>.

NOTE: While any hyperlinks included in this clause were valid at the time of publication, ETSI cannot guarantee their long term validity.

The following referenced documents are necessary for the application of the present document.

- [1] ETSI TR 100 028 (all parts) (V1.4.1) (12-2001): "Electromagnetic compatibility and Radio spectrum Matters (ERM); Uncertainties in the measurement of mobile radio equipment characteristics".
- [2] ETSI TR 102 273 (all parts) (V1.2.1) (12-2001): "Electromagnetic compatibility and Radio spectrum Matters (ERM); Improvement on Radiated Methods of Measurement (using test site) and evaluation of the corresponding measurement uncertainties".
- [3] ANSI C63.5 (2006): "American National Standard for Calibration of Antennas Used for Radiated Emission Measurements in Electro Magnetic Interference".
- [4] CISPR 16-1-1 Ed.3.0 (2010): "Specification for radio disturbance and immunity measuring apparatus and methods - Part 1-1: Radio disturbance and immunity measuring apparatus - Measuring apparatus".
- [5] CISPR 16-1-4 Ed.3.0 (2010): "Specification for radio disturbance and immunity measuring apparatus and methods - Part 1-4: Radio disturbance and immunity measuring apparatus - Antennas and test sites for radiated disturbance measurements".

- [6] Directive 2014/53/EU of the European Parliament and of the Council of 16 April 2014 on the harmonisation of the laws of the Member States relating to the making available on the market of radio equipment and repealing Directive 1999/5/EC (RE Directive).

2.2 Informative references

References are either specific (identified by date of publication and/or edition number or version number) or non-specific. For specific references, only the cited version applies. For non-specific references, the latest version of the referenced document (including any amendments) applies.

NOTE: While any hyperlinks included in this clause were valid at the time of publication, ETSI cannot guarantee their long term validity.

The following referenced documents are not necessary for the application of the present document but they assist the user with regard to a particular subject area.

- [i.1] Void.
- [i.2] ETSI EG 201 399: "Electromagnetic compatibility and Radio spectrum Matters (ERM); A guide to the production of Harmonized Standards for application under the Radio & Telecommunication Terminal Equipment Directive 1999/5/EC (R&TTE) and a first guide on the impact of the Radio Equipment Directive 2014/53/EU (RED) on Harmonized Standards".
- [i.3] ETSI TS 103 052: "Electromagnetic compatibility and Radio spectrum Matters (ERM); Radiated measurement methods and general arrangements for test sites up to 100 GHz".
- [i.4] ITU Radio Regulations (edition 2012).
- [i.5] ETSI EN 303 978 (V2.1.1): "Satellite Earth Stations and Systems (SES); Harmonised Standard for Earth Stations on Mobile Platforms (ESOMP) transmitting towards satellites in geostationary orbit in the 27,5 GHz to 30,0 GHz frequency bands covering the essential requirements of article 3.2 of the Directive 2014/53/EU".
- [i.6] Commission Implementing Decision C(2015) 5376 final of 4.8.2015 on a standardisation request to the European Committee for Electrotechnical Standardisation and to the European Telecommunications Standards Institute as regards radio equipment in support of Directive 2014/53/EU of the European Parliament and of the Council.
- [i.7] IEC 153 (all parts): "Hollow metallic waveguides".

3 Definitions, symbols and abbreviations

3.1 Definitions

For the purposes of the present document, the terms and definitions given in Directive 2014/53/EU [6] and the following apply:

ancillary equipment: equipment used in connection with an ESOMP

NOTE: Equipment is considered as ancillary if the three following conditions are met:

- the equipment is intended for use in conjunction with the ESOMP to provide additional operational and/or control features (e.g. to extend control to another position or location); and
- the equipment cannot be used on a stand alone basis, to provide user functions independently of the ESOMP; and
- the absence of the equipment does not inhibit the operation of the ESOMP.

antenna controller: equipment used to maintain antenna stabilization and tracking accuracy based on inputs from the Control and Monitoring Function

applicant: manufacturer or his authorized representative within the European Community or the person responsible for placing the apparatus on the market

carrier-off radio state: radio state in which the ESOMP may transmit and does not transmit any carrier

NOTE 1: The phrase "the ESOMP may transmit" means that all the conditions for transmission are satisfied (e.g. in a state where transmissions are permitted, no failure detected, and the ESOMP is correctly pointed towards the satellite).

NOTE 2: The existence of a "Carrier-off" radio state depends on the system of transmission used. For ESOMPs designed for continuous transmission mode there may be no "Carrier-off" state.

carrier-on radio state: radio state in which the ESOMP may transmit and transmits a carrier

Control Channel (CC): channel or channels by which ESOMPs receive control information from the NCF

EIRP_{Aggregate}: sum of the EIRP (Watts) within the nominated bandwidth of the ESOMP network

EIRP_{max}: maximum EIRP capability of the ESOMP as declared by the applicant

emissions disabled radio state: radio state in which the ESOMP is not emitting

NOTE: Examples of cases where the ESOMP is in this radio state: before system monitoring pass, before the control channel is received, when a failure is detected, when an ESOMP is commanded to disable, and when the ESOMP is in a location requiring cessation of emissions.

equivalent power flux density: as defined in the ITU Radio Regulations footnote 22.5C.1 [i.4], the sum of the power flux-densities produced at a geostationary-satellite system receive station on the Earth's surface or in the geostationary orbit, as appropriate, by all the transmit stations within a non-geostationary-satellite system, taking into account the off-axis discrimination of a reference receiving antenna assumed to be pointing in its nominal direction

external control channel: control channel which is either:

- (i) carried by the ESOMP network via the same or another satellite, but not within the internal protocol of the ESOMP system; or
- (ii) carried by any other radio communication system

external response channel: response channel which is either:

- (i) carried by the ESOMP network via the same or another satellite, but not within the internal protocol of the ESOMP system; or
- (ii) carried by any other radio communication system

integral antenna: antenna which may not be removed during the tests according to the applicant's statement

internal control channel: control channel which is carried by the ESOMP network via the same satellite as used for transmission of user data and within the internal protocol structure of the ESOMP system

internal response channel: response channel which is carried by the ESOMP network via the same satellite as used for transmission of user data and within the internal protocol structure of the ESOMP system

mobile platform: any non-stationary platform such as a train, a vessel, an aircraft or other vehicles

Network Control Facility (NCF): set of functional entities that, at system level, monitor and control the correct operation of the ESOMP and, if appropriate, all of the ESOMPs in a network

nominal antenna diameter: antenna diameter declared by the manufacturer that is a parameter in performance characteristics and that allows reference to a certain performance

NOTE: An antenna with circular aperture of diameter equal to the nominal diameter does typically have the performance specified.

Network operators might request antennas of a certain diameter. Then an antenna that is compliant with the requirement for nominal antenna diameter equal to the requested antenna diameter can be used. Manufacturers can mark their equipment with antenna diameters used in the requirements during compliance test

nominated bandwidth: bandwidth of the ESOMP radio frequency transmission nominated by the applicant

NOTE 1: The nominated bandwidth is centred on the transmit frequency and does not exceed 5 times the occupied bandwidth.

NOTE 2: The nominated bandwidth is wide enough to encompass all spectral elements of the transmission which have a level greater than the specified spurious radiation limits. The nominated bandwidth is wide enough to take account of the transmit carrier frequency stability. This definition is chosen to allow flexibility regarding adjacent channel interference levels which will be taken into account by operational procedures depending on the exact transponder carrier assignment situation.

off-axis angle: angle between the direction of the axis of the antenna main beam and the considered direction

removable antenna: antenna which may be removed during the tests according to the applicant's statement

Response Channel (RC): channel by which ESOMP transmit monitoring information to the NCF

spurious radiation: any radiation outside the nominated bandwidth

transmission disabled state: radio state in which the ESOMP is not authorized to transmit by the NCF

transmission enabled state: radio state in which the ESOMP is authorized to transmit by the NCF

Wanted signal occupied bandwidth (BW):

- for a digital modulation scheme: the width of the signal spectrum 10 dB below the maximum in-band density;
- for an analogue modulation scheme: the width of a frequency band such that, below the lower and above the upper frequency limits, the mean power emitted is equal to 0,5 % of the total mean power of the emission

3.2 Symbols

(standards.iteh.ai)

For the purposes of the present document, the following symbols apply:

dBc	ratio expressed in decibels relative to the EIRP of the unmodulated carrier
dB _i	ratio of an antenna gain to the gain of an isotropic antenna, expressed in decibels
dBsd	ratio expressed in decibels relative to the spectral density
dBW	ratio of a power to 1 watt, expressed in decibels
dBpW	ratio of a power to 1 picowatt, expressed in decibels
dB μ V/m	ratio of an electric field to 1 μ V/m, expressed in decibels (20 log(electric field / 1 μ V/m))

3.3 Abbreviations

For the purposes of the present document, the following abbreviations apply:

BW	BandWith
CC	Control Channel
CCF	Control Channel reception Failure
CCR	Control Channel correctly Received
CENR	Cessation of Emissions Not Required
CEPT	Conférence Européenne des Postes et Télécommunications (European Conference of Postal and Telecommunications)
CER	Cessation of Emissions Required
CISPR	Comité International Spécial des Perturbations Radioélectriques (International Special Committee on Radio Interference)
CMF	Control and Monitoring Functions
DC	Direct Current
ECC	Electronic Communications Committee (of CEPT)
EIA	Electronic Industries Alliance
EIRP	Equivalent Isotropically Radiated Power
EMC	Electro-Magnetic Compatibility
epfd	equivalent power flux-density
epfd \uparrow	Uplink equivalent power flux-density
ESOMP	Earth Station On Mobile Platform