



**SLOVENSKI STANDARD**  
**SIST EN 1270:1998/A1:2002**  
**01-september-2002**

---

CdfYa Uýdcfb] \ ]] f]ý '!' CdfYa UnU\_cýUf\_c'!: i b\_V]cbUby]b'j UfbcgfbY'nU H]j Yž  
dfYg\_i gbY'a YfcXY

Playing field equipment - Basketball equipment - Functional and safety requirements,  
test methods

Spielfeldgeräte - Basketballgeräte - Funktionelle und sicherheitstechnische  
Anforderungen, Prüfverfahren

Equipements de jeux - Equipements de basket-ball - Exigences fonctionnelles et de  
sécurité, méthodes d'essai

[SIST EN 1270:1998/A1:2002](https://standards.iteh.ai/catalog/standards/sist/f891e763-c9cf-4e32-b508-58492518832d/sist-en-1270-1998-a1-2002)

[https://standards.iteh.ai/catalog/standards/sist/f891e763-c9cf-4e32-b508-](https://standards.iteh.ai/catalog/standards/sist/f891e763-c9cf-4e32-b508-58492518832d/sist-en-1270-1998-a1-2002)

[58492518832d/sist-en-1270-1998-a1-2002](https://standards.iteh.ai/catalog/standards/sist/f891e763-c9cf-4e32-b508-58492518832d/sist-en-1270-1998-a1-2002)

**Ta slovenski standard je istoveten z: EN 1270:1998/A1:2000**

---

**ICS:**

97.220.30 Oprema za dvoranske športe Indoor sports equipment

**SIST EN 1270:1998/A1:2002**

**en**

**iTeh STANDARD PREVIEW**  
**(standards.iteh.ai)**

SIST EN 1270:1998/A1:2002

<https://standards.iteh.ai/catalog/standards/sist/f891e763-c9cf-4e32-b508-58492518832d/sist-en-1270-1998-a1-2002>

EUROPEAN STANDARD  
NORME EUROPÉENNE  
EUROPÄISCHE NORM

EN 1270:1998/A1

September 2000

ICS 97.220.30

English version

## Playing field equipment - Basketball equipment - Functional and safety requirements, test methods

Equipements de jeux - Equipements de basket-ball -  
Exigences fonctionnelles et de sécurité, méthodes d'essai

Spielfeldgeräte - Basketballgeräte - Funktionelle und  
sicherheitstechnische Anforderungen, Prüfverfahren

This amendment A1 modifies the European Standard EN 1270:1998; it was approved by CEN on 10 September 2000.

CEN members are bound to comply with the CEN/CENELEC Internal Regulations which stipulate the conditions for inclusion of this amendment into the relevant national standard without any alteration. Up-to-date lists and bibliographical references concerning such national standards may be obtained on application to the Central Secretariat or to any CEN member.

This amendment exists in three official versions (English, French, German). A version in any other language made by translation under the responsibility of a CEN member into its own language and notified to the Central Secretariat has the same status as the official versions.

CEN members are the national standards bodies of Austria, Belgium, Czech Republic, Denmark, Finland, France, Germany; Greece, Iceland, Ireland, Italy, Luxembourg, Netherlands, Norway, Portugal, Spain, Sweden, Switzerland and United Kingdom.

**STANDARD PREVIEW**  
(standards.iteh.ai)

<https://standards.iteh.ai/catalog/standards/sist/f891e763-c9cf-4e32-b508-58492518832d/sist-en-1270-1998-a1-2002>



EUROPEAN COMMITTEE FOR STANDARDIZATION  
COMITÉ EUROPÉEN DE NORMALISATION  
EUROPÄISCHES KOMITEE FÜR NORMUNG

Central Secretariat: rue de Stassart, 36 B-1050 Brussels

## Foreword

This Amendment EN 1270:1998/A1:2000 to the EN 1270 :1998 has been prepared by Technical Committee CEN/TC 136 "Sports, playground and other recreational equipment", the secretariat of which is held by DIN.

This Amendment to the European Standard EN 1270:1998 shall be given the status of a national standard, either by publication of an identical text or by endorsement, at the latest by March 2001, and conflicting national standards shall be withdrawn at the latest by March 2001.

The purpose of Amendment 1 to EN 1270:1998 is to modify figure 8, table 3, table 4, figure 10, 3.3.2, 3.4.2, 4.3 and figures A.1 and A.3.

With resolution CEN/TC 136/SC 2 60 (Vienna 5 – 1999) CEN/TC 136/SC 2 agreed to an amendment to EN 1270 : 1998 which became necessary due to the modifications of FIBA as proposed in document N 193m. This resolution was adopted by CEN/TC 136 with resolution CEN/TC 136/112 (Vienna 2 – 1999) using the UAP procedure of 6 months.

According to the CEN/CENELEC Internal Regulations, the national standards organizations of the following countries are bound to implement this European Standard: Austria, Belgium, Czech Republic, Denmark, Finland, France, Germany, Greece, Iceland, Ireland, Italy, Luxembourg, Netherlands, Norway, Portugal, Spain, Sweden, Switzerland and the United Kingdom.

## iTeh STANDARD PREVIEW (standards.iteh.ai)

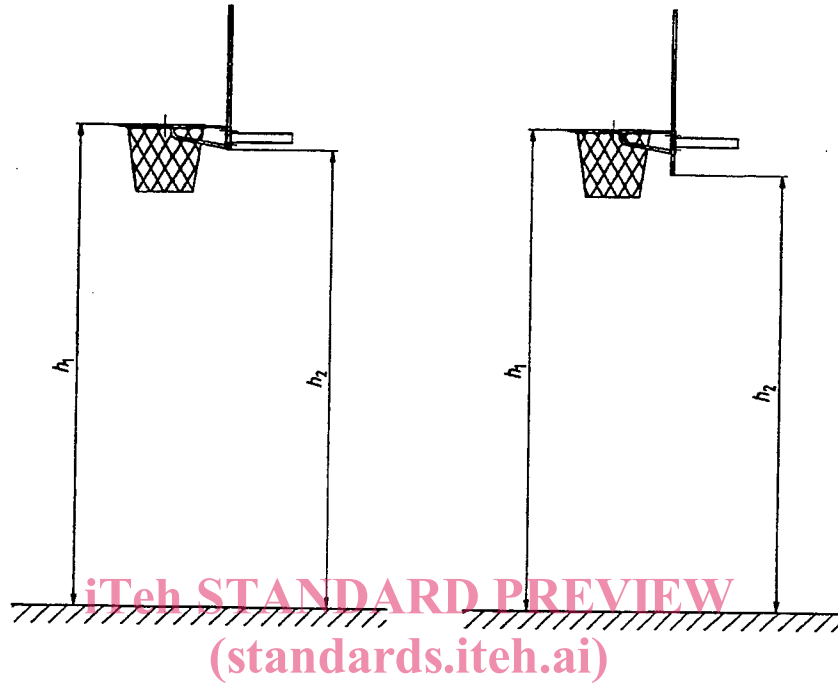
[SIST EN 1270:1998/A1:2002](https://standards.iteh.ai/catalog/standards/sist/f891e763-c9cf-4e32-b508-58492518832d/sist-en-1270-1998-a1-2002)

<https://standards.iteh.ai/catalog/standards/sist/f891e763-c9cf-4e32-b508-58492518832d/sist-en-1270-1998-a1-2002>

### 3.2 Dimensions

Replace figure 8 by the following:

Dimensions in millimetres



SIST EN 1270:1998/A1:2002

<https://standards.iteh.ai/catalog/standards/sist/f891e763-c9cf-4e32-b508-58492518832d/sist-en-1270-1998-a1-2002>

a) Backboard 1 800 mm × 1 050 mm      b) Backboard 1 800 mm × 1 200 mm

**Figure 8: Main functional dimensions for classes A to D**

Replace table 3 by the following:

**Table 3: Main functional dimensions for classes A to D**

Dimensions in millimetres

Nominal size	Nominal dimension		Type
	$h_1$ ± 6	$h_2$ ± 6	
3 050	3 050	2 900 (2 750)*)	1 to 7
3 050/2 600	2 600	2 450 (2300)*)	8

\*) for backboard height = 1 200 mm

Replace table 4 by the following:

**Table 4: Dimensions of backboard and markings**

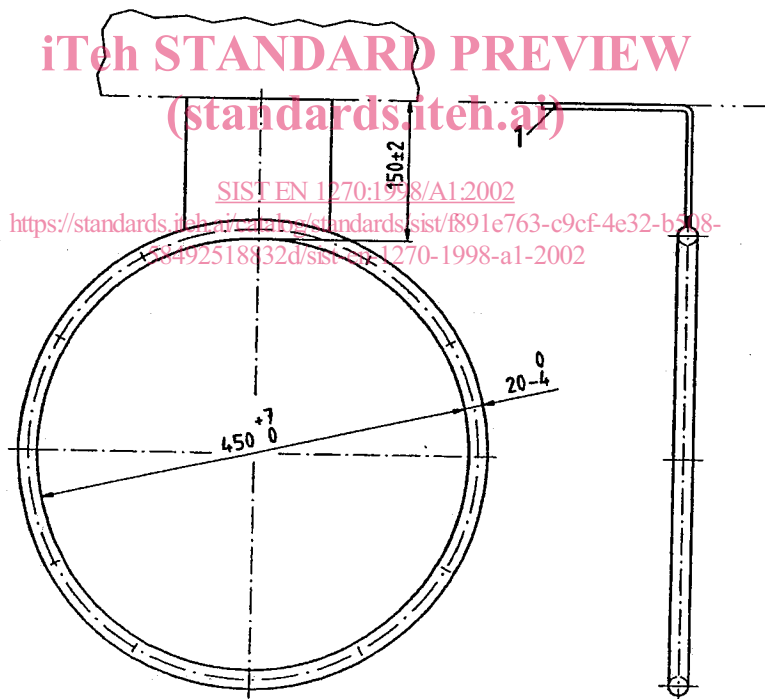
Dimensions in millimetres

Backboard		Markings					Application of classes
$l_1$	$h_1$	$l_2$	$h_2$	$h_3$	$h_4$	$l_3$	
1 800	1 050	590	450	150	50	50	A, B, C, E
1 800	1 200*)	590	450	—	50	50	B, C, E
1 200	900	—	—	—	—	—	B, C, D, E
1 100	700	—	—	—	—	—	B, C, D, E
900	600	—	—	—	—	—	B, C, D, E
any other	any other	—	—	—	—	—	E

\*) Since 1998-07-26 not permitted according to the official rules of FIBA

Replace figure 10 by the following:

Dimensions in millimetres



1 fixing plate

**Figure 10: Ring**

### 3.3.2 Ring

Change the text of 3.3.2 as follows:

For classes A and B the rings shall be made of solid steel, to at least S 235 JR as specified in EN 10025.

### 3.4.2 Ring

Change the 2nd paragraph as follows:

For classes A and B, 12 net attachments shall be equally spaced on the underside of the ring element.

### 4.3 Attachment of the net to the ring

Modify 4.3 as follows:

The attachment of the net to the ring shall be designed such that the fingers of the player cannot be caught, the gap shall be not more than 8 mm.

NOTE: A net attachment according to figure A.1 fulfills this requirement.

**iTeh STANDARD PREVIEW**  
**(standards.iteh.ai)**

[SIST EN 1270:1998/A1:2002](https://standards.iteh.ai/catalog/standards/sist/f891e763-c9cf-4e32-b508-58492518832d/sist-en-1270-1998-a1-2002)  
<https://standards.iteh.ai/catalog/standards/sist/f891e763-c9cf-4e32-b508-58492518832d/sist-en-1270-1998-a1-2002>

**Annex A** (informative)

Replace figures A.1 and A.3 by the following:

Dimensions in millimetres

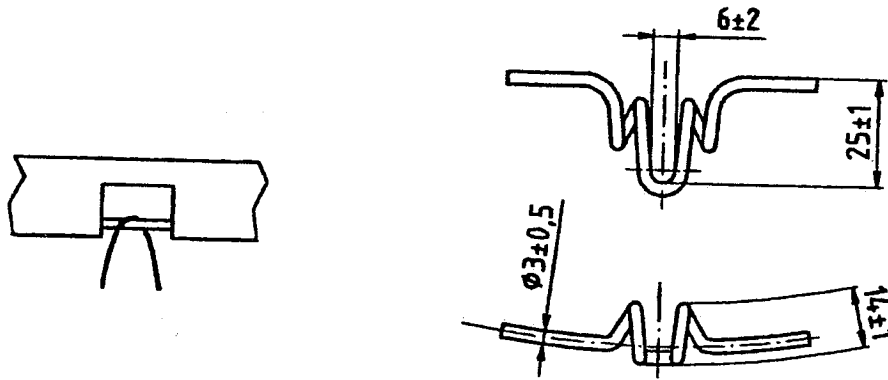


Figure A.1: Examples of a net attachment  
(standards.iteh.ai)

Dimensions in millimetres

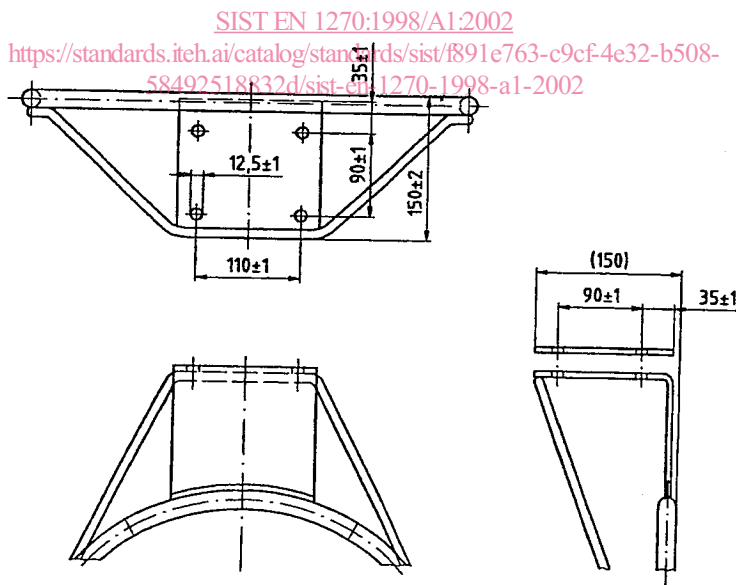


Figure A.3: Example of hole pattern for ring fixing