



Designation: D 3466 – 76 (Reapproved 1998)

Standard Test Method for Ignition Temperature of Granular Activated Carbon¹

This standard is issued under the fixed designation D 3466; the number immediately following the designation indicates the year of original adoption or, in the case of revision, the year of last revision. A number in parentheses indicates the year of last reapproval. A superscript epsilon (ϵ) indicates an editorial change since the last revision or reapproval.

1. Scope

1.1 This test method covers the determination of reference ignition temperature of granular activated carbon in flowing air. This test method provides a basis for comparing the ignition characteristics of different carbons, or the change in ignition characteristics of the same carbon after a period of service.

1.2 The ignition temperature as determined by this test method cannot be interpreted as the probable ignition temperature of the same carbon under the operating conditions of a specific application unless those conditions are essentially the same as those in this test method. If it is desired to determine the ignition temperature of the carbon under a specific set of operating conditions, the test may be modified to simulate such conditions, taking into consideration the following variables: (1) air flow rate; (2) moisture content of the carbon; (3) bed depth; (4) relative humidity of the air stream; (5) heating rate; (6) contaminants (for example, hydrocarbons, etc.) in the air stream; and (7) contaminants that may have been adsorbed by the carbon under prior service conditions.

1.3 *This standard does not purport to address all of the safety concerns, if any, associated with its use. It is the responsibility of the user of this standard to establish appropriate safety and health practices and determine the applicability of regulatory limitations prior to use.* Specific precautionary statements are given in Section 7.

2. Referenced Documents

2.1 ASTM Standards:

- D 2652 Terminology Relating to Activated Carbon²
- D 2854 Test Method for Apparent Density of Activated Carbon²
- D 3195 Practice for Rotameter Calibration³
- E 11 Specification for Wire-Cloth Sieves for Testing Purposes⁴

¹ This test method is under the jurisdiction of ASTM Committee D-28 on Activated Carbon, and is the direct responsibility of Subcommittee D 28.04 on Gas Evaluation Tests.

Current edition approved June 25, 1976. Published October 1976.

² *Annual Book of ASTM Standards*, Vol 15.01.

³ *Annual Book of ASTM Standards*, Vol 11.03.

⁴ *Annual Book of ASTM Standards*, Vol 14.02.

E 220 Method for Calibration of Thermocouples by Comparison Techniques⁵

E 300 Practice for Sampling Industrial Chemicals⁶

3. Terminology

3.1 *Definitions*—Terms relating to this test method are defined in Terminology D 2652.

4. Summary of Test Method

4.1 A sample of carbon is exposed to a heated air stream, the temperature of which is slowly increased until the carbon ignites. The temperature of the carbon bed and of the air entering the bed are recorded, and ignition is defined as the point at which the carbon temperature suddenly rises above the temperature of the air entering the bed.

5. Significance and Use

5.1 Activated carbons used in gas-phase adsorption may be subjected to heating, either from heat applied externally to the carbon bed, or heat generated by radioactive⁷ contaminants, or by the adsorption process itself. If the application of heat is sudden, or if no ample means to conduct the heat from the carbon bed exists, the carbon bed may ignite. This test method provides a controlled laboratory test to determine the temperatures at which such ignition occurs. As stated in 1.2, this does not necessarily give the temperature at which ignition will occur under a specific bed operating condition. This test method does, however, allow some ranking of carbons with regard to ignition temperature, and is a useful quality-control method for unused carbons.

6. Apparatus

6.1 *Quartz Ignition Tube and Sample Holder*, as shown in Fig. 1.

6.2 *Thermocouples*, Chromel-Alumel with Inconel sheath, 0.635-mm diameter, three required.

6.3 *Supply of Clean, Dry, Oil-Free Air*—The air must be passed through a HEPA filter and a bed of activated carbon

⁵ *Annual Book of ASTM Standards*, Vol 14.03.

⁶ *Annual Book of ASTM Standards*, Vol 15.05.

⁷ Milham and Kovocho, "Treatment of Airborne Radioactive Wastes," International Atomic Energy Agency, Vienna, 1968. (Paper SM-110/49).

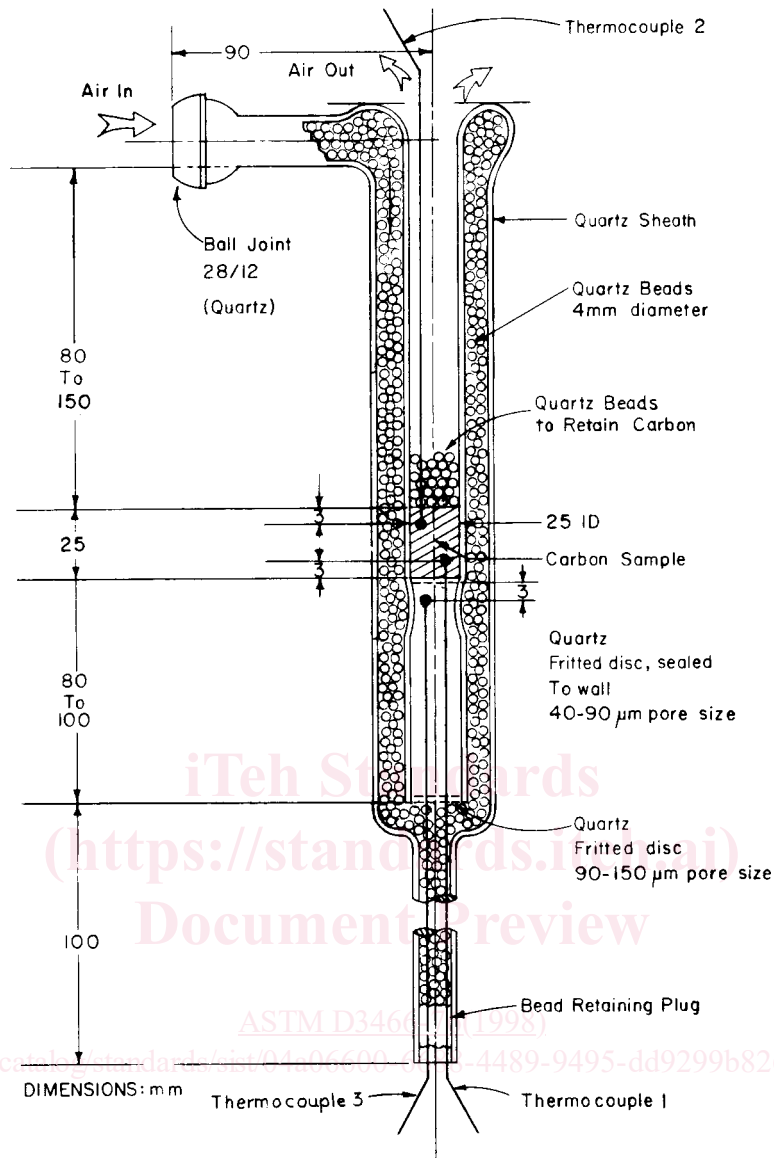


FIG. 1 Ignition Tube and Sample Assembly

containing at least 300 mL of carbon per litre per minute of air flow. Relative humidity of the air must be less than 5 % at 25°C.

6.4 *Flowmeter*, capable of metering air flow rates to 20 L/min.

6.5 *Heating Mantle*, tape, or oven to surround the ignition tube; at least 50 W.

6.6 *Variable Transformer* or temperature programmer for heater.

6.7 *Supply of Compressed Nitrogen*.

6.8 *Quartz Beads*, 4-mm in diameter or smaller as needed to prevent fluidization.

6.9 *Sieves*, (two) 76.2-mm in diameter, 150- μ m conforming to Specification E 11.

6.10 *Potentiometric Recorder* or equivalent readout for thermocouples (3 or more points).

6.11 *Programmable Temperature Controller* (Optional).

7. Hazards

7.1 The temperature rise in a carbon bed is quite sudden at ignition. An adequate supply of nitrogen and an operator must be present to quench the fire when this rise occurs. Do not stop nitrogen flow until all thermocouples indicate temperatures substantially below ignition.

7.2 Combustion products of carbon or carbon impregnants may be toxic. It is advisable to conduct this test in a fume hood.

8. Sampling

8.1 Guidance in sampling granular activated carbon is given in Practice E 300.

9. Preparation of Apparatus

9.1 Assemble apparatus as shown in Fig. 1 and Fig. 2.

9.2 Leak test the assembly and eliminate any leakage.