



Designation: C756 – 87 (Reapproved 2006)

Standard Test Method for Cleanability of Surface Finishes¹

This standard is issued under the fixed designation C756; the number immediately following the designation indicates the year of original adoption or, in the case of revision, the year of last revision. A number in parentheses indicates the year of last reapproval. A superscript epsilon (ϵ) indicates an editorial change since the last revision or reapproval.

1. Scope

1.1 This test method covers the numerical evaluation of the ease or difficulty of cleaning soiled surface finishes. This test method is applicable to all surface finishes not affected by water.

1.2 Values given in SI units are to be regarded as the standard. Inch-pound units are provided for information only.

1.3 *This standard does not purport to address all of the safety concerns, if any, associated with its use. It is the responsibility of the user of this standard to establish appropriate safety and health practices and determine the applicability of regulatory limitations prior to use.*

2. Referenced Documents

2.1 *ASTM Standards:*²

C282 Test Method for Acid Resistance of Porcelain Enamels (Citric Acid Spot Test)

C614 Test Method for Alkali Resistance of Porcelain Enamels

3. Summary of Test Method

3.1 The test method consists of applying an exact amount of a fluorescent water-soluble soiling agent to a specimen surface and then cleaning the surface with a reproducible machine-wiping technique. The soil remaining on the specimen after wiping is extracted with a water solvent and the fluorescence of the solution measured. A standard reference surface is treated in a similar manner. The cleanability index of the surface under test is expressed as the ratio of the fluorescence of the solutions extracted from the test surface and from the standard reference surface. Cleanability indexes greater than 1.0 indicate that the test surface is more difficult to clean than the standard

reference surface, while indexes less than 1.0 indicate that the test surface is more easily cleanable than the standard of comparison.

3.2 The soiling agent used consists of polyethylene glycol, a black dye, and a fluorescent tracer, each of which is readily water soluble.

4. Significance and Use

4.1 This test method was developed to guide the user in selecting a finish coating or material that is resistant to soiling in a particular application.

4.2 The numerical values derived by this test method enables the user to rank finish coatings and materials in regard to soil retention or ease of soil removal.

5. Apparatus

5.1 *Motor-Driven Lapping Plate*, 203-mm (8-in.) diameter, speed 163 r/min.³

5.2 *Automatic Polishing Unit*, 11-s cycle, adjustable to 48-mm (1 $\frac{7}{8}$ -in.) stroke.⁴

5.3 *Hypodermic Syringe*, glass, 2-mL capacity, without needle.

5.4 *Repeating Pipet*, 0.025 mL (25 μ L) capacity.

5.5 *Repeating Pipet*, 10-mL capacity.

5.6 *Desiccator* approximately 254 mm (10 in.) diameter.

5.7 *Cleaning Head*, brass, 57 mm (2 $\frac{1}{4}$ in.), with worm-driven hose clamp for attachment of cleaning tissues (Fig. 1).

5.8 *Soiling Head*, brass, 25 mm (1 in.) diameter, with 25-mm (1-in.) diameter facing of polytetrafluoroethylene attached with a water-proof household cement (Fig. 1).

5.9 *Extraction Cell*, fitted with a fluorosilicone O-ring, size 3.2 by 57 mm ($\frac{1}{8}$ by 2 $\frac{1}{4}$ in.) (Fig. 2).⁵

³ Suitable lapping plates are available from Buehler Ltd., 2120 Greenwood St., Evanston, IL 60204, Struers, Inc., 20102 Progress Drive, Cleveland, OH, 44136; or other Metallurgical Supply Sources.

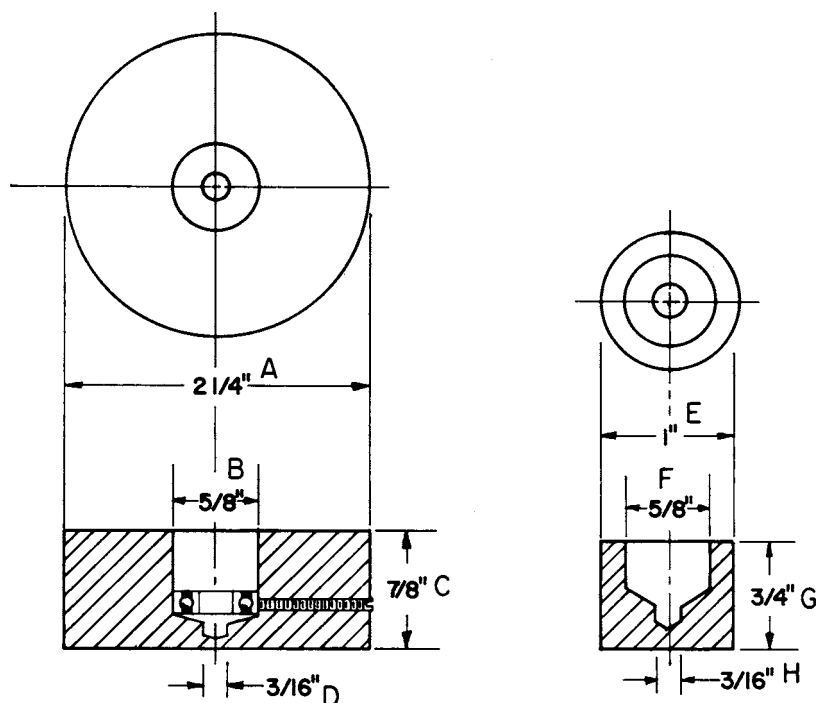
⁴ An Olsen "S.M." Automatic Polisher has been found suitable and is available under the code name OLPOL from Struers, Inc., 20102 Progress Drive, Cleveland, OH 44136.

⁵ O-rings must be fluorosilicone polymer; consult Precision Associates, 742 N. Washington Ave., Minneapolis, MN 55401; Parker Seal Co., 10567 W. Jefferson Blvd., Culver City, CA 90230; & B. W. Rogers (Parker Dis.) 1000 Brookpark Rd., Cleveland, OH 44109. Also see other sources in Thomas Register under SEALS: "O" RINGS. A suitable device for clamping the cell to a specimen is shown in Fig. 3 and Fig. 5.

¹ This test method is under the jurisdiction of ASTM Committee B08 on Metallic and Inorganic Coatings and is the direct responsibility of Subcommittee B08.12 on Materials for Porcelain Enamel and Ceramic-Metal Systems.

Current edition approved April 1, 2006. Published May 2006. Originally approved in 1973. Last previous edition approved in 1999 as C756 – 87 (1999). DOI: 10.1520/C0756-87R06.

² For referenced ASTM standards, visit the ASTM website, www.astm.org, or contact ASTM Customer Service at service@astm.org. For *Annual Book of ASTM Standards* volume information, refer to the standard's Document Summary page on the ASTM website.



Cleaning Head, Brass

Soiling Head, Brass

	Metric Equivalents							
	A	B	C	D	E	F	G	H
in.	2 1/4	5/8	7/8	3/16	1	5/8	3/4	3/16
(mm)	(57)	(16)	(22)	(5)	(25)	(16)	(19)	(5)

FIG. 1 Cleaning and Soiling Heads

5.10 *Fluorometer*, for measuring the fluorescence of solutions.⁶

5.11 *0.9 Neutral Density Filter*, 50.8 by 50.8 mm (2 by 2 in.) glass mounted (transmission 12.5 %).

5.12 *Beakers*, borosilicate, 100-mL capacity.

6. Reagents and Materials

6.1 *Cleaning Tissues*, approximately 127 by 229 mm (5 by 9 in.).⁷

6.2 *Potassium Carbonate*.

6.3 *Polyethylene Glycol*, 400.

6.4 *Uranine*, water-soluble, USP.⁸

6.5 *Keco Acid Black*, B(F101).⁹

6.6 *Ethyl Alcohol*.

6.7 *Mild Household Detergent*, liquid.

7. Test Specimens

7.1 The preferred specimen size is 114 mm (4½ in.) square, but any other size or shape may be used provided it can be rotated on the lapping wheel and the smaller dimension is

between 102 and 127 mm (4 and 5 in.). Sharp or jagged edges shall be filed or honed to prevent snagging of the cleaning tissues during the mechanical cleaning process.

7.2 Twelve specimens are required to evaluate the cleanability index, that is, six of the candidate surface, and six of a porcelain enamel standard reference surface for cleanability. Porcelain enamel specimens are not damaged by the cleanability test and may be cleaned and reused many times. Specimens have been reused as many as 50 times without damage or solid buildup.

NOTE 1—The porcelain enamel covercoat used to coat the standard reference surface shall have the following characteristics: Acid Resistance: AA (Test Method C282) Alkali Resistance: Maximum 1.55 mg/cm wt. loss (Test Method C614).

8. Preparation of Standard Soil

8.1 The soiling agent shall consist of the following:

Ingredient	Weight %
Polyethylene glycol	98
Keco Acid Black B	1
Uranine, water-soluble	1

8.2 The uranine shall be added to the polyethylene glycol in food blender and mixed by alternate periods of mixing and standing until the crystalline uranine appears to be completely dissolved in the glycol. The black dye which obscures all else shall be added last and thoroughly mixed in the blender. This soiling agent shall be stored in a tightly stoppered glass bottle at least overnight before use.

⁶ Turner Fluorometer, Model 111 (Turner 111-003) available from Curtin Matheson Scientific, Inc., 10727 Tucker St., Beltsville, MD 20705, Sequoia-Turner Dial Model 111, Fisher Scientific Co., 711 Forbes Ave., Pittsburg, PA 15219, and other principal cities for both.

⁷ Cel-Fibe Wipes, Type 1745 or equivalent.

⁸ Uranine is the sodium salt of fluorescein, C₂₀H₁₀O₅Na₂.

⁹ A water-soluble fabric dye used principally for nylon, silk, and wool; available from Keystone Aniline and Chemical Co., 321 N. Loomis, Chicago, IL 60607.

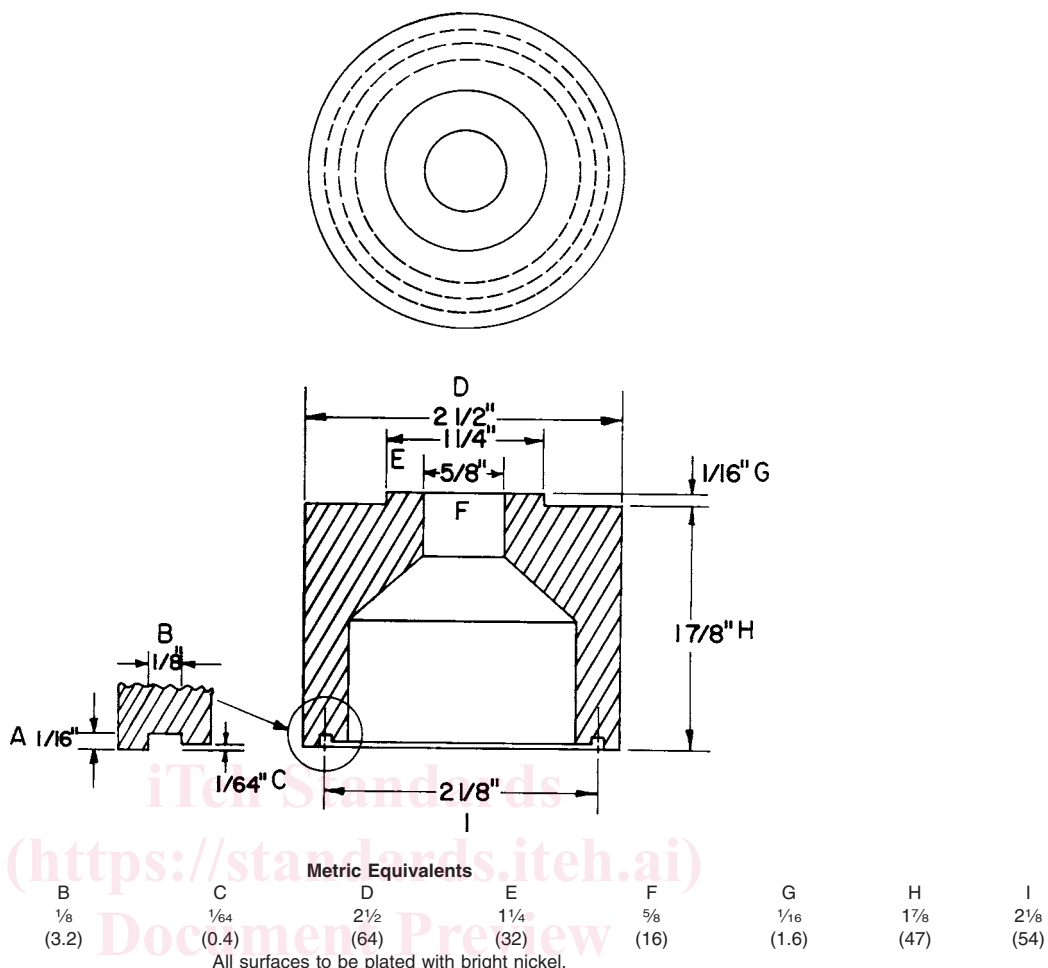


FIG. 2 Brass Extraction Cell

ASTM C756-87(2006)

9. Procedure

9.1 *Specimen Pretreatment*—Scrub the specimens with a cellulose sponge wet with a 1 % solution of a mild household detergent at room temperature. Rinse in turn with tap water, distilled water, and ethyl alcohol, and allow to dry in a near-vertical position at room temperature. Store the washed and dried specimens overnight in a desiccator charged with a saturated solution of potassium carbonate.

9.2 *Conditioning of Cleaning Tissues*—Cut a supply of tissues ample for use in specimen cleaning treatment in the following paragraph into approximately 102-mm (4-in.) squares and store overnight, before use, in a desiccator charged with a saturated solution of potassium carbonate (relative humidity approximately 45 %). Allow the tissues to remain in the desiccator until just prior to use.

9.3 Soiling and Cleaning Treatments:

9.3.1 Lay out six specimens face up on a table. Homogenize the soiling agent by up-ending several times before use. Fill the hypodermic syringe with no needle attached with the soiling agent by withdrawing the plunger. Expel this charge of soil back into the soil bottle. Then fill the syringe again. Wipe the tip of the syringe with a cleaning tissue and expel several drops into the soil bottle. Then, without rewiping the tip, hold the syringe vertically over a specimen and discharge one drop near

the center of each of the six specimens. Center the first specimen on the lapping wheel and hold it in place by means of adhesive tape across the specimen corners. Place the polytetrafluoroethylene-faced soiling head on the soil, and engage the spindle (Fig. 4) of the polishing unit. Operate the lapping wheel and the polishing unit for 1 min to distribute the soil over the central portion of the specimen (Fig. 5). Remove the soiling head and clean it with tissue for reuse. Adjust the spindle so that it rests over the center of the soil spot. Prepare two cleaning heads 57 mm (2 1/4 in.) diameter) by covering with four thicknesses of cleaning tissues clamped smoothly in place. With the repeating pipet expel exactly 0.021 mL of distilled water at the center of the tissue on the first cleaning head.

9.3.2 Immediately place the cleaning head with tissue side against the soiled specimen, engage the spindle, and operate for 22 s (so that it will stop as well as start at the center of the specimen). Remove the cleaning head without sliding motion. Repeat the cleaning operation with the second tissue-covered head, using the same amount of distilled water and for the same 22-s period.

9.3.3 Store the first soiled and cleaned specimen in a near vertical position in a rack while applying exactly the same series of soiling and cleaning treatments to the five remaining specimens.

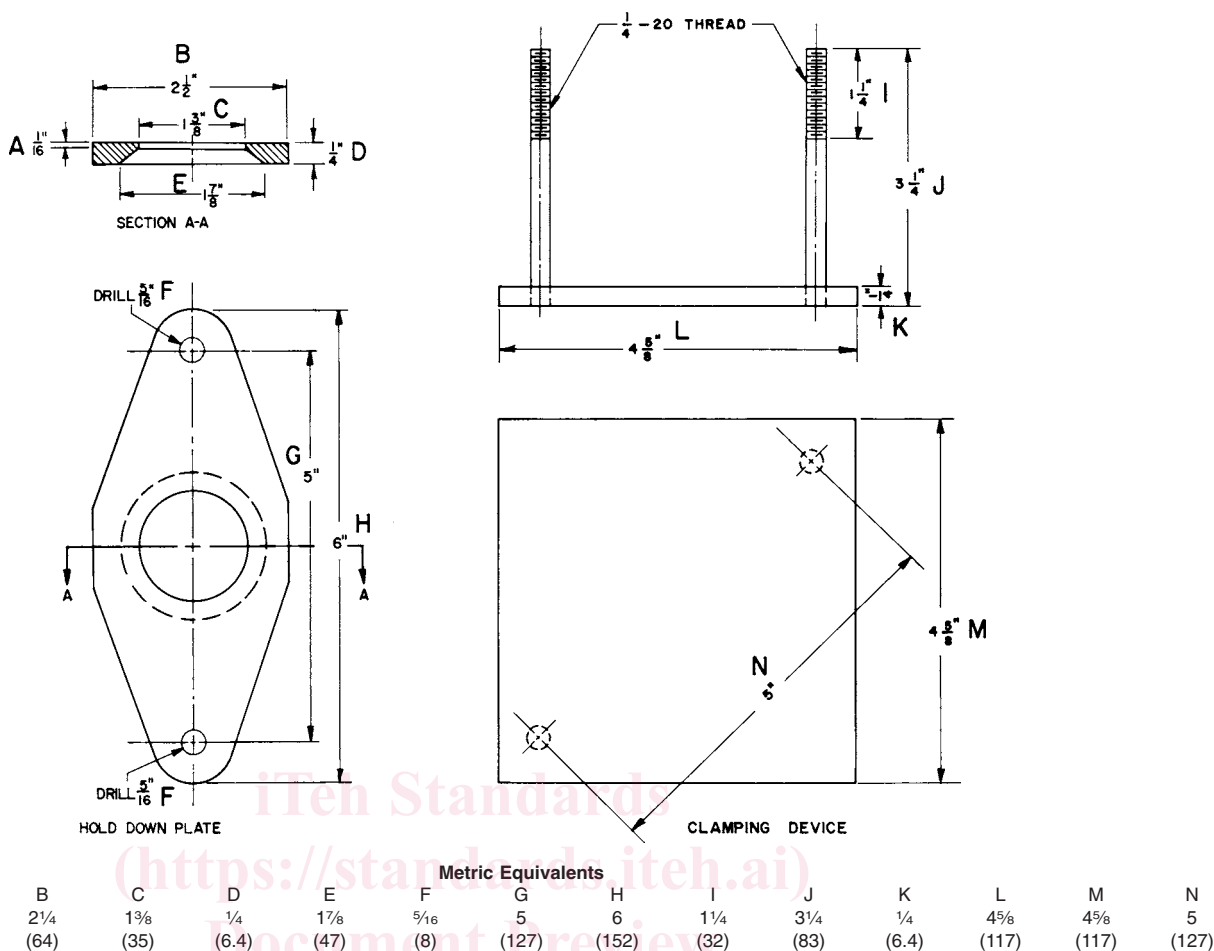


FIG. 3 Device for Clamping Extraction Cell to Specimen

9.4 *Water Extraction of the Soil Retained*—Remove the small, often nonvisible, amounts of soil from the central portion of the soiled and cleaned specimens with 10 mL of distilled water in the O-ring sealed extraction cell by the following sequence of operations within 30 min after soiling; place the first soiled and cleaned specimen, face up, in the center of the cell clamping frame. Place a clean and dry extraction cell (Fig. 2) on the center of the specimen so that the O-ring defines the area to be extracted (Fig. 5). Clamp the cell in the frame with a light pressure from the wing nuts; introduce 10 mL of distilled water with the 10-mL repeating pipet, swirl the water in the cell momentarily and let stand for 3 min, give the solution in the cell another swirl and pour out into a clean and dry 100 mL beaker; transfer a portion of the extract to a clean, dry cuvette and place the cuvette in a rack until the other five extracts are ready for measurement in the fluorometer.

9.5 *Measurement of Fluorescence*—Operate the fluorometer according to the manufacturer's instructions. Measure and record the fluorescence of a distilled water blank. Measure and record in turn the fluorescence of the solutions extracted from the specimens.

NOTE 2—If concentrated solutions give off-scale readings, a 0.9 neutral-density filter should be inserted between the fluorescing solution and the photomultiplier. This filter transmits only 12.5 % of the light emitted by the solution, reducing the fluorescence readings and bringing

them on scale. Redetermine the blank reading with the filter in place and multiply the reduced reading by 8.0 which is 1 divided by the 12.5 % transmission of the neutral density filter.

9.6 *Standard Reference Surface*—Apply the test procedure outlined in 7.1 through 7.5 to the Standard Reference Surfaces at least once during each testing day to obtain the average fluorescence of solutions extracted from these specimens.

9.7 *Preferred Methods of Equipment Cleaning*:

9.7.1 The successful use of the fluorimetric analytical techniques employed in this procedure demands that a scrupulous level of cleanliness be maintained throughout. An oily thumbprint on the glass cuvette containing the solution to be measured may be more fluorescent than the unknown.

9.7.2 Wash the glass beakers and the extraction cells before and after use by brushing in a warm detergent solution; rinse copiously with flowing tap water and then with distilled water. The glass beakers may be oven dried. The extraction cells, without O-ring removal, may be wiped dry with clean tissue. Clean the syringe used for dispensing uniform amounts of soil on the specimens immediately following use with tap water, distilled water and alcohol, and dry the parts with tissue. Give the glass cuvettes used for measuring fluorescent solutions several rinses with tap water and then alcohol, and allow to drain in an inverted position in a holding rack. Discard the tissue for wiping glassware and other equipment after one use.