



**SLOVENSKI STANDARD**  
**SIST ETS 300 324-5 E2:2003**

**01-december-2003**

---

**Vmesniki V pri digitalnih krajevnih centralah (LE) – Vmesnik V5.1 za podporo dostopovnemu omrežju (AN) – 5. del: Zgradba preskušalnega niza in nameni preskušanja (TSS&TP) – Specifikacija za omrežno plast na strani krajevne centrale (LE)**

V interfaces at the digital Local Exchange (LE); V5.1 interface for the support of Access Network (AN); Part 5: Test Suite Structure and Test Purposes (TSS&TP) specification for the network layer (LE side)

**iTeh STANDARD PREVIEW**  
**(standards.iteh.ai)**

[SIST ETS 300 324-5 E2:2003](https://standards.iteh.ai/catalog/standards/sist/0a354e0f-899a-4292-96be-dc162b98af69/sist-ets-300-324-5-e2-2003)  
<https://standards.iteh.ai/catalog/standards/sist/0a354e0f-899a-4292-96be-dc162b98af69/sist-ets-300-324-5-e2-2003>

**Ta slovenski standard je istoveten z: ETS 300 324-5 Edition 2**

---

**ICS:**

33.040.30	Komutacijski in signalizacijski sistem	Switching and signalling systems
-----------	--	----------------------------------

**SIST ETS 300 324-5 E2:2003**

**en**

**iTeh STANDARD PREVIEW**  
**(standards.iteh.ai)**

[SIST ETS 300 324-5 E2:2003](https://standards.iteh.ai/catalog/standards/sist/0a354e0f-899a-4292-96be-dc162b98af69/sist-ets-300-324-5-e2-2003)

<https://standards.iteh.ai/catalog/standards/sist/0a354e0f-899a-4292-96be-dc162b98af69/sist-ets-300-324-5-e2-2003>



**E**UROPEAN  
**T**ELECOMMUNICATION  
**S**TANDARD

**ETS 300 324-5**

April 1999

Second Edition

Source: SPS

Reference: RE/SPS-09055-5

ICS: 33.020

**Key words:** V interface, V5 interface, PSTN, ISDN, LE, TSS&TP, testing, layer 3, AN

**V interfaces at the digital Local Exchange (LE);  
V5.1 interface for the support of Access Network (AN);  
Part 5: Test Suite Structure and Test Purposes (TSS&TP)  
specification for the network layer (LE side)**

**ETSI**

European Telecommunications Standards Institute

**ETSI Secretariat**

**Postal address:** F-06921 Sophia Antipolis CEDEX - FRANCE

**Office address:** 650 Route des Lucioles - Sophia Antipolis - Valbonne - FRANCE

**Internet:** secretariat@etsi.fr - <http://www.etsi.org>

Tel.: +33 4 92 94 42 00 - Fax: +33 4 93 65 47 16

**Copyright Notification:** No part may be reproduced except as authorized by written permission. The copyright and the foregoing restriction extend to reproduction in all media.

© European Telecommunications Standards Institute 1999. All rights reserved.

## iTeh STANDARD PREVIEW (standards.iteh.ai)

[SIST ETS 300 324-5 E2:2003](https://standards.iteh.ai/catalog/standards/sist/0a354e0f-899a-4292-96be-dc162b98af69/sist-ets-300-324-5-e2-2003)

<https://standards.iteh.ai/catalog/standards/sist/0a354e0f-899a-4292-96be-dc162b98af69/sist-ets-300-324-5-e2-2003>

**Contents**

Foreword .....	7
1 Scope .....	9
2 Normative references .....	9
3 Definitions and abbreviations.....	10
3.1 Definitions.....	10
3.2 Abbreviations.....	11
4 Test Suite Structure (TSS).....	12
4.1 TSS overview .....	12
4.2 Test groups .....	13
4.2.1 Protocol groups.....	13
4.2.1.1 Control protocol.....	13
4.2.1.2 PSTN protocol.....	14
4.2.2 Main test groups .....	14
4.2.2.1 Basic Interconnection (IT) tests.....	14
4.2.2.2 Capability (CA) tests.....	14
4.2.2.3 Valid Behaviour (BV) tests .....	14
4.2.2.4 Inopportune Behaviour (BO) tests.....	14
4.2.2.5 Invalid Behaviour (BI) tests .....	14
4.2.2.6 Timer (TI) expiry and counter mismatch tests.....	14
4.2.2.6.1 Timer expiry and counters of the	
Control protocol .....	15
4.2.2.6.2 Timer expiry and counters of the	
PSTN protocol .....	15
4.2.2.6.3 Timer expiry and counters of the LE	
system management.....	15
4.3 Test step structure.....	15
4.3.1 State transitions .....	15
4.3.1.1 Startup of V5.1 interface .....	16
4.3.1.2 Common control Protocol (system management).....	17
4.3.1.3 Control protocol (PSTN port FSM).....	17
4.3.1.4 Control protocol (ISDN-BA port FSM) .....	17
4.3.1.5 PSTN protocol.....	17
4.3.2 Preambles.....	18
4.3.3 Postambles .....	18
4.3.4 Status verification.....	18
4.3.4.1 PSTN protocol.....	18
4.3.4.2 Port control protocol .....	19
4.3.4.3 Common control protocol.....	19
4.3.5 Common test steps.....	19
4.4 Defaults .....	20
4.5 Abstract Service Primitives (ASPs) and Protocol Data Units (PDUs) .....	20
4.5.1 ASPs .....	20
4.5.2 PDUs.....	20
4.5.2.1 Common control protocol .....	20
4.5.2.2 Port control protocol .....	20
4.5.2.3 PSTN protocol.....	20
4.5.3 Information elements .....	20
4.5.3.1 Variable length information elements.....	20
4.5.3.1.1 Control protocol .....	20
4.5.3.1.2 PSTN protocol .....	20
4.5.3.2 Single octet information elements .....	21
4.5.3.2.1 Control protocol .....	21
4.5.3.2.2 PSTN protocol .....	21

4.6	Timers and counters of the Abstract Test Suite (ATS).....	21
5	Test Purposes (TPs) .....	22
5.1	Introduction .....	22
5.1.1	TP naming convention.....	22
5.1.2	Source of TP definition.....	23
5.1.3	Test strategy.....	23
5.1.4	Requirements not covered by TPs.....	23
5.1.5	Initial state .....	24
5.1.6	Test and data configuration requirements.....	24
5.2	Control protocol.....	24
5.2.1	Basic interconnection tests (V5NWKLE/CTRL/IT) .....	24
5.2.2	Capability tests (V5NWKLE/CTRL/CA) .....	24
5.2.3	Valid behaviour tests (V5NWKLE/CTRL/BV) .....	25
5.2.3.1	V5NWKLE/CTRL/BV/COM.....	25
5.2.3.1.1	V5NWKLE/CTRL/BV/COM/TRANS.....	25
5.2.3.1.2	V5NWKLE/CTRL/BV/COM/REST .....	25
5.2.3.1.3	V5NWKLE/CTRL/BV/COM/REVV .....	26
5.2.3.2	V5NWKLE/CTRL/BV/PORT .....	28
5.2.3.2.1	V5NWKLE/CTRL/BV/PORT/TRANS .....	28
5.2.3.2.2	V5NWKLE/CTRL/BV/PORT/PSTN.....	29
5.2.3.2.3	V5NWKLE/CTRL/BV/PORT/ISDNBA... ..	31
5.2.4	Inopportune behaviour tests (V5NWKLE/CTRL/BO) .....	36
5.2.4.1	V5NWKLE/CTRL/BO/COM .....	36
5.2.4.1.1	V5NWKLE/CTRL/BO/COM/TRANS .....	36
5.2.4.1.2	V5NWKLE/CTRL/BO/COM/REVV .....	36
5.2.4.2	V5NWKLE/CTRL/BO/PORT.....	36
5.2.4.2.1	V5NWKLE/CTRL/BO/PORT/TRANS... ..	36
5.2.4.2.2	V5NWKLE/CTRL/BO/PORT/ISDNBA .....	36
5.2.5	Invalid behaviour tests (V5NWKLE/CTRL/BI).....	38
5.2.5.1	V5NWKLE/CTRL/BI/COM .....	38
5.2.5.1.1	V5NWKLE/CTRL/BI/COM/TRANS .....	38
5.2.5.2	V5NWKLE/CTRL/BI/PORT .....	39
5.2.5.2.1	V5NWKLE/CTRL/BI/PORT/TRANS .....	39
5.2.6	Timer expiry and counter mismatch tests (V5NWKLE/CTRL/TI).....	40
5.2.6.1	V5NWKLE/CTRL/TI/COM .....	40
5.2.6.1.1	V5NWKLE/CTRL/TI/COM/TRANS .....	40
5.2.6.2	V5NWKLE/CTRL/TI/PORT.....	40
5.2.6.2.1	V5NWKLE/CTRL/TI/PORT/TRANS .....	40
5.3	PSTN Protocol .....	41
5.3.1	Basic interconnection tests (V5NWKLE/PSTN/IT).....	41
5.3.2	Capability tests (V5NWKLE/PSTN/CA).....	41
5.3.3	Valid behaviour tests (V5NWKLE/PSTN/BV).....	42
5.3.3.1	V5NWKLE/PSTN/BV/0 .....	42
5.3.3.2	V5NWKLE/PSTN/BV/1 .....	42
5.3.3.3	V5NWKLE/PSTN/BV/2.....	43
5.3.3.4	V5NWKLE/PSTN/BV/4 .....	44
5.3.3.5	V5NWKLE/PSTN/BV/5 .....	45
5.3.3.6	V5NWKLE/PSTN/BV/6.....	46
5.3.4	Inopportune behaviour tests (V5NWKLE/PSTN/BO) .....	46
5.3.4.1	V5NWKLE/PSTN/BO/0.....	46
5.3.4.2	V5NWKLE/PSTN/BO/1.....	48
5.3.4.3	V5NWKLE/PSTN/BO/2.....	49
5.3.4.4	V5NWKLE/PSTN/BO/4.....	50
5.3.4.5	V5NWKLE/PSTN/BO/6.....	52
5.3.5	Invalid behaviour tests (V5NWKLE/PSTN/BI).....	53
5.3.5.1	V5NWKLE/PSTN/BI/1 .....	53
5.3.5.2	V5NWKLE/PSTN/BI/4 .....	54
5.3.6	Timer expiry and counter mismatch tests (V5NWKLE/PSTN/TI).....	55
5.3.6.1	V5NWKLE/PSTN/TI/0 .....	55
5.3.6.2	V5NWKLE/PSTN/TI/1 .....	55
5.3.6.3	V5NWKLE/PSTN/TI/2 .....	56
5.3.6.4	V5NWKLE/PSTN/TI/4 .....	56

5.3.6.5	V5NWKLE/PSTN/TI/5 .....	57
5.3.6.6	V5NWKLE/PSTN/TI/6 .....	58
Annex A (informative):	Bibliography.....	59
History .....		60

**iTeh STANDARD PREVIEW**  
**(standards.iteh.ai)**

SIST ETS 300 324-5 E2:2003  
<https://standards.iteh.ai/catalog/standards/sist/0a354e0f-899a-4292-96be-dc162b98af69/sist-ets-300-324-5-e2-2003>

Blank page

**iTeh STANDARD PREVIEW**  
**(standards.iteh.ai)**

[SIST ETS 300 324-5 E2:2003](https://standards.iteh.ai/catalog/standards/sist/0a354e0f-899a-4292-96be-dc162b98af69/sist-ets-300-324-5-e2-2003)

<https://standards.iteh.ai/catalog/standards/sist/0a354e0f-899a-4292-96be-dc162b98af69/sist-ets-300-324-5-e2-2003>



## Foreword

This European Telecommunication Standard (ETS) has been produced by the Signalling Protocols and Switching (SPS) Technical Committee of the European Telecommunications Standards Institute (ETSI).

This ETS is part 5 of a multi-part standard covering the V5.1 interface as described below:

- Part 1: "V5.1 interface specification";
- Part 2: "Protocol Implementation Conformance Statement (PICS) proforma";
- Part 3: "Test Suite Structure and Test Purposes (TSS&TP) specification for the network layer (AN side)";
- Part 4: "Abstract Test Suite (ATS) and partial Protocol Implementation eXtra Information for Testing (PIXIT) proforma specification for the network layer (AN side)";
- Part 5: "Test Suite Structure and Test Purposes (TSS&TP) specification for the network layer (LE side)";**
- Part 6: "Abstract Test Suite (ATS) and partial Protocol Implementation eXtra Information for Testing (PIXIT) proforma specification for the network layer (LE side)";
- Part 7: "Test Suite Structure and Test Purposes (TSS&TP) specification for the data link layer";
- Part 8: "Abstract Test Suite (ATS) and partial Protocol Implementation eXtra Information for Testing (PIXIT) proforma specification for the data link layer";
- Part 9: "Test specification for the physical layer".

**STANDARD PREVIEW**  
**(standards.iteh.ai)**

<b>Transposition dates</b>	
Date of adoption of this ETS:	26 March 1999
Date of latest announcement of this ETS (doa):	30 June 1999
Date of latest publication of new National Standard or endorsement of this ETS (dop/e):	31 December 1999
Date of withdrawal of any conflicting National Standard (dow):	31 December 1999

Blank page

**iTeh STANDARD PREVIEW**  
**(standards.iteh.ai)**

SIST ETS 300 324-5 E2:2003

<https://standards.iteh.ai/catalog/standards/sist/0a354e0f-899a-4292-96be-dc162b98af69/sist-ets-300-324-5-e2-2003>

## 1 Scope

This fifth part of ETS 300 324 contains the Test Suite Structure (TSS) and Test Purposes (TPs) for the Network layer (NWK) and parts of the system management of the Local Exchange (LE) side of a V5.1 interface.

The objective of this ETS is to provide conformance tests giving a high probability of inter-operability of an Access Network (AN) and a LE from different manufacturers over the V5.1 interface. This ETS covers the procedures described in ETS 300 324-1 [1] only.

ISO/IEC 9646-1 [4] is used as the basis for the methodology of conformance testing.

Concerning the Public Switched Telephone Network (PSTN) protocol testing, only the procedures defined in ETS 300 324-1 [1] are covered by the tests defined in this ETS. An Implementation Under Test (IUT), however, will have implemented a national PSTN protocol part as well. This requires that the tester generates messages containing the national PSTN protocol specific optional Information Elements (IEs), otherwise the IUT would not act on messages according to the PSTN protocol procedure definition. However, this does not provide a comprehensive test of the national PSTN protocol mapping specification, which is outside the scope of this ETS.

As the tests use PSTN messages containing optional IEs according to national specifications, the test result is only valid for the implemented national mapping of the V5.1 PSTN protocol.

This ETS does not cover tests related to functions of the bearer channel. Those functions should be tested in conjunction with testing the national PSTN protocol mapping specification.

This ETS contains no requirements concerning NWK tests for Integrated Services Digital Network Basic Access (ISDN-BA).

Annex A lists the bibliography. ([standards.iteh.ai](https://standards.iteh.ai))

## 2 Normative references

This ETS incorporates by dated or undated reference provisions from other publications. These normative references are cited at the appropriate places in the text and the publications are listed hereafter. For dated references, subsequent amendments to or revisions of any of these publications apply to this ETS only when incorporated in it by amendment or revision. For undated references the latest edition of the publication referred to applies.

- [1] ETS 300 324-1 (1994) including amendment A1: "V interfaces at the digital Local Exchange (LE); V5.1 interface for the support of Access Network (AN); Part 1: V5.1 interface specification".
- [2] ETS 300 324-2 (1994): "V interfaces at the digital Local Exchange (LE); V5.1 interface for the support of Access Network (AN); Part 2: Protocol Implementation Conformance Statement (PICS) proforma".
- [3] ISO 7498: "Information Processing Systems - Open Systems Interconnection - Basic Reference Model".
- [4] ISO/IEC 9646-1: "Information technology - Open Systems Interconnection - Conformance testing methodology and framework - Part 1: General concepts".

### 3 Definitions and abbreviations

#### 3.1 Definitions

For the purposes of this ETS, the following definitions apply, together with those given in ETS 300 324-1 [1]:

**abstract test case:** Refer to ISO/IEC 9646-1 [4]

**abstract test suite:** Refer to ISO/IEC 9646-1 [4]

**current provisioning variant:** Identifier for the presently active data set

**data link layer:** Refer to ISO 7498 [3]

**implementation under test:** Refer to ISO/IEC 9646-1 [4]

**incorrect information element:** Specified information element carrying information types not defined in ETS 300 324-1 [1]

**invalid PSTN information element:** PSTN information element not according to national specific requirements

**invalid protocol data unit:** PDU which contains an incorrect message format

**invalid PSTN message:** PSTN message carrying information elements not according to national specific requirements

**lower tester:** Refer to ISO/IEC 9646-1 [4]

**network layer:** Refer to ISO 7498 [3]

**new provisioning variant:** Identifier for the data set which was announced to the IUT to become the next active data set through reprovisioning

**physical layer:** Refer to ISO 7498 [3]

**Protocol Implementation Conformance Statement (PICS):** Refer to ISO/IEC 9646-1 [4]

**PICS proforma:** Refer to ISO/IEC 9646-1 [4]

**specified information element:** Information element identifier defined in ETS 300 324-1 [1]

**system under test:** Refer to ISO/IEC 9646-1 [4]

**test purpose:** Refer to ISO/IEC 9646-1 [4]

**unknown provisioning variant:** Identifier for a non-available data set

**unspecified information element:** Information element identifier not defined in ETS 300 324-1 [1]

**valid information element:** PSTN information element according to national specific requirements

**valid PSTN message:** PSTN message carrying information elements according to national specific requirements

iTeh STANDARD PREVIEW

(standards.iteh.ai)

SIST ETS 300 324-5 E2:2003

<https://standards.iteh.ai/catalog/standards/sist/0a354e0f-899a-4292-96be-dc162b98a169/sist-ets-300-324-5-e2-2003>

### 3.2 Abbreviations

For the purposes of this ETS, the following abbreviations apply:

AN	Access Network
ASP	Abstract Service Primitive
ATC	Abstract Test Case
ATS	Abstract Test Suite
BI	Invalid Behaviour
BO	Inopportune Behaviour
BV	Valid Behaviour
CA	Capability
COM	Common control protocol
CTRL	Control
FE	Function Element
FSM	Finite State Machine
ID	Identifier
IE	Information Element
ISDN	Integrated Services Digital Network
ISDN-BA	ISDN-Basic Access
IT	Basic Interconnection
IUT	Implementation Under Test
L3addr	Layer 3 address
LE	Local Exchange
LT	Lower Tester
MDU	Management Data Unit
MPH	Management Physical Layer
NWK	Network Layer
PDU	Protocol Data Unit
PICS	Protocol Implementation Conformance Statements
PSTN	Public Switched Telephone Network
REST	Restart
REVV	Verify and Reprovisioning
SUT	System Under Test
TI	Timer
TP	Test Purpose
TSS	Test Suite Structure

iTECH STANDARD PREVIEW  
 (standards.itech.ai)  
<https://standards.itech.ai/catalog/standards/sist/0a354e0f-899a-4292-96be-9e162b98af69/sist-ets-300-324-5-e2-2003>

## 4 Test Suite Structure (TSS)

### 4.1 TSS overview

Figure 1 shows the structure of the V5.1 LE side NWK test suite.

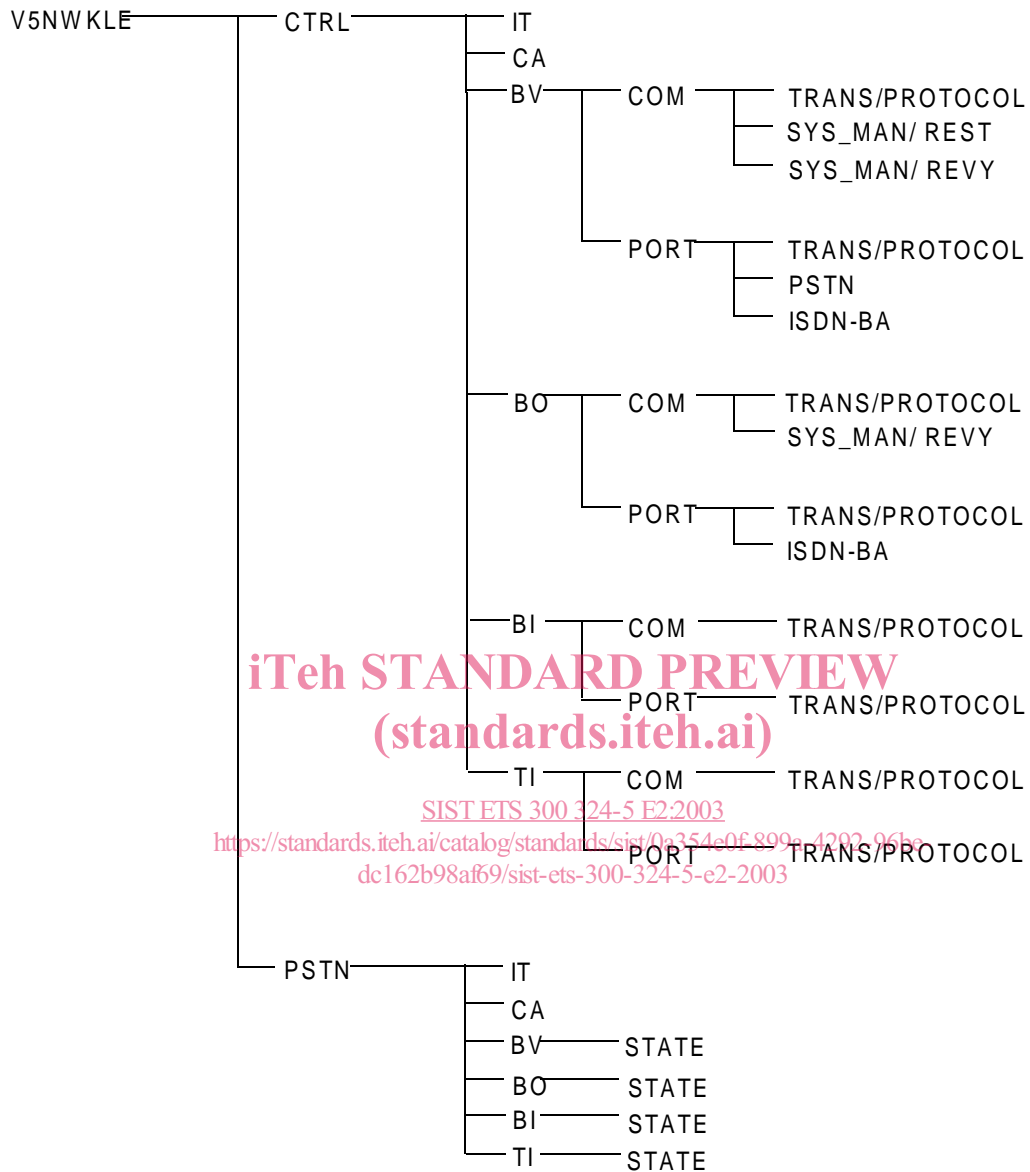


Figure 1: NWK LE TSS

## 4.2 Test groups

Figure 2 gives an overview of the various protocol entities of a V5.1 interface. Table 1 maps each protocol entity on tested protocol groups.

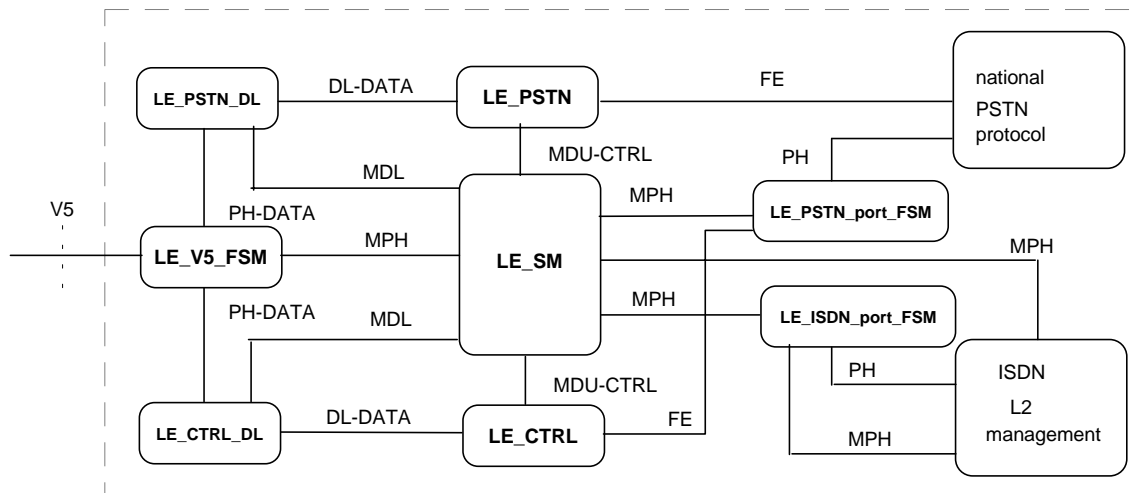


Figure 2: Network Layer LE - protocol entity overview

Table 1: Names used in figure 2 that correspond to ETS 300 324-1 [1]

NWK protocol entities	Protocol entities defined in ETS 300 324-1 [1]	Protocol group references
LE_PSTN_port_FSM	LE_PSTN_user_port_FSM	4.2.1.1
LE_ISDN_port_FSM	LE_ISDN-BA_user_port_FSM	4.2.1.1
LE_CTRL	LE_control_protocol	4.2.1.1
LE_SYS	LE_system_management	4.2.1.1
LE_PSTN	LE_PSTN_protocol	4.2.1.2

### 4.2.1 Protocol groups

#### 4.2.1.1 Control protocol

All tests in the Control protocol (V5NWKLE/CTRL) test group are intended to verify as thoroughly as possible the various procedures of the LE\_control\_protocol entity. Depending on provisioning the following configurations are covered:

**LE\_system\_management:** the startup, restart, re-provisioning and verification procedures for normal operation of the LE\_system\_management (V5NWKLE/CTRL/BV/COM/REST, V5NWKLE/CTRL/BV/COM/REVV and V5NWKLE/CTRL/BO/COM/REVV) are tested.

**LE\_control\_protocol:** the normal and exceptional procedures of the LE\_control\_protocol are verified in the test groups V5NWKLE/CTRL/BV/COM/TRANS, V5NWKLE/CTRL/BO/COM/TRANS, V5NWKLE/CTRL/TI/COM/TRANS, V5NWKLE/CTRL/BV/PORT/TRANS, V5NWKLE/CTRL/BO/PORT/TRANS and V5NWKLE/CTRL/TI/PORT/TRANS. Contents of the LE\_control\_protocol values are not verified (e.g. the control function ID). The error handling procedures are verified in test groups V5NWLKE/CTRL/BI/COM/TRANS and V5NWLKE/CTRL/BI/PORT/TRANS.

**LE\_PSTN\_user\_port:** the blocking, blocking request and co-ordinated unblocking procedures of the LE\_PSTN\_user\_port\_FSM are verified in the test group V5NWKLE/CTRL/BV/PORT/PSTN. The interworking of the LE\_PSTN\_user\_port\_FSM and the LE\_PSTN protocol entity is tested via the LE\_system\_management.