



SLOVENSKI STANDARD
SIST ETS 300 347-3 E2:2003
01-december-2003

Vmesniki V pri digitalnih krajevnih centralah (LE) – Vmesnik V5.2 za podporo dostopovnemu omrežju (AN) – 3. del: Zgradba preskušalnega niza in nameni preskušanja (TSS&TP) – Specifikacija za omrežno plast na strani dostopnega omrežja (AN)

V interfaces at the digital Local Exchange (LE); V5.2 interface for the support of Access Network (AN); Part 3: Test Suite Structure and Test Purposes (TSS&TP) specification for the network layer (AN side)

iTeh STANDARD PREVIEW
(standards.iteh.ai)

<https://standards.iteh.ai/catalog/standards/sist/9061f425-007e-4a78-8db3-f8ed7c9652e0/sist-ets-300-347-3-e2-2003>

Ta slovenski standard je istoveten z: ETS 300 347-3 Edition 2

ICS:

33.040.30	Komutacijski in signalizacijski sistem	Switching and signalling systems
-----------	--	----------------------------------

SIST ETS 300 347-3 E2:2003

en

iTeh STANDARD PREVIEW
(standards.iteh.ai)

[SIST ETS 300 347-3 E2:2003](https://standards.iteh.ai/catalog/standards/sist/9061f425-007e-4a78-8db3-f8ed7c9652e0/sist-ets-300-347-3-e2-2003)

<https://standards.iteh.ai/catalog/standards/sist/9061f425-007e-4a78-8db3-f8ed7c9652e0/sist-ets-300-347-3-e2-2003>



EUROPEAN
TELECOMMUNICATION
STANDARD

ETS 300 347-3

April 1999

Second Edition

Source: SPS

Reference: RE/SPS-09056-3

ICS: 33.020

Key words: V interface, V5 interface, PSTN, ISDN, AN, TSS&TP, testing, layer 3, LE

**V interfaces at the digital Local Exchange (LE);
V5.2 interface for the support of Access Network (AN);
Part 3: Test Suite Structure and Test Purposes (TSS&TP)
specification for the network layer (AN side)**

ETSI

European Telecommunications Standards Institute

ETSI Secretariat

Postal address: F-06921 Sophia Antipolis CEDEX - FRANCE

Office address: 650 Route des Lucioles - Sophia Antipolis - Valbonne - FRANCE

Internet: secretariat@etsi.fr - <http://www.etsi.org>

Tel.: +33 4 92 94 42 00 - Fax: +33 4 93 65 47 16

Copyright Notification: No part may be reproduced except as authorized by written permission. The copyright and the foregoing restriction extend to reproduction in all media.

© European Telecommunications Standards Institute 1999. All rights reserved.

iTeh STANDARD PREVIEW (standards.iteh.ai)

[SIST ETS 300 347-3 E2:2003](https://standards.iteh.ai/catalog/standards/sist/9061f425-007e-4a78-8db3-f8ed7c9652e0/sist-ets-300-347-3-e2-2003)
<https://standards.iteh.ai/catalog/standards/sist/9061f425-007e-4a78-8db3-f8ed7c9652e0/sist-ets-300-347-3-e2-2003>

Contents

Foreword	7
1 Scope	9
2 Normative references	9
3 Definitions and abbreviations	9
3.1 Definitions	9
3.2 Abbreviations	10
4 Test Suite Structure (TSS)	11
4.1 Overview	11
4.2 Test groups	12
4.2.1 Protocol groups	13
4.2.1.1 Control protocol	13
4.2.1.2 Public Switched Telephone Network (PSTN) protocol	13
4.2.1.3 Link control protocol	13
4.2.1.4 Bearer Channel Connection (BCC) protocol	13
4.2.1.5 Protection protocol	14
4.2.2 Main test groups	14
4.2.2.1 Basic Interconnection tests (IT)	14
4.2.2.2 Capability tests (CA)	14
4.2.2.3 Valid Behaviour tests (BV)	14
4.2.2.4 Inopportune Behaviour tests (BO)	14
4.2.2.5 Invalid Behaviour tests (BI)	14
4.2.2.6 Timer expiry and counter mismatch tests (TI)	14
4.2.2.6.1 Timers and counters of the Control protocol	14
4.2.2.6.2 Timers and counters of the PSTN protocol	14
4.2.2.6.3 Timers and counters of the Link control protocol	15
4.2.2.6.4 Timers and counters of the BCC protocol	15
4.2.2.6.5 Timers and counters of the Protection protocol	15
4.2.2.6.6 Timers and counters of the AN system management	15
4.3 Test step structure	15
4.3.1 State transitions	15
4.3.1.1 Start-up of V5.2 interface	16
4.3.1.2 Common control protocol (system management)	18
4.3.1.3 Control protocol (PSTN port FSM)	18
4.3.1.4 Control protocol (ISDN-BA port FSM)	18
4.3.1.5 Control protocol (ISDN-PRA port FSM)	18
4.3.1.6 PSTN protocol	18
4.3.1.7 Link control protocol	19
4.3.1.8 BCC protocol	19
4.3.1.9 Protection protocol	19
4.3.2 Preconditions	19
4.3.3 Preambles	19
4.3.4 Postambles	20
4.3.5 Status verification	20
4.3.5.1 PSTN protocol	20
4.3.5.2 Link control FSM	20
4.3.6 Common test steps	20
4.4 Defaults	20

4.5	Abstract Service Primitives (ASPs) and Protocol Data Units (PDUs).....	20
4.5.1	ASPs	20
4.5.2	PDUs	20
4.5.2.1	Common control protocol	20
4.5.2.2	Port control protocol.....	20
4.5.2.3	PSTN protocol	20
4.5.2.4	Link control protocol	20
4.5.2.5	BCC protocol	21
4.5.2.6	Protection protocol.....	21
4.5.3	Information elements.....	21
4.5.3.1	Variable length information elements	21
4.5.3.1.1	Control protocol.....	21
4.5.3.1.2	PSTN protocol	21
4.5.3.1.3	Link control protocol.....	21
4.5.3.1.4	BCC protocol.....	21
4.5.3.1.5	Protection protocol	21
4.5.3.2	Single octet information elements	22
4.5.3.2.1	Control protocol.....	22
4.5.3.2.2	PSTN protocol	22
4.5.3.2.3	Link control protocol.....	22
4.5.3.2.4	BCC protocol.....	22
4.5.3.2.5	Protection protocol	22
4.6	Timers and counters of the Abstract Test Suite (ATS).....	22
5	Test Purposes (TPs)	23
5.1	Introduction	23
5.1.1	Test purpose naming convention	23
5.1.2	Source of test purpose definition	24
5.1.3	Test strategy	24
5.1.3.1	Common control protocol	24
5.1.3.2	Port control protocol	24
5.1.3.3	PSTN protocol	24
5.1.3.4	Link control protocol	25
5.1.3.5	BCC protocol	25
5.1.3.6	Protection protocol	26
5.1.4	Requirements not covered by test purposes	26
5.1.5	Initial states	26
5.1.6	Test and data configuration requirements.....	27
5.2	Control protocol.....	27
5.2.1	Basic interconnection tests (V5NWKAN/CTRL/IT)	27
5.2.2	Capability tests (V5NWKAN/CTRL/CA)	27
5.2.3	Valid behaviour tests (V5NWKAN/CTRL/BV)	27
5.2.3.1	V5NWKAN/CTRL/BV/COM	27
5.2.3.2	V5NWKAN/CTRL/BV/PORT	28
5.2.3.2.1	V5NWKAN/CTRL/BV/PORT/TRANS	28
5.2.3.2.2	V5NWKAN/CTRL/BV/PORT/PSTN	28
5.2.3.2.3	V5NWKAN/CTRL/BV/PORT/ISDNBA	28
5.2.3.2.4	... V5NWKAN/CTRL/BV/PORT/ISDNPRA28	
5.2.4	Inopportune behaviour tests (V5NWKAN/CTRL/BO).....	29
5.2.4.1	V5NWKAN/CTRL/BO/COM.....	29
5.2.4.2	V5NWKAN/CTRL/BO/PORT	29
5.2.4.2.1	V5NWKAN/CTRL/BO/PORT/TRANS	29
5.2.4.2.2	V5NWKAN/CTRL/BO/PORT/PSTN.....	29
5.2.4.2.3	V5NWKAN/CTRL/BO/PORT/ISDNBA	30
5.2.4.2.4	... V5NWKAN/CTRL/BO/PORT/ISDNPRA30	
5.2.5	Invalid behaviour tests (V5NWKAN/CTRL/BI)	30
5.2.6	Timer expiry and counter mismatch tests (V5NWKAN/CTRL/TI)	30
5.3	PSTN protocol.....	30
5.4	Link control protocol.....	30
5.4.1	Basic interconnection tests (V5NWKAN/LINK/IT).....	30
5.4.2	Capability tests (V5NWKAN/LINK/CA).....	30

5.4.3	Valid behaviour tests (V5NWKAN/LINK/BV)	31
5.4.3.1	V5NWKAN/LINK/BV/TRANS	31
5.4.3.2	V5NWKAN/LINK/BV/LINK.....	31
5.4.4	Inopportune behaviour tests (V5NWKAN/LINK/BO).....	43
5.4.4.1	V5NWKAN/LINK/BO/TRANS	43
5.4.4.2	V5NWKAN/LINK/BO/LINK	43
5.4.5	Invalid behaviour tests (V5NWKAN/LINK/BI)	46
5.4.5.1	V5NWKAN/LINK/BI/TRANS.....	46
5.4.6	Timer expiry and counter mismatch tests (V5NWKAN/LINK/TI)	47
5.4.6.1	V5NWKAN/LINK/TI/TRANS.....	47
5.5	BCC protocol	47
5.5.1	Basic interconnection tests (V5NWKAN/BCC/IT).....	48
5.5.2	Capability tests (V5NWKAN/BCC/CA).....	48
5.5.3	Valid behaviour tests (V5NWKAN/BCC/BV).....	49
5.5.4	Inopportune behaviour tests (V5NWKAN/BCC/BO)	52
5.5.5	Invalid behaviour tests (V5NWKAN/BCC/BI).....	53
5.5.6	Timer expiry and counter mismatch tests (V5NWKAN/BCC/TI).....	55
5.6	Protection protocol.....	55
5.6.1	Basic interconnection tests (V5NWKAN/PROTECT/IT)	55
5.6.2	Capability tests (V5NWKAN/PROTECT/CA)	56
5.6.3	Valid behaviour tests (V5NWKAN/PROTECT/BV)	56
5.6.4	Inopportune behaviour tests (V5NWKAN/PROTECT/BO)	61
5.6.5	Invalid behaviour tests (V5NWKAN/PROTECT/BI)	61
5.6.6	Timer expiry and counter mismatch tests (V5NWKAN/PROTECT/TI).....	63
Annex A (informative):	Bibliography.....	65
History		66

ITeH STANDARD PREVIEW
(standards.iteh.ai)

[SIST ETS 300 347-3 E2:2003](https://standards.iteh.ai/catalog/standards/sist/9061f425-007e-4a78-8db3-f8ed7c9652e0/sist-ets-300-347-3-e2-2003)

<https://standards.iteh.ai/catalog/standards/sist/9061f425-007e-4a78-8db3-f8ed7c9652e0/sist-ets-300-347-3-e2-2003>

Blank page

iTeh STANDARD PREVIEW
(standards.iteh.ai)

SIST ETS 300 347-3 E2:2003

<https://standards.iteh.ai/catalog/standards/sist/9061f425-007e-4a78-8db3-f8ed7c9652e0/sist-ets-300-347-3-e2-2003>

Foreword

This European Telecommunication Standard (ETS) has been produced by the Signalling Protocols and Switching (SPS) Technical Committee of the European Telecommunications Standards Institute (ETSI).

This ETS is part 3 of a multi-part standard covering the V5.2 interface as described below:

- Part 1: "V5.2 interface specification";
- Part 2: "Protocol Implementation Conformance Statement (PICS) proforma";
- Part 3: "Test Suite Structure and Test Purposes (TSS&TP) specification for the network layer (AN side)";**
- Part 4: "Abstract Test Suite (ATS) and partial Protocol Implementation eXtra Information for Testing (PIXIT) proforma specification for the network layer (AN side)";
- Part 5: "Test Suite Structure and Test Purposes (TSS&TP) specification for the network layer (LE side)";
- Part 6: "Abstract Test Suite (ATS) and partial Protocol Implementation eXtra Information for Testing (PIXIT) proforma specification for the network layer (LE side)";
- Part 7: "Test Suite Structure and Test Purposes (TSS&TP) specification for the data link layer";
- Part 8: "Abstract Test Suite (ATS) and partial Protocol Implementation eXtra Information for Testing (PIXIT) proforma specification for the data link layer";
- Part 9: "Test specification for the physical layer".

iTeH STANDARD PREVIEW
(standards.iteh.ai)

Transposition dates	
Date of adoption of this ETS:	26 March 1999
Date of latest announcement of this ETS (doa):	30 June 1999
Date of latest publication of new National Standard or endorsement of this ETS (dop/e):	31 December 1999
Date of withdrawal of any conflicting National Standard (dow):	31 December 1999

Blank page

iTeh STANDARD PREVIEW
(standards.iteh.ai)

SIST ETS 300 347-3 E2:2003

<https://standards.iteh.ai/catalog/standards/sist/9061f425-007e-4a78-8db3-f8ed7c9652e0/sist-ets-300-347-3-e2-2003>

1 Scope

This third part of ETS 300 347 contains the Test Suite Structure and Test Purposes (TSS&TP) for the network layer and parts of the system management of the Access Network (AN) side of a V5.2 interface.

The objective of this ETS is to provide conformance tests giving a high probability of inter-operability of an AN and a Local Exchange (LE) from different manufacturers over the V5.2 interface. This ETS covers only the procedures described in ETS 300 347-1 [2].

ISO/IEC 9646-1 [4] and ISO/IEC 9646-2 [5] are used as the basis for the test methodology.

This ETS needs to be read in conjunction with ETS 300 324-3 [1]. The two documents share a common format and clauses within ETS 300 324-3 [1] are directly referenced.

Annex A lists the bibliography.

2 Normative references

This ETS incorporates by dated and undated reference, provisions from other publications. These normative references are cited at the appropriate places in the text and the publications are listed hereafter. For dated references, subsequent amendments to or revisions of any of these publications apply to this ETS only when incorporated in it by amendment or revision. For undated references the latest edition of the publication referred to applies.

- [1] ETS 300 324-3 (1999) including amendment A1: "V interfaces at the digital Local Exchange (LE); V5.1 interface for the support of Access Network (AN); Part 3: Test Suite Structure and Test Purposes (TSS&TP) specification for the network layer (AN side)".
- [2] ETS 300 347-1 (1994) including amendment A1: "V interfaces at the digital Local Exchange (LE); V5.2 interface for the support of Access Network (AN); Part 1: V5.2 interface specification".
- [3] ETS 300 347-2 (1994): "V interfaces at the digital Local Exchange (LE); V5.2 interface for the support of Access Network (AN); Part 2: Protocol Implementation Conformance Statement (PICS) proforma".
- [4] ISO/IEC 9646-1 (1995): "Information technology - Open systems interconnection - Conformance testing methodology and framework - Part 1: General concepts".
- [5] ISO/IEC 9646-2 (1995): "Information technology - Open systems interconnection - Conformance testing methodology and framework - Part 2: Abstract test suite specification".

3 Definitions and abbreviations

3.1 Definitions

For the purposes of this ETS, the following definitions apply, in addition to those given in ETS 300 324-3 [1] and ETS 300 347-1 [2]:

incorrect information element: A specified information element carrying information element types which are not defined in ETS 300 347-1 [2]

specified information element: Information element identifier as defined in ETS 300 347-1 [2]

unspecified information element: Information element identifier which is not defined in ETS 300 347-1 [2]

3.2 Abbreviations

For the purposes of this ETS, the following abbreviations apply:

AIS	Alarm Indication Signal
AN	Access Network
ASP	Abstract Service Primitive
ATS	Abstract Test Suite
BCC	Bearer Channel Connection
BI	Invalid Behaviour
BO	Inopportune Behaviour
BV	Valid Behaviour
CA	Capability
COM	Common control protocol
CTRL	Control
FE	Function Element
FSM	Finite State Machine
ID	Identifier
IE	Information Element
ISDN	Integrated Services Digital Network
ISDN-BA	ISDN Basic Access
ISDN-PRA	ISDN Primary Rate Access
IT	Basic Interconnection
IUT	Implementation Under Test
L3addr	Layer 3 address
LE	Local Exchange
LT1	Lower Tester 1
MDU	Management Data Unit
MPH	Management Physical layer
NWK	Network layer
PDU	Protocol Data Unit
PICS	Protocol Implementation Conformance Statement
PSTN	Public Switched Telephone Network
RAI	Remote Alarm Indication
REQ	Request
SN	Sequence Number
SUT	System Under Test
TE	Terminal Equipment (ISDN or PSTN)
TI	Timer
TP	Test Purpose
TS	Time Slot
TSS	Test Suite Structure
UP	User Port

4 Test Suite Structure (TSS)

4.1 Overview

Figure 1 shows the structure of the V5.2 NetWork layer (NWK) test suite.

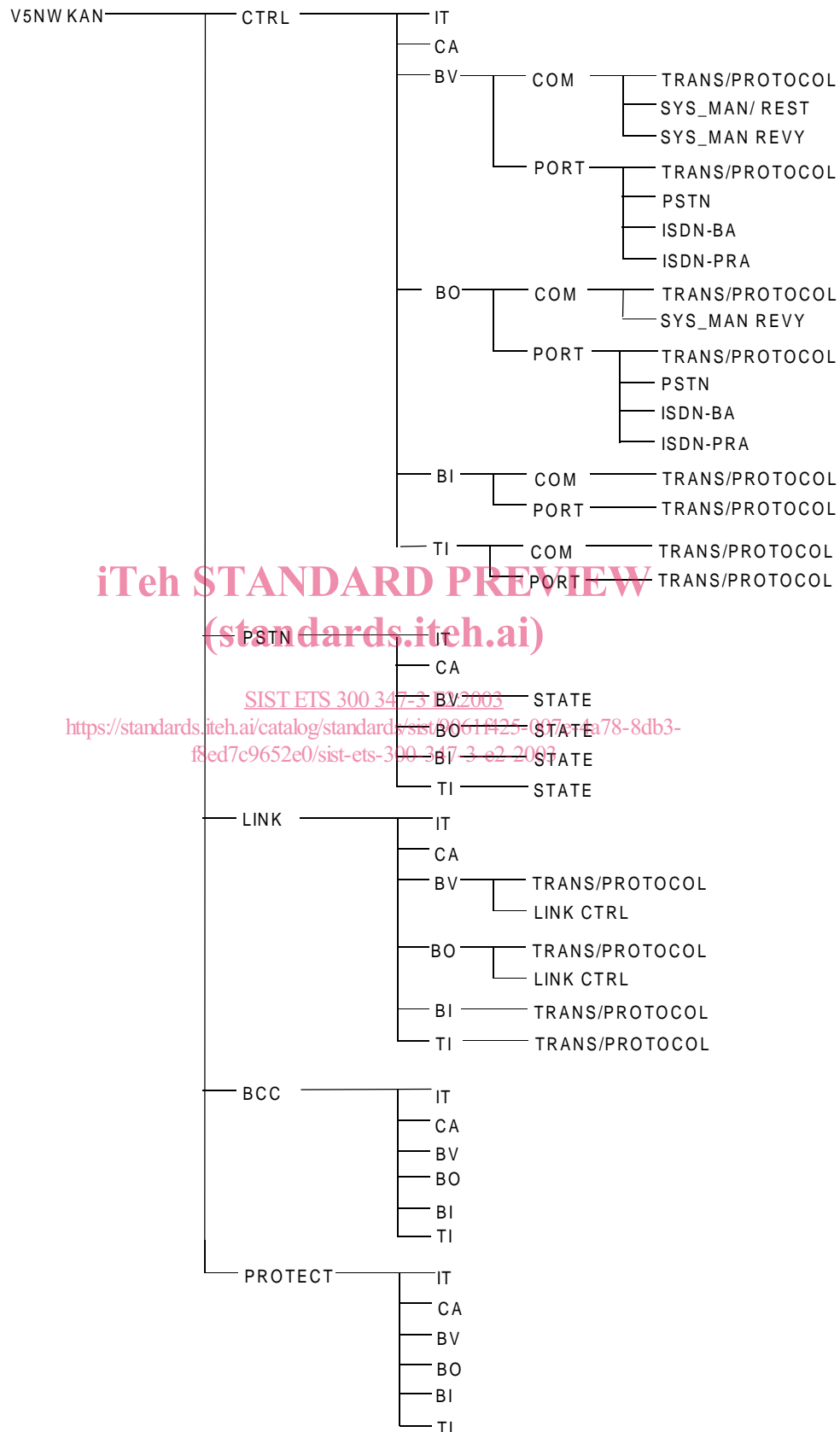


Figure 1: NWK AN test suite structure

4.2 Test groups

Figure 2 gives an overview of the various protocol entities of a V5.2 interface. Table 1 maps each protocol entity on tested protocol groups.

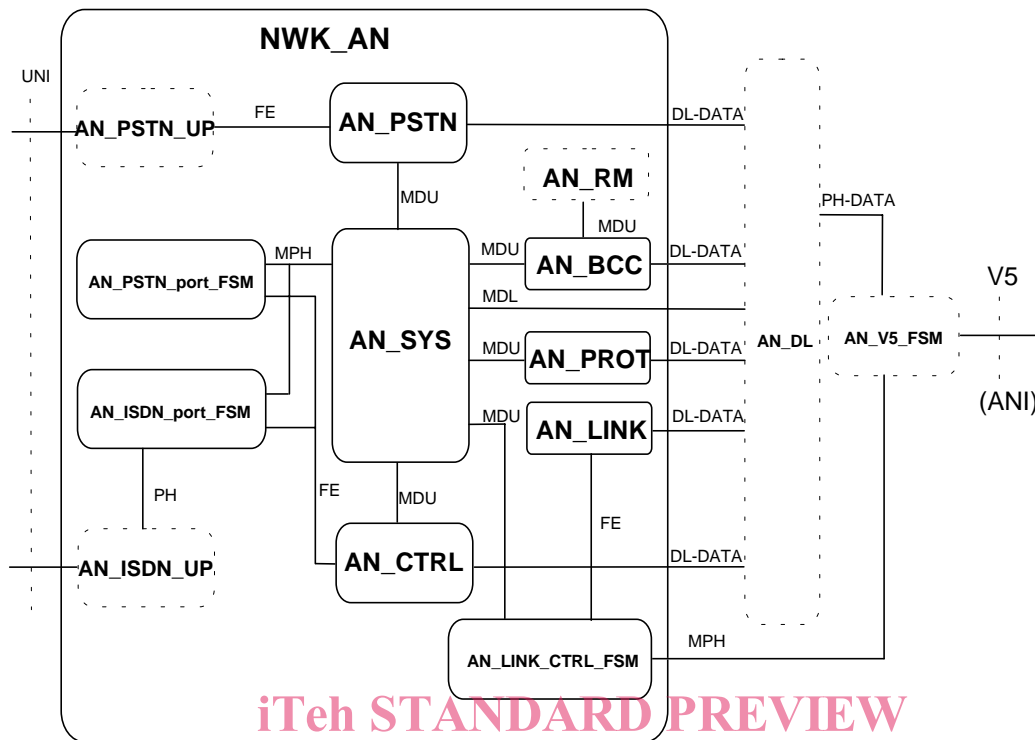


Figure 2: NWK AN - protocol entity overview

Table 1: Names used in figure 2 that correspond to ETS 300 347-1 [2]

Network layer protocol entity	Protocol entity defined in ETS 300 347-1 [2]	Protocol group reference
AN_PSTN_UP	AN_PSTN_user_port	4.2.1.1
AN_PSTN_port_FSM	AN_PSTN_user_port_FSM	4.2.1.1
AN_ISDN_port_FSM	AN_ISDN_BA_user_port_FSM AN_ISDN_PRA_user_port_FSM	4.2.1.1
AN_ISDN_UP	AN_ISDN_BA_user_port AN_ISDN_PRA_user_port	4.2.1.1
AN_CTRL	AN_control_protocol	4.2.1.1
AN_SYS	AN_system_management	4.2.1.1
AN_PSTN	AN_PSTN_protocol	4.2.1.2
AN_LINK	AN_link_control_protocol	4.2.1.3
AN_LINK_CTRL_FSM	AN_link_control_FSM	4.2.1.3
AN_RM	AN_resource_manager	4.2.1.4
AN_BCC	AN_BCC_protocol	4.2.1.4
AN_PROT	AN_protection_protocol	4.2.1.5

4.2.1 Protocol groups**4.2.1.1 Control protocol**

The contents of this subclause are identical to subclause 4.2.1.1 of ETS 300 324-3 [1] with the following additions for the ISDN-PRA user port Finite State Machine (FSM).

Depending on provisioning the following configuration is tested:

AN_ISDN-PRA_user_port:

The blocking, blocking request and co-ordinated unblocking procedures of the AN_ISDN-PRA_user_port_FSM are verified in the test group V5NWKAN/CTRL/BV/PORT/ISDNPRA and V5NWKAN/CTRL/BO/PORT/ISDNPRA.

4.2.1.2 Public Switched Telephone Network (PSTN) protocol

The contents of this subclause are identical to subclause 4.2.1.2 of ETS 300 324-3 [1].

4.2.1.3 Link control protocol

All tests in the Link control protocol (V5NWKAN/LINK) test group are intended to verify as thoroughly as possible the various procedures of the AN_link_control_protocol entity.

Depending on provisioning the following configurations are covered:

AN_link_control_protocol:

The normal and exceptional procedures of the AN_link_control_protocol are verified in the test groups V5NWKAN/LINK/BV/TRANS, V5NWKAN/LINK/BO/TRANS and V5NWKAN/LINK/TI/TRANS.

The error handling procedures are verified in the test group V5NWKAN/LINK/BI/TRANS.

AN_link_control_FSM:

The link blocking, link blocking request, co-ordinated link unblocking and link identification procedures of the AN_link_control_FSM are verified in the test groups V5NWKAN/LINK/BV/LINK and V5NWKAN/LINK/BO/LINK.

4.2.1.4 Bearer Channel Connection (BCC) protocol

All tests in the BCC protocol (V5NWKAN/BCC) test group are intended to verify as thoroughly as possible the various procedures of the AN_BCC protocol entity.

The following BCC procedures are covered:

- normal and exceptional bearer channel allocation procedure;
- normal and exceptional bearer channel de-allocation procedure;
- audit procedure;
- AN internal failure notification procedure;
- error handling procedures.