



SLOVENSKI STANDARD
SIST ETS 300 086:1998/A2:1998
01-oktober-1998

FUX]g_UcdfYa U]b'g]ghYa]'fF9GŁ!'G_i d]bUnU_cdYbg_Y'a cV]bY_ca i b] UWY!
HY\ b] bY'nbU]bcgh]'b'dfYg_i yU b]'dc[c]nUfUX]g_c'cdfYa c'n'bcfU b]a 'U]
ni bUb]a 'F: '_cbY_lcfYa žbUa YbYbc'dfYXj gYa 'UbUc[bYa i 'dfYbcgi '[c] cfU

Radio Equipment and Systems (RES); Land mobile group; Technical characteristics and test conditions for radio equipment with an internal or external RF connector intended primarily for analogue speech

iTeh STANDARD PREVIEW
(standards.iteh.ai)

<https://standards.iteh.ai/catalog/standards/sist/14cb20aa-d8bd-434e-9bd1-69eb92983b8f/sist-ets-300-086-1998-a2-1998>

Ta slovenski standard je istoveten z: ETS 300 086/A2 Edition 1

ICS:

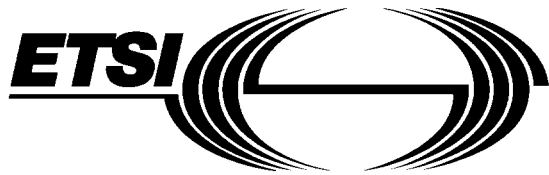
33.060.20	Sprejemna in oddajna oprema	Receiving and transmitting equipment
33.070.01	Mobilni servisi na splošno	Mobile services in general
33.100.01	Elektromagnetna združljivost na splošno	Electromagnetic compatibility in general

SIST ETS 300 086:1998/A2:1998 **en**

iTeh STANDARD PREVIEW
(standards.iteh.ai)

[SIST ETS 300 086:1998/A2:1998](https://standards.iteh.ai/catalog/standards/sist/14cb20aa-d8bd-434e-9bd1-69eb92983b8f/sist-ets-300-086-1998-a2-1998)

<https://standards.iteh.ai/catalog/standards/sist/14cb20aa-d8bd-434e-9bd1-69eb92983b8f/sist-ets-300-086-1998-a2-1998>



AMENDMENT

ETS 300 086

A2

March 1997

Source: ETSI TC-RES

Reference: RE/RES-02025

ICS: 33.020

Key words: Mobile, radio, speech, testing

**This amendment A2 modifies
the European Telecommunication Standard ETS 300 086 (1991)**

iTeh STANDARD PREVIEW

Radio Equipment and Systems (RES);

Land mobile group;

**Technical characteristics and test conditions for radio
equipment with an internal or external RF connector
intended primarily for analogue speech**

ETSI

European Telecommunications Standards Institute

ETSI Secretariat

Postal address: F-06921 Sophia Antipolis CEDEX - FRANCE

Office address: 650 Route des Lucioles - Sophia Antipolis - Valbonne - FRANCE

X.400: c=fr, a=atlas, p=etsi, s=secretariat - **Internet:** secretariat@etsi.fr

Tel.: +33 4 92 94 42 00 - Fax: +33 4 93 65 47 16

Copyright Notification: No part may be reproduced except as authorized by written permission. The copyright and the foregoing restriction extend to reproduction in all media.

© European Telecommunications Standards Institute 1997. All rights reserved.

iTeh STANDARD PREVIEW
(standards.iteh.ai)

[SIST ETS 300 086:1998/A2:1998](https://standards.iteh.ai/catalog/standards/sist/14cb20aa-d8bd-434e-9bd1-69eb92983b8f/sist-ets-300-086-1998-a2-1998)

<https://standards.iteh.ai/catalog/standards/sist/14cb20aa-d8bd-434e-9bd1-69eb92983b8f/sist-ets-300-086-1998-a2-1998>

Foreword

This amendment to ETS 300 086 (1991) has been produced by the Radio Equipment and Systems (RES) Technical Committee of the European Telecommunications Standards Institute (ETSI).

ETS 300 086 as amended by this amendment, together with ETS 300 279 is intended to become a Harmonized Standard the reference of which is intended to be published in the Official Journal of the European Communities, referencing Council Directive 89/336/EEC (EMC Directive).

Annex E contains the ERC Decision which references the technical specifications in this ETS for inclusion in national approval regulations.

Transposition dates	
Date of adoption:	21 February 1997
Date of latest announcement of this ETS (doa):	30 June 1997
Date of latest publication of new National Standard or endorsement of this ETS (dop/e):	31 December 1997
Date of withdrawal of any conflicting National Standard (dow):	31 December 1997

iTeh STANDARD PREVIEW (standards.iteh.ai)

[SIST ETS 300 086:1998/A2:1998](https://standards.iteh.ai/catalog/standards/sist/14cb20aa-d8bd-434e-9bd1-69eb92983b8f/sist-ets-300-086-1998-a2-1998)

<https://standards.iteh.ai/catalog/standards/sist/14cb20aa-d8bd-434e-9bd1-69eb92983b8f/sist-ets-300-086-1998-a2-1998>

Amendments

Page 7, Foreword

Replace the first paragraph with the following:

This European Telecommunication Standard (ETS) has been prepared by the Radio Equipment and Systems (RES) Technical Committee of the European Telecommunications Standards Institute (ETSI).

This ETS, together with ETS 300 279 is intended to become a Harmonized Standard the reference of which is intended to be published in the Official Journal of the European Communities, referencing Council Directive 89/336/EEC (EMC Directive).

Replace third paragraph with:

Angle modulation is used for radio equipment covered by this ETS, but individual national administrations are free to choose the type of modulation. Channel separations, maximum transmitter output power / effective radiated power, class of transmitter intermodulation attenuation and the inclusion of automatic transmitter shut-off facility may all be conditions relating to the issue of a licence by the appropriate administration.

Insert the following after the last paragraph:

The technical specifications which are relevant to the EMC Directive are listed in annex D.

Annex E contains the ERC Decision (ERC/DEC/(95)02), dated 1995, which references the technical specifications in ETS 300 086 for inclusion in national type approval regulations.

Page 23, subclause 5.4.1

Replace entire subclause with:

For tests at extreme temperatures, measurements shall be made in accordance with the procedures specified in subclause 5.5, at the upper and lower temperatures of the following range:

-20 °C to + 55 °C.

For the purpose of note (a) to table 1 in subclause 4.1.1, an additional reduced extreme temperature range of 0 °C to + 30 °C shall be used when appropriate.

Type test reports shall state the temperature range used.

Page 32, subclause 7.7.2

Replace figure 2 with:

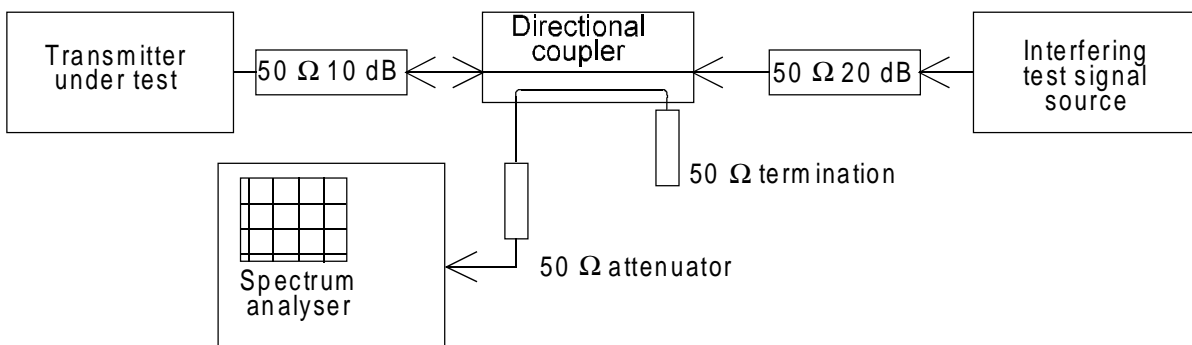


Figure 2: Measurement arrangement

Page 58

Insert the following before History:

Annex D (normative): ETS 300 086 Radio Equipment and Systems (RES); Land mobile group; Technical characteristics and test conditions for radio equipment with an internal or external RF connector intended primarily for analogue speech

Table D.1: Clauses and/or subclauses of this ETS relevant for compliance with essential requirements of the EC Council Directives

Clause/subclause number and title		Corresponding article of Council Directive 89/336/EEC	Qualifying remarks
4.1.6	Spurious emissions	4(a)	
4.2.9	Spurious radiations	4(a)	
4.2.6	Spurious response rejection	4(b)	
4.2.8	Blocking or desensitisation	4(b)	

iTeh STANDARD PREVIEW (standards.iteh.ai)

[SIST ETS 300 086:1998/A2:1998](https://standards.iteh.ai/catalog/standards/sist/14cb20aa-d8bd-434e-9bd1-69eb92983b8f/sist-ets-300-086-1998-a2-1998)

<https://standards.iteh.ai/catalog/standards/sist/14cb20aa-d8bd-434e-9bd1-69eb92983b8f/sist-ets-300-086-1998-a2-1998>

Annex E (normative): **ERC Decision of 1st December 1995 on the adoption of national type approval regulations for equipment to be used in the land mobile service using angle modulation based on the European Telecommunications Standard (ETS) 300 086 (ERC/DEC/(95)02)**

This annex contains the ERC Decision (ERC/DEC/(95)02), dated 1995, which references the technical specifications in ETS 300 086 [2] for inclusion in national type approval regulations.

iTeh STANDARD PREVIEW
(standards.iteh.ai)

[SIST ETS 300 086:1998/A2:1998](https://standards.iteh.ai/catalog/standards/sist/14cb20aa-d8bd-434e-9bd1-69eb92983b8f/sist-ets-300-086-1998-a2-1998)

<https://standards.iteh.ai/catalog/standards/sist/14cb20aa-d8bd-434e-9bd1-69eb92983b8f/sist-ets-300-086-1998-a2-1998>

EUROPEAN RADIOCOMMUNICATIONS COMMITTEE

ERC Decision
of 1st December 1995
on the adoption of national type approval regulations for
equipment to be used in
the land mobile service using angle modulation
based on the European Telecommunications Standard
(ETS) 300 086
(ERC/DEC/(95)02)

