



TECHNICAL SPECIFICATION

**Electromagnetic compatibility
and Radio spectrum Matters (ERM);
Peer-to-Peer Digital Private Mobile Radio using FDMA
with a channel spacing of 6,25 kHz with e.r.p. of up to 500 mW**

PREVIEW
https://standards.iteh.ai/standards/etsi/ts-102-490-v1.9.1-
abd0-4388-b92e-fc3ba7d0-2016-08-01

ReferenceRTS/ERM-TGDMR-355

Keywords

air interface, digital, FDMA, PMR, protocol, radio

ETSI

650 Route des Lucioles
F-06921 Sophia Antipolis Cedex - FRANCE

Tel.: +33 4 92 94 42 00 Fax: +33 4 93 65 47 16

Siret N° 348 623 562 00017 - NAF 742 C
Association à but non lucratif enregistrée à la
Sous-Préfecture de Grasse (06) N° 7803/88

Important notice

The present document can be downloaded from:

<http://www.etsi.org/standards-search>

The present document may be made available in electronic versions and/or in print. The content of any electronic and/or print versions of the present document shall not be modified without the prior written authorization of ETSI. In case of any existing or perceived difference in contents between such versions and/or in print, the only prevailing document is the print of the Portable Document Format (PDF) version kept on a specific network drive within ETSI Secretariat.

Users of the present document should be aware that the document may be subject to revision or change of status.

Information on the current status of this and other ETSI documents is available at

<https://portal.etsi.org/TB/ETSIDeliverableStatus.aspx>

If you find errors in the present document, please send your comment to one of the following services:

<https://portal.etsi.org/People/CommitteeSupportStaff.aspx>

Copyright Notification

No part may be reproduced or utilized in any form or by any means, electronic or mechanical, including photocopying and microfilm except as authorized by written permission of ETSI.

The content of the PDF version shall not be modified without the written authorization of ETSI.

The copyright and the foregoing restriction extend to reproduction in all media.

© European Telecommunications Standards Institute 2016.

All rights reserved.

DECT™, **PLUGTESTS™**, **UMTS™** and the ETSI logo are Trade Marks of ETSI registered for the benefit of its Members.
3GPP™ and **LTE™** are Trade Marks of ETSI registered for the benefit of its Members and of the 3GPP Organizational Partners.
GSM® and the GSM logo are Trade Marks registered and owned by the GSM Association.

Contents

Intellectual Property Rights	7
Foreword.....	7
Modal verbs terminology.....	7
1 Scope	8
2 References	8
2.1 Normative references	8
2.2 Informative references.....	8
3 Definitions, symbols and abbreviations	9
3.1 Definitions.....	9
3.2 Symbols.....	10
3.3 Abbreviations	10
4 Overview	11
4.0 General	11
4.1 Protocol architecture.....	12
4.1.0 General.....	12
4.1.1 Air Interface Physical Layer (layer 1).....	13
4.1.2 Air Interface Data Link Layer (layer 2)	13
4.1.3 Air Interface Call Control Layer (layer 3).....	13
4.2 FDMA Structure.....	14
4.2.1 Overview of the transmission structure.....	14
4.2.2 Transmission format	14
4.2.3 Transmission sequences.....	15
5 Frame coding.....	17
5.1 Superframe	17
5.2 Header frame	18
5.3 End frame	18
5.4 Packet data header	18
5.5 ACK frame	19
5.6 Frame numbering	20
5.7 Communication mode	20
5.8 Communication format.....	20
5.9 SLD format.....	20
5.9.0 General.....	20
5.9.1 Slow data in the voice superframe	21
5.9.2 Slow data field use with Type 1 or 2 data.....	21
5.10 Call information	22
5.10.0 General.....	22
5.10.1 Call Information for powersave	22
5.10.2 Call Information for Types 1 and 2 data	22
5.10.3 Call Information for Type 3 (packet) data	23
5.10.4 Call Information for system transactions	24
5.10.5 Call Information for acknowledgements.....	24
5.11 Header type	24
5.12 End type	25
5.13 ARQ	25
5.14 Tx Wait.....	25
5.15 Status	25
5.16 Version [V].....	26
6 Synchronization.....	26
6.1 Frame synchronization	26
6.1.1 FS1.....	26
6.1.2 FS2.....	26
6.1.3 FS3.....	26

6.1.4	FS4.....	26
6.1.5	Channel code	27
6.1.6	Preamble	29
7	Interleaving and FEC coding.....	29
7.1	Di-bit coding	29
7.2	CRC addition.....	29
7.3	Hamming code	29
7.4	Scrambling	30
7.5	Interleaving.....	30
7.6	FEC coding of CCH (superframe).....	31
7.7	FEC coding of HI (header information)	32
7.8	FEC coding of END information	32
8	Bearer services, tele-services and supplementary services	32
8.1	Initial mode	32
8.1.0	General.....	32
8.1.1	Initial addressing.....	33
8.1.1.0	General	33
8.1.1.1	Common ID.....	33
8.1.1.2	Fixed part of address	33
8.1.2	ISF channel codes	33
8.2	Configured mode.....	33
8.2.0	General.....	33
8.2.1	Call types	34
8.2.1.1	Individual call	34
8.2.1.2	Group call.....	34
8.2.2	Addressing	34
8.2.3	CSF channel codes.....	34
8.3	Packet data.....	35
8.3.1	Format.....	35
8.3.2	Receiving party	35
8.3.3	Packet frame coding.....	35
8.3.4	Data frame size	36
8.3.5	Valid data length.....	36
8.3.6	Data checksum.....	37
9	Channel coding process.....	39
9.0	General	39
9.1	Voice superframe	39
9.2	Type 1 data superframe	42
9.3	Type 2 Data superframe	44
9.4	Type 3 (Packet) Data frame.....	45
9.5	Headers.....	47
9.6	End frames.....	48
10	Channel access	49
10.1	Listen Before Transmit (LBT).....	49
10.2	Hang time messages and timers	50
10.2.1	Definition.....	50
10.2.2	Action by receiving stations.....	50
10.2.3	Break-in requests	50
10.3	Call duration timers	50
10.4	Transmit admit criteria	50
10.4.1	General admit criteria	50
10.4.2	ISF admit criteria	51
10.4.3	CSF admit criteria.....	51
10.5	Transmission re-tries	51
10.6	Channel access timers and constants	51
10.6.1	Timers.....	51
10.6.2	Constants	52
11	Powersave.....	52
11.1	Transmitted format.....	52

11.2	Receive format	53
12	Physical Layer	53
12.1	General parameters	53
12.1.0	General	53
12.1.1	Frequency range	53
12.1.2	RF carrier bandwidth	53
12.1.3	Transmit frequency error	53
12.1.4	Time base clock drift error	53
12.2	Modulation	54
12.2.1	Symbols	54
12.2.2	4FSK generation	54
12.2.2.0	General	54
12.2.2.1	Deviation index	54
12.2.2.2	Square root raised cosine filter	55
12.2.2.3	4FSK Modulator	56
Annex A (normative): Standard User Interface for CSF radios.....		57
A.0	General	57
A.1	Numbering and dialling plan	57
A.1.1	Introduction to the numbering and dialling plan	57
A.2	Subscriber mapping	58
A.2.1	User Interface - Air Interface	58
A.2.1.0	General	58
A.2.1.1	Mapping for MS address space	59
A.2.1.1.0	General	59
A.2.1.1.1	The concept of the wildcard character	59
A.2.1.1.2	The concept of stored parameters	60
A.2.1.1.3	The concept of ad-hoc arrangement	60
A.2.1.1.4	The rules for the sender	60
A.2.1.1.5	The rules for the recipient	60
A.2.1.1.6	Mapping of dialled strings to the AI address space	60
A.2.1.1.6.0	General	60
A.2.1.1.6.1	Mapping of numeric dialled strings to the AI address space	61
A.2.2	Addresses	62
A.2.3	Conversion rules	62
A.2.3.1	MS addresses	62
A.2.3.2	Limiting the length of the destination address	62
A.2.3.3	All talkgroup address	62
A.3	User dialling plan	63
A.3.1	User numbering	63
A.3.1.0	General	63
A.3.1.1	Dialling method	63
A.3.1.2	Call Type determination	63
A.3.1.3	Call modifier strings	63
A.3.2	Dialled digits to address mapping	63
A.3.3	Storage requirements	64
A.3.3.1	MS individual address	64
A.3.3.2	Dialled Talkgroups	64
A.3.3.3	All MSs	64
A.3.3.4	Non-dialable numbers	64
A.3.3.5	Talkgroup recognition	64
A.3.3.5.1	All numeric talkgroups	64
A.3.3.5.2	Talkgroups defined by wildcards	65
A.3.3.5.3	MS receives a talkgroup call	65
A.3.4	Dialling procedures	65
A.3.4.1	MS calls	65
A.3.4.1.1	Seven digit dialling	65
A.3.4.1.2	Abbreviated dialling	66
A.3.4.1.3	Masked dialling	66

A.3.4.1.4	Dialling with numbers and wildcards.....	67
A.3.4.2	Call modifiers	67
A.3.4.2.0	General	67
A.3.4.2.1	Broadcast call.....	67
A.3.4.2.2	Status call.....	67
A.3.4.2.3	Force talkgroup service	68
A.3.4.3	Call set-up abandon or call complete.....	68
History		69

iTeh STANDARD PREVIEW
(standards.iteh.ai)

Full standard:
<https://standards.iteh.ai/catalog/standards/sist/fa3961ae-abd0-4388-b92e-fc3ba7dc5fea/etsi-ts-102-490-v1.9.1-2016-08>

Intellectual Property Rights

IPRs essential or potentially essential to the present document may have been declared to ETSI. The information pertaining to these essential IPRs, if any, is publicly available for **ETSI members and non-members**, and can be found in ETSI SR 000 314: *"Intellectual Property Rights (IPRs); Essential, or potentially Essential, IPRs notified to ETSI in respect of ETSI standards"*, which is available from the ETSI Secretariat. Latest updates are available on the ETSI Web server (<https://ipr.etsi.org/>).

Pursuant to the ETSI IPR Policy, no investigation, including IPR searches, has been carried out by ETSI. No guarantee can be given as to the existence of other IPRs not referenced in ETSI SR 000 314 (or the updates on the ETSI Web server) which are, or may be, or may become, essential to the present document.

Foreword

This Technical Specification (TS) has been produced by ETSI Technical Committee Electromagnetic compatibility and Radio spectrum Matters (ERM).

Modal verbs terminology

In the present document "**shall**", "**shall not**", "**should**", "**should not**", "**may**", "**need not**", "**will**", "**will not**", "**can**" and "**cannot**" are to be interpreted as described in clause 3.2 of the [ETSI Drafting Rules](#) (Verbal forms for the expression of provisions).

"**must**" and "**must not**" are **NOT** allowed in ETSI deliverables except when used in direct citation.

iTeh STANDARD PREVIEW
(standards.iteh.ai)
Full standard:
<https://standards.iteh.ai/catalog/standards/sist/102-490-v1-9-1-2016-08>
abd0-4388-b92e-fc3ba7dc5fea/etsi-ts-102-490-v1-9-1-2016-08

1 Scope

The present document covers digital private mobile radio equipment operating in peer-to-peer mode only.

The equipment is based on FDMA with channel spacing of 6,25 kHz supporting voice and data applications.

It covers only hand portable equipment complying with ETSI EN 303 405 [1] and having an integral antenna.

This equipment is for use:

- i) In accordance with ECC/DEC/(15)05 [i.1] the harmonised frequency range 446,0 MHz to 446,2 MHz, technical characteristics, exemption from individual licensing and free carriage and use of analogue and digital PMR 446 applications.

NOTE 1: The technical requirements for Digital PMR 446 included in ECC/DEC/(05)12 [i.1] are: handheld only operation in the frequency range 446,000 MHz to 446,200 MHz, maximum e.r.p. of 500 mW, and a maximum transmitter time-out-time of 180 seconds.

- ii) In the frequency band 149,01875 MHz to 149,11875 MHz under exemption from individual licensing.

NOTE 2: These requirements are: maximum e.r.p. of 500 mW, and a maximum transmitter time-out-time of 180 seconds.

2 References

2.1 Normative references

References are either specific (identified by date of publication and/or edition number or version number) or non-specific. For specific references, only the cited version applies. For non-specific references, the latest version of the referenced document (including any amendments) applies.

Referenced documents which are not found to be publicly available in the expected location might be found at <https://docbox.etsi.org/Reference/>.

NOTE: While any hyperlinks included in this clause were valid at the time of publication, ETSI cannot guarantee their long term validity.

The following referenced documents are necessary for the application of the present document.

- [1] ETSI EN 303 405: "Land Mobile Service; Analogue and Digital PMR446 Equipment Harmonised Standard covering the essential requirements of article 3.2 of the Directive 2014/53/EU".
- [2] Void.
- [3] ETSI ETS 300 230: "Radio Equipment and Systems (RES); Land mobile service; Binary Interchange of Information and Signalling (BIIS) at 1200 bit/s (BIIS 1 200)".
- [4] MPT 1327 (June 1997): "A Signalling Standard for Trunked Private Land Mobile Radio Systems".

2.2 Informative references

References are either specific (identified by date of publication and/or edition number or version number) or non-specific. For specific references, only the cited version applies. For non-specific references, the latest version of the referenced document (including any amendments) applies.

NOTE: While any hyperlinks included in this clause were valid at the time of publication, ETSI cannot guarantee their long term validity.

The following referenced documents are not necessary for the application of the present document but they assist the user with regard to a particular subject area.

- [i.1] CEPT ECC/DEC/(15)05 (3 July 2015): "The harmonised frequency range 446.0-446.2 MHz, technical characteristics, exemption from individual licensing and free carriage and use of analogue and digital PMR 446 applications".

3 Definitions, symbols and abbreviations

3.1 Definitions

For the purposes of the present document, the following terms and definitions apply:

bearer service: type of telecommunication service that provides the capability for the information transfer between user network interfaces, involving only low layer functions (layers 1 to 3 of the OSI model)

NOTE: Confirmed Data and Unconfirmed Data are examples of bearer services.

burst: short duration RF signal that may cause interference to a dPMR™ transmission item

call: complete sequence of related transactions between radios

NOTE: Transactions may be one or more items containing specific call related information.

Configured Services and Facilities (CSF): those functions available in the radio after re-programming

Control plane (C-plane): part of the protocol stack dedicated to control and data services

feature: attribute intrinsic to a station, e.g. MS has an address

Handportable Station (HS): physical grouping that contains all of the mobile equipment that is used to obtain dPMR™ mobile services and operating with an integral antenna

initial services and facilities: those functions available in the radio at point of sale (out-of-the box functions)

late entry: where receiving stations that have missed the start of a transmission are able to recover all information about the call from data that is interspersed within each superframe

logical channel: distinct data path between logical endpoints

payload: bits in the information field

peer-to-peer mode: mode of operation where radios may communicate outside the control of a network

NOTE: This is communication technique where any radio unit may communicate with one or more other radio units without the need for any additional equipment (e.g. BS).

personalization: address and configuration information that characterizes a particular dPMR™ HS

NOTE: This information may be implanted by the installer before putting an HS into service.

physical channel: FDMA transmission

polite protocol: Listen Before Transmit (LBT) protocol

NOTE: This is a medium access protocol that implements a LBT function in order to ensure that the channel is free before transmitting.

prefix: most significant digit of a HS address in the user domain

Protocol Data Unit (PDU): unit of information consisting of protocol control information (signalling) and possibly user data exchanged between peer protocol layer entities

radio frequency channel: radio frequency carrier (RF carrier)

NOTE: This is a specified portion of the RF spectrum. The RF carrier separation is 6,25 kHz.

Received Signal Strength Indication (RSSI): root mean squared value of the signal received at the receiver antenna

signalling: exchange of information specifically concerned with the establishment and control of connections, and with management, in a telecommunication network

simplex: mode of working by which information can be transferred in both directions but not at the same time

NOTE: Simplex is also known as half duplex.

superframe: four concatenated FDMA frames

NOTE: A superframe has a length of 320 ms.

supplementary service: supplementary service modifies or supplements a tele-service or bearer service

NOTE: Consequently, it cannot be offered to a user as a standalone service. It is offered together with or in association with a tele-service or bearer service. The same supplementary service may be common to a number of telecommunication services. Late entry is an example of supplementary service.

telecommunication service: offered by a dPMR™ entity in order to satisfy a specific telecommunication requirement

tele-service: type of telecommunication service that provides the complete capability, including terminal equipment functions, for communication between users

NOTE: Individual voice calls and group voice calls are examples of tele-services.

user numbering: decimal representation of dPMR™ air interface addresses, as seen by the user, i.e. user visible numbering

User plane (U-plane): part of the protocol stack dedicated to user voice services

vocoder socket: 216 bits vocoder payload

wildcard: character in the user domain that represents all digits 0 to 9

3.2 Symbols

For the purposes of the present document, the following symbols apply:

B_2	algorithm that converts HS dialable talkgroup addresses between the User Interface and the Air Interface
dBm	absolute power level relative to 1 mW, expressed in dB
dBp	power relative to the average power transmitted during an item in deciBel
Eb	Energy per bit
No	Noise per Hz

3.3 Abbreviations

For the purposes of the present document, the following abbreviations apply:

4FSK	Four-level Frequency Shift Keying
ACK	ACKnowledgment
AI	Air Interface
ARQ	Automatic Retransmission reQuest
CC	Channel Code
CCH	Control CHannel
CCITT	Comité Consultatif International Téléphonique et Télégraphique
CCL	Call Control Layer
CI	Call Information

CM	Communications Mode
Cont	Continuation flag
C-plane	Control-plane
CRC	Cyclic Redundancy Checksum for data error detection
CRC-D	Cyclic Redundancy Check - Data field
CSF	Configured Services and Facilities
CTCSS	Continuous Tone Carrier Squelch System
Di-bit	2 bits grouped together to represent a 4-level symbol
DLL	Data Link Layer
DP	Data Position
dPMR™	digital Private Mobile Radio
e.r.p.	effective radiated power
ESN	Electronic Serial Number
ET	End Type
FDMA	Frequency Division Multiple Access
FEC	Forward Error Correction
FN	Frame Numbering
FS	Frame Sync
FSK	Frequency Shift Keying
HI	Header Information
HS	Handportable Station
HSs	Handheld Station
HT	Header Type
ID	IDentifier
IP	Internet Protocol
ISF	Initial Services and Facilities
LBT	Listen Before Transmit
LEN	data byte Length
MFID	Manufacturer's FID
MMI	Man Machine Interface
MS	Mobile Station
MSB	Most Significant Bit
NACK	Negative ACKnowledgment
OACSU	Off Air Call Set Up
OSI	Open System Interconnection
PAR	Parameter data
PDF	Packet Data Format
pdM	Number of packet data frames
PDU	Protocol Data Unit
PL	Physical Layer
PMR	Private Mobile Radio
PTT	Push-To-Talk
RES	Radio Equipment and Systems
RF	Radio Frequency
RSSI	Received Signal Strength Indication
SF	SuperFrame
SLD	SLOw Data
SYNC	SYNChronization
TBD	To Be Done
TCH	Traffic CHannel
U-plane	User-plane

4 Overview

4.0 General

The present document describes a narrow band Digital Private Mobile Radio system which employs a Frequency Division Multiple Access (FDMA) technology with an RF carrier bandwidth of 6,25 kHz.

The present document describes the Physical Layer (PL) and the Data Link Layer (DLL) of the Air Interface (AI) as well as the standardized services and facilities of the radio. Radio equipments which conform to the present document shall be interoperable at the PL and DLL with equipment from other manufacturers.

The present document describes 2 levels of functionality (services and facilities) that can be offered by the equipment. For the purposes of interoperability, a basic level of services and facilities (ISF) is defined along with a simplified mode of addressing such that all radios shall be capable of interoperating without the need for any set-up or programming at the point of sale. An advanced level of services and facilities (CSF) is also defined for those equipments that can be re-programmed to offer a higher level of functionality.

Where manufacturers have declared compliance to the "Standard User Interface" for CSF radios, the MMI shall also comply with the relevant requirements of annex A.

The present document does not provide the specification or operational detail for system implementations which include but are not limited to, vocoder, security, data, and other interfaces.

4.1 Protocol architecture

4.1.0 General

The purpose of this clause is to provide a model where the different functions and processes are identified and allocated to different layers in the protocol stack.

The protocol stack in this clause and all other related clauses describe and specify the interfaces, but this stack does not imply or restrict any implementation.

The protocol architecture which is defined herein follows the generic layered structure, which is accepted for reference description and specification of layered communication architectures.

The present document defines the protocols for the following 3-layered model as shown in figure 1.

The base of the protocol stack is the Physical Layer (PL) which is the layer 1.

The Data Link Layer (DLL), which is the layer 2, shall handle sharing of the medium by a number of users. At the DLL, the protocol stack shall be divided vertically into two parts, the User plane (U-plane), for transporting information without addressing capability (e.g. voice or data stream), and the Control plane (C-plane) for signalling with addressing capability, as illustrated by figure 1.

The Call Control Layer (CCL), which is layer 3, lies in the C-plane and is responsible for control of the call (addressing, facilities, etc.), provides the services supported by the radio, and supports the Data Service. U-plane access at layer 2 (DLL) supports voice service.

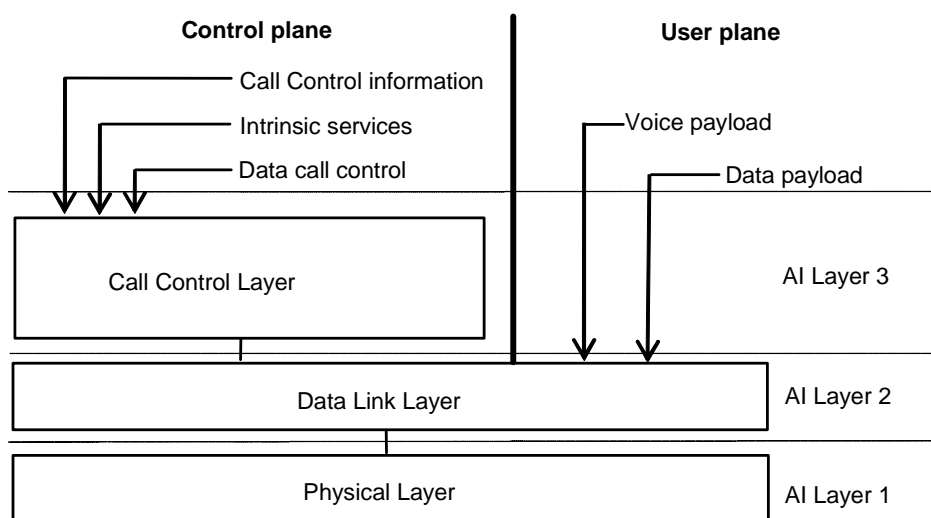


Figure 1: Protocol stack

4.1.1 Air Interface Physical Layer (layer 1)

The Air Interface layer 1 shall be the physical interface. It shall deal with the physical transmission, composed of bits, which is to be sent and/or received. The Physical Layer is described in clause 12. The Air Interface layer 1 shall contain the following functions:

- modulation and demodulation;
- transmitter and receiver switching;
- RF characteristics;
- bits and symbol definition;
- frequency and symbol synchronization;
- transmission item building.

4.1.2 Air Interface Data Link Layer (layer 2)

The Air Interface layer 2 shall handle logical connections and shall hide the physical medium from the upper layers. The Data Link Layer is described in clauses 7 to 10.

The main functions are as follows:

- channel coding (FEC, CRC);
- interleaving, de-interleaving and bit ordering;
- acknowledgement and retry mechanism;
- media access control and channel management;
- framing, superframe building and synchronization;
- transmission and parameter definition;
- link addressing (source and/or destination);
- interfacing of voice applications (vocoder data) with the PL;
- data bearer services;
- exchanging signalling and/or user data with the CCL.

4.1.3 Air Interface Call Control Layer (layer 3)

Air Interface layer 3 (CCL) is applicable only to the C-plane, and shall be an entity for the services and facilities supported by the radio on top of the layer 2 functionality.

The CCL provides the following functions:

- establishing, maintaining and terminating of calls;
- individual or group call transmission and reception;
- destination addressing;
- support of intrinsic services (late entry, call divert, etc.);
- data call control.