



**iTeh STANDARD PREVIEW**  
**(standards.iteh.ai)**

SIST EN ISO 1522:2001

<https://standards.iteh.ai/catalog/standards/sist/92c3546b-9a9c-4c03-baef-a53ce48b9085/sist-en-iso-1522-2001>

EUROPEAN STANDARD  
NORME EUROPÉENNE  
EUROPÄISCHE NORM

EN ISO 1522

March 2000

ICS 87.040

English version

## Paints and varnishes - Pendulum damping test (ISO 1522:1997)

Peintures et vernis - Essai d'amortissement du pendule  
(ISO 1522:1997)

Beschichtungsstoffe - Pendeldämpfungsprüfung (ISO  
1522:1997)

This European Standard was approved by CEN on 1 March 2000.

CEN members are bound to comply with the CEN/CENELEC Internal Regulations which stipulate the conditions for giving this European Standard the status of a national standard without any alteration. Up-to-date lists and bibliographical references concerning such national standards may be obtained on application to the Central Secretariat or to any CEN member.

This European Standard exists in three official versions (English, French, German). A version in any other language made by translation under the responsibility of a CEN member into its own language and notified to the Central Secretariat has the same status as the official versions.

CEN members are the national standards bodies of Austria, Belgium, Czech Republic, Denmark, Finland, France, Germany, Greece, Iceland, Ireland, Italy, Luxembourg, Netherlands, Norway, Portugal, Spain, Sweden, Switzerland and United Kingdom.

iTeh STANDARD PREVIEW  
(standards.iteh.ai)

SIST EN ISO 1522:2001

<https://standards.iteh.ai/catalog/standards/sist/92c3546b-9a9c-4c03-baef-a53ce48b9085/sist-en-iso-1522-2001>



EUROPEAN COMMITTEE FOR STANDARDIZATION  
COMITÉ EUROPÉEN DE NORMALISATION  
EUROPÄISCHES KOMITEE FÜR NORMUNG

Central Secretariat: rue de Stassart, 36 B-1050 Brussels

Page 2  
EN ISO 1522:2000

## Foreword

The text of the International Standard from Technical Committee ISO/TC 35 "Paints and varnishes" of the International Organization for Standardization (ISO) has been taken over as an European Standard by Technical Committee CEN/TC 139 "Paints and varnishes", the secretariat of which is held by DIN.

This European Standard shall be given the status of a national standard, either by publication of an identical text or by endorsement, at the latest by September 2000, and conflicting national standards shall be withdrawn at the latest by September 2000.

According to the CEN/CENELEC Internal Regulations, the national standards organizations of the following countries are bound to implement this European Standard: Austria, Belgium, Czech Republic, Denmark, Finland, France, Germany, Greece, Iceland, Ireland, Italy, Luxembourg, Netherlands, Norway, Portugal, Spain, Sweden, Switzerland and the United Kingdom.

## Endorsement notice

The text of the International Standard ISO 1522:1997 has been approved by CEN as a European Standard without any modification.

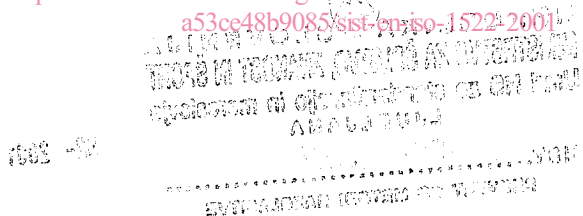
NOTE: Normative references to International Standards are listed in annex ZA (normative).

**iTeh STANDARD PREVIEW**  
**(standards.iteh.ai)**

SIST EN ISO 1522:2001

<https://standards.iteh.ai/catalog/standards/sist/92c3546b-9a9c-4c03-baef->

[a53ce48b9085/sist-en-iso-1522-2001](https://standards.iteh.ai/catalog/standards/sist/92c3546b-9a9c-4c03-baef-a53ce48b9085/sist-en-iso-1522-2001)



**Annex ZA (normative)**  
**Normative references to international publications**  
**with their relevant European publications**

This European Standard incorporates by dated or undated reference, provisions from other publications. These normative references are cited at the appropriate places in the text and the publications are listed hereafter. For dated references, subsequent amendments to or revisions of any of these publications apply to this European Standard only when incorporated in it by amendment or revision. For undated references the latest edition of the publication referred to applies.

<u>Publication</u>	<u>Year</u>	<u>Title</u>	<u>EN</u>	<u>Year</u>
ISO 1512	1991	Paints and varnishes - Sampling of products in liquid or paste form	EN 21512	1994
ISO 1513	1992	Paints and varnishes - Examination and preparation of samples for testing	EN ISO 1513	1994
ISO 1514	1993	Paints and varnishes - Standard panels for testing	EN ISO 1514	1997
ISO 3270	1984	Paints and varnishes and their raw materials - Temperatures and humidities for conditioning and testing	EN 23270	1991
ISO 2808	1997	Paints and varnishes - Determination of film thickness	EN ISO 2808	1999

**iTeh STANDARD PREVIEW**  
**(standards.iteh.ai)**

[SIST EN ISO 1522:2001](#)

<https://standards.iteh.ai/catalog/standards/sist/92c3546b-9a9c-4c03-baef-a53ce48b9085/sist-en-iso-1522-2001>

# INTERNATIONAL STANDARD

**ISO  
1522**

Second edition  
1998-03-15

---

---

## Paints and varnishes — Pendulum damping test

*Peintures et vernis — Essai d'amortissement du pendule*

**iTeh STANDARD PREVIEW**  
**(standards.iteh.ai)**

SIST EN ISO 1522:2001

<https://standards.iteh.ai/catalog/standards/sist/92c3546b-9a9c-4c03-baef-a53ce48b9085/sist-en-iso-1522-2001>



Reference number  
ISO 1522:1998(E)

## ISO 1522:1998(E)

## Foreword

ISO (the International Organization for Standardization) is a worldwide federation of national standards bodies (ISO member bodies). The work of preparing International Standards is normally carried out through ISO technical committees. Each member body interested in a subject for which a technical committee has been established has the right to be represented on that committee. International organizations, governmental and non-governmental, in liaison with ISO, also take part in the work. ISO collaborates closely with the International Electrotechnical Commission (IEC) on all matters of electrotechnical standardization.

Draft International Standards adopted by the technical committees are circulated to the member bodies for voting. Publication as an International Standard requires approval by at least 75 % of the member bodies casting a vote.

International Standard ISO 1522, was prepared by Technical Committee ISO/TC 35, *Paints and varnishes*, Subcommittee SC 9, *General test methods for paints and varnishes*.

This second edition cancels and replaces the first edition (ISO 1522:1973) in which, for both the König and the Persoz pendulum, the time for damping on a polished glass panel has been provided with upper and lower limits. In addition, the standard has been editorially revised.

Annexes A, B and C form an integral part of this International Standard.

© ISO 1998

All rights reserved. Unless otherwise specified, no part of this publication may be reproduced or utilized in any form or by any means, electronic or mechanical, including photocopying and microfilm, without permission in writing from the publisher.

International Organization for Standardization  
Case postale 56 • CH-1211 Genève 20 • Switzerland  
Internet central@iso.ch  
X.400 c=ch; a=400net; p=iso; o=isocs; s=central

Printed in Switzerland



**INTERNATIONAL STANDARD ISO 1522:1998**  
**TECHNICAL CORRIGENDUM 1**

Published 1998-11-15

INTERNATIONAL ORGANIZATION FOR STANDARDIZATION • МЕЖДУНАРОДНАЯ ОРГАНИЗАЦИЯ ПО СТАНДАРТИЗАЦИИ • ORGANISATION INTERNATIONALE DE NORMALISATION

**Paints and varnishes — Pendulum damping test****TECHNICAL CORRIGENDUM 1***Peintures et vernis — Essai d'amortissement du pendule**RECTIFICATIF TECHNIQUE 1*

Technical Corrigendum 1 to International Standard ISO 1522:1998 was prepared by Technical Committee ISO/TC 35, *Paints and varnishes*, Subcommittee SC 9, *General test methods for paints and varnishes*.

(standards.iteh.ai)

SIST EN ISO 1522:2001

<https://standards.iteh.ai/catalog/standards/sist/92c3546b-9a9c-4c03-baef-a53ce48b9085/sist-en-iso-1522-2001>

*Page 2*

**Figure 1**

Replace the existing figure by the accompanying figure in which the arrow indicating the length of the cross-bar (2) has been extended to the ends of the cross-bar. In addition, the wording of item 2 in the key has been corrected to indicate that the cross-bar width is  $(12 \pm 0,1)$  mm (the length is 150 mm).

*Page 3*

**Figure 2**

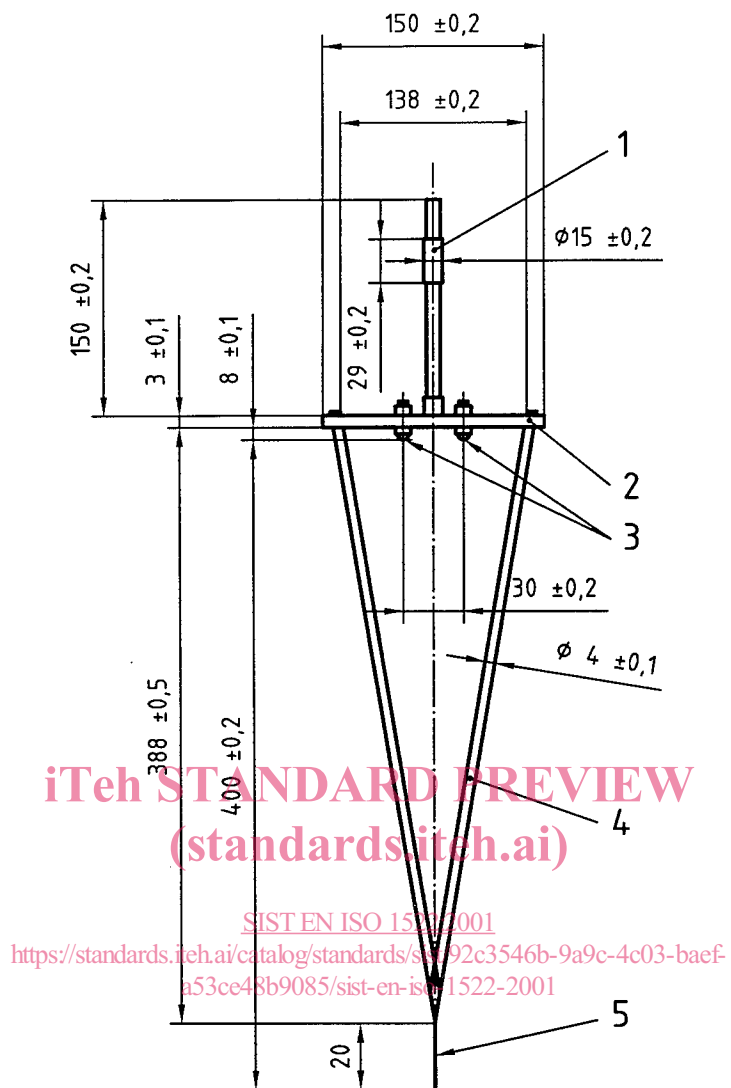
Replace the existing figure by the accompanying figure in which the 60 mm dimension extends to the bottom of the ball and not to the bar.

**iTeh STANDARD PREVIEW**  
**(standards.iteh.ai)**

[SIST EN ISO 1522:2001](#)

<https://standards.iteh.ai/catalog/standards/sist/92c3546b-9a9c-4c03-baef-a53ce48b9085/sist-en-iso-1522-2001>

Dimensions in millimetres



- 1 Counterpoise (adjustable)
- 2 Cross-bar, width  $12 \pm 0,1$
- 3 Ball,  $\phi 5$
- 4 Frame
- 5 Tip

Figure 1 — König pendulum