



**SLOVENSKI STANDARD**  
**SIST ISO 722:1997**

**01-avgust-1997**

---

**Oprema za vrtanje kamnin - Votlo vrtno drogovje v obliki šesterokotnih in okroglih palic**

Rock drilling equipment -- Hollow drill steels in bar form, hexagonal and round

Matériel de forage des roches -- Barres creuses, hexagonales et rondes pour fleurets

**iTeh STANDARD PREVIEW**  
**(standards.iteh.ai)**

**Ta slovenski standard je istoveten z: ISO 722:1991**

<https://standards.iteh.ai/catalog/standards/sist/a16328db-f60e-4b1d-a590-12c861a71de4/sist-iso-722-1997>

**ICS:**

73.100.30	Oprema za vrtanje in izkopavanje	Equipment for drilling and mine excavation
-----------	----------------------------------	--

**SIST ISO 722:1997**

**en**

**iTeh STANDARD PREVIEW**  
**(standards.iteh.ai)**

SIST ISO 722:1997

<https://standards.iteh.ai/catalog/standards/sist/a16328db-f60e-4b1d-a590-12c861a7fde4/sist-iso-722-1997>

# INTERNATIONAL STANDARD

**ISO**  
**722**

Third edition  
1991-02-15

---

---

## Rock drilling equipment — Hollow drill steels in bar form, hexagonal and round

**iTeh STANDARD PREVIEW**  
*Matériel de forage des roches — Barres creuses, hexagonales et rondes  
pour fleurets*  
**(standards.iteh.ai)**

[SIST ISO 722:1997](https://standards.iteh.ai/catalog/standards/sist/a16328db-f60e-4b1d-a590-12c861a7fde4/sist-iso-722-1997)

[https://standards.iteh.ai/catalog/standards/sist/a16328db-f60e-4b1d-a590-  
12c861a7fde4/sist-iso-722-1997](https://standards.iteh.ai/catalog/standards/sist/a16328db-f60e-4b1d-a590-12c861a7fde4/sist-iso-722-1997)



Reference number  
ISO 722:1991(E)

## ISO 722:1991(E)

**Foreword**

ISO (the International Organization for Standardization) is a worldwide federation of national standards bodies (ISO member bodies). The work of preparing International Standards is normally carried out through ISO technical committees. Each member body interested in a subject for which a technical committee has been established has the right to be represented on that committee. International organizations, governmental and non-governmental, in liaison with ISO, also take part in the work. ISO collaborates closely with the International Electrotechnical Commission (IEC) on all matters of electrotechnical standardization.

Draft International Standards adopted by the technical committees are circulated to the member bodies for voting. Publication as an International Standard requires approval by at least 75 % of the member bodies casting a vote.

International Standard ISO 722 was prepared by Technical Committee ISO/TC 82, *Mining*.

This third edition cancels and replaces the second edition (ISO 722:1985), which has been technically revised (addition of round drill steels and extension of the range of sizes).

© ISO 1991

All rights reserved. No part of this publication may be reproduced or utilized in any form or by any means, electronic or mechanical, including photocopying and microfilm, without permission in writing from the publisher.

International Organization for Standardization  
Case Postale 56 • CH-1211 Genève 20 • Switzerland

Printed in Switzerland

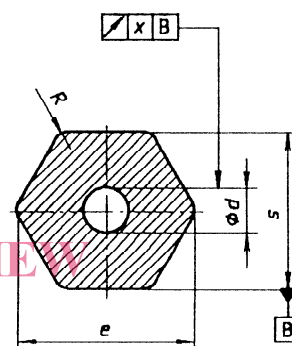
# Rock drilling equipment — Hollow drill steels in bar form, hexagonal and round

## 1 Scope

This International Standard specifies the dimensions of hexagonal and round drill steels in bar form used for rock drilling.

## 2 Dimensions

The dimensions for hollow hexagonal and round drill steels in bar form shall comply with the dimensions given in figure 1 and table 1 and in figure 2 and table 2, respectively.



### 2.1 Hexagonal drill steels

SIST ISO 722:1997

<https://standards.iteh.ai/catalog/standards/sist/a16328db-f60e-4b1d-a590-12c861a7fde4/sist-iso-722-1997>

Figure 1

Table 1

Dimensions in millimetres

Nominal size	Size	$s$ Tolerance	$e$ approx.	$d$ min.	$R$ $\begin{matrix} +1 \\ 0 \end{matrix}$	$x$
19	19,2	$\begin{matrix} 0 \\ -0,4 \end{matrix}$	21,4	5,5	1,5	1,5
22	22,4	$\begin{matrix} 0 \\ -0,5 \end{matrix}$	24,8	6,1	2	1,5
25	25,6	$\begin{matrix} 0 \\ -0,5 \end{matrix}$	28,5	6,8	2	1,5
28	28,9	$\begin{matrix} 0 \\ -0,7 \end{matrix}$	31,9	8,3	3	1,5
32	32,3	$\begin{matrix} 0 \\ -0,9 \end{matrix}$	35,2	8,8	3,2	2,4
38	38,65	$\begin{matrix} 0 \\ -0,9 \end{matrix}$	42,6	13	3,2	2,4
45	45,4	$\begin{matrix} 0 \\ -1,4 \end{matrix}$	49,2	14,5	4,5	3,2

## 2.2 Round drill steels

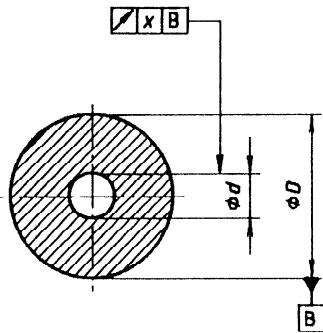


Figure 2

Table 2

Dimensions in millimetres

Nominal size	$D$		$d$ min.	$x$
	Size	Tolerance		
32	32,4	$\begin{matrix} 0 \\ -0,7 \end{matrix}$	8,8	1,6
38	39,5	$\begin{matrix} 0 \\ -1 \end{matrix}$	13	2
45	46,5	$\begin{matrix} 0 \\ -1,4 \end{matrix}$	14,5	3
51	52,6	$\begin{matrix} 0 \\ -1,6 \end{matrix}$	16	3

**iTeh STANDARD PREVIEW**  
(standards.iteh.ai)

[SIST ISO 722:1997](https://standards.iteh.ai/catalog/standards/sist/a16328db-f60e-4b1d-a590-12c861a7fde4/sist-iso-722-1997)

<https://standards.iteh.ai/catalog/standards/sist/a16328db-f60e-4b1d-a590-12c861a7fde4/sist-iso-722-1997>

---



---

**UDC 622.233.6:669.14-462**

**Descriptors:** mining equipment, drilling equipment, rock drills, drill steels, bore bits, hollow profiles, hexagonal bars, round bars, dimensions.

Price based on 2 pages

---



---