



Designation: B 369 – 06

# Standard Specification for Copper-Nickel Alloy Castings<sup>1</sup>

This standard is issued under the fixed designation B 369; the number immediately following the designation indicates the year of original adoption or, in the case of revision, the year of last revision. A number in parentheses indicates the year of last reapproval. A superscript epsilon ( $\epsilon$ ) indicates an editorial change since the last revision or reapproval.

*This standard has been approved for use by agencies of the Department of Defense.*

## 1. Scope\*

1.1 This specification establishes the requirements for copper-nickel alloy castings with nominal compositions shown in [Table 1](#). These are as follows:<sup>2</sup>

Copper Alloy UNS No. <sup>2</sup>	Previous Designation
C96200	Alloy A
C96400	Alloy B

1.2 Castings of these alloys are used primarily for corrosion-resistance applications such as in construction and for pressure vessels, particularly in marine pumps, valves, and fittings.

1.3 These alloys are considered weldable, but they may be ordered with a weld test to ensure weldability. When extensive welding is to be performed on the casting, weldability tests should be specified in the ordering information ([4.2.6](#)) to ensure proper welding characteristics.

1.4 *Units*—Values stated in inch-pound units are to be regarded as standard. The values given in parentheses are mathematical conversions to SI units, which are provided for information only and are not considered standard.

1.5 The following hazard statement applies only to [Section 7](#), Weldability Test, of this specification. *This standard does not purport to address all of the safety concerns, if any, associated with its use. It is the responsibility of the user of this standard to establish appropriate safety and health practices and determine the applicability of regulatory limitations prior to use.*

## 2. Referenced Documents

### 2.1 ASTM Standards:<sup>3</sup>

<sup>1</sup> This specification is under the jurisdiction of ASTM Committee B05 on Copper and Copper Alloys and is the direct responsibility of Subcommittee B05.05 on Castings and Ingots for Remelting.

Current edition approved Oct. 1, 2006. Published October 2006. Originally approved in 1961. Last previous edition approved in 2003 as B 369 – 96 (2003).

<sup>2</sup> The UNS system for copper and copper alloys (see [Practice E 527](#)) is a simple expansion of the former standard designation system accomplished by the addition of a prefix “C” and a suffix “00”. The suffix can be used to accommodate composition variations of the base alloy.

<sup>3</sup> For referenced ASTM standards, visit the ASTM website, www.astm.org, or contact ASTM Customer Service at service@astm.org. For *Annual Book of ASTM Standards* volume information, refer to the standard’s Document Summary page on the ASTM website.

[B 208](#) Practice for Preparing Tension Test Specimens for Copper Alloy Sand, Permanent Mold, Centrifugal, and Continuous Castings

[B 824](#) Specification for General Requirements for Copper Alloy Castings

[B 846](#) Terminology for Copper and Copper Alloys

[E 527](#) Practice for Numbering Metals and Alloys (UNS)

2.2 *ASME Code:*

[ASME Boiler and Pressure Vessel Code](#)<sup>4</sup>

2.3 *AWS Standard:*

[AWS A5.6](#) Specification for Copper and Copper-Alloy Arc-Welding Electrodes<sup>5</sup>

## 3. Terminology

3.1 For definitions of terms relating to copper alloys, refer to [Terminology B 846](#).

## 4. Ordering Information

4.1 Orders for castings under this specification should include the following information:

4.1.1 Specification title, number, and year of issue,

4.1.2 Quantity of castings,

4.1.3 Copper Alloy UNS Number ([Table 2](#)),

4.1.4 Pattern or drawing number and condition (as-cast, machined, and so forth),

4.1.5 ASME Boiler and Pressure Vessel Code Requirements ([Section 12](#)),

4.1.6 When material is purchased for agencies of the U.S. Government, the Supplementary Requirements of this specification may be specified.

4.2 The following are optional and should be specified in the purchase order when required:

4.2.1 Pressure test or soundness requirements ([Specification B 824](#)),

4.2.2 Witness inspection ([Specification B 824](#)),

4.2.3 Certification ([Specification B 824](#)),

4.2.4 Foundry test report ([Specification B 824](#)),

4.2.5 Product marking ([Specification B 824](#)),

<sup>4</sup> Available from American Society of Mechanical Engineers (ASME), ASME International Headquarters, Three Park Ave., New York, NY 10016-5990.

<sup>5</sup> Available from The American Welding Society (AWS), 550 NW LeJeune Rd., Miami, FL 33126.

\*A Summary of Changes section appears at the end of this standard.

TABLE 1 Nominal Compositions

Copper Alloy UNS No.	Composition, %					
	Copper	Nickel	Iron	Silicon	Manganese	Niobium
C96200	87.5	10.0	1.5	0.1	0.9	...
C96400	67.0	30.0	0.7	0.5	0.8	1.0

TABLE 2 Chemical Requirements

	Copper Alloy UNS No. C96200		Copper Alloy UNS No. C96400	
	Min, %	Max, %	Min, %	Max, %
Copper	balance		balance	
Lead	...	0.01	...	0.01
Iron	1.0	1.8	0.25	1.5
Nickel, incl cobalt	9.0	11.0	28.0	32.0
Manganese	...	1.5	...	1.5
Silicon	...	0.50	...	0.50
Niobium	...	1.0 <sup>A</sup>	0.50	1.5
Phosphorus	...	0.02	...	0.02
Sulfur	...	0.02	...	0.02
Carbon	...	0.10	...	0.15

<sup>A</sup> When product or casting is intended for subsequent welding applications, and so specified by the purchaser, the niobium content shall be 0.40 % max.

4.2.6 Weldability test (1.3, Section 7, and Table 2), and

4.2.7 Approval of weld procedure and records of repairs (Section 8).

5. Chemical Composition

5.1 The castings shall conform to the chemical requirements shown in Table 2 for the copper alloy UNS numbers specified in the purchase order.

5.2 These specification limits do not preclude the presence of other elements. Limits may be established and analysis required for unnamed elements agreed upon between the manufacturer or supplier and the purchaser. Copper may be given as remainder and may be taken as the difference between the sum of all elements analyzed and 100 %. When all the elements in the table are analyzed, their sum shall be 99.5 % minimum.

6. Mechanical Properties

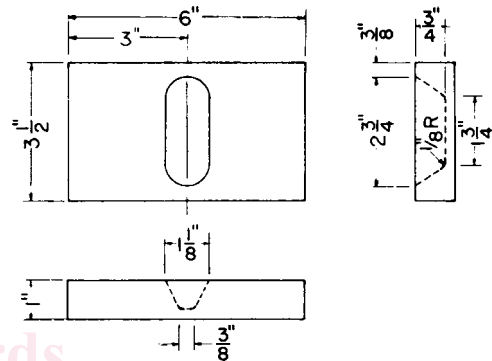
6.1 Mechanical properties shall be determined from separately cast test bar castings, and shall meet the requirements shown in Table 3.

7. Weldability Test

7.1 When specified in the purchase order at least one test cast as shown in Fig. 1 shall be prepared for each lot of welding grade castings (4.2.6).

TABLE 4 Metric Conversion Values for Figs. 1 and 2

in.	mm	in.	mm
1/8	3.18	1 3/4	44.4
3/8	9.52	2 3/4	69.8
3/4	19.0	3	76.2
1	25.4	3 1/2	88.9
1 1/8	28.6	6	152



NOTE 1—For metric equivalents see Table 4.

FIG. 1 Cast Block for Weldability Test

7.2 The block shall be molded, gated, and risered in a manner to produce a sound casting without defects that might interfere with welding or the interpretation of the results of the test.

7.3 The groove in the test block shall be completely filled with weld deposit metal, using the manual metallic-arc process with 1/8-in. (12.7-mm) or 5/32-in. (3.97-mm) diameter copper-nickel (70-30) coated electrodes conforming to classification AWS ECuNi of AWS Specification A5.6. The interpass temperature need not be controlled, unless it is to be controlled in fabrication.

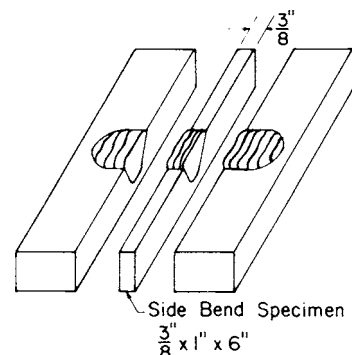
7.4 One 3/8-in. (9.52-mm) minimum thick bend coupon (see Fig. 2), shall be removed longitudinally from the center of the

TABLE 3 Mechanical Requirements

	Copper Alloy UNS No. C96200	Copper Alloy UNS No. C96400
Tensile strength, min, ksi <sup>A</sup> (MPa)	45 (310)	60 (415)
Yield strength, <sup>B</sup> min, ksi <sup>A</sup> (MPa)	25 (170)	32 (220)
Elongation in 2 in. (50.8 mm), %	20	20

<sup>A</sup> ksi = 1000 psi.

<sup>B</sup> Yield strength shall be determined as the stress producing an elongation under load of 0.5 %, that is 0.01 in. (0.254 mm) in a gage length of 2 in. (50.8 mm).



NOTE 1—For metric equivalents see Table 4.

FIG. 2 Weldability Test Block