

---

---

**Road vehicles — Sheath-type glow-plugs  
with conical seating and their cylinder  
head housing —**

Part 4:  
**M8 × 1 glow-plugs**

**iTeh STANDARD PREVIEW**  
**(standards.iteh.ai)**  
*Véhicules routiers — Bougies de préchauffage à fourreau et à siège  
conique et leur logement dans la culasse —  
Partie 4. Bougies M8 × 1*

ISO 6550-4:2009

<https://standards.iteh.ai/catalog/standards/sist/3c096f04-c374-4c3e-b07a-02c3efa95706/iso-6550-4-2009>



**PDF disclaimer**

This PDF file may contain embedded typefaces. In accordance with Adobe's licensing policy, this file may be printed or viewed but shall not be edited unless the typefaces which are embedded are licensed to and installed on the computer performing the editing. In downloading this file, parties accept therein the responsibility of not infringing Adobe's licensing policy. The ISO Central Secretariat accepts no liability in this area.

Adobe is a trademark of Adobe Systems Incorporated.

Details of the software products used to create this PDF file can be found in the General Info relative to the file; the PDF-creation parameters were optimized for printing. Every care has been taken to ensure that the file is suitable for use by ISO member bodies. In the unlikely event that a problem relating to it is found, please inform the Central Secretariat at the address given below.

**iTeh STANDARD PREVIEW**  
**(standards.iteh.ai)**

[ISO 6550-4:2009](#)

<https://standards.iteh.ai/catalog/standards/sist/3c096f04-c374-4c3e-b07a-02c3efa95706/iso-6550-4-2009>



**COPYRIGHT PROTECTED DOCUMENT**

© ISO 2009

All rights reserved. Unless otherwise specified, no part of this publication may be reproduced or utilized in any form or by any means, electronic or mechanical, including photocopying and microfilm, without permission in writing from either ISO at the address below or ISO's member body in the country of the requester.

ISO copyright office  
Case postale 56 • CH-1211 Geneva 20  
Tel. + 41 22 749 01 11  
Fax + 41 22 749 09 47  
E-mail [copyright@iso.org](mailto:copyright@iso.org)  
Web [www.iso.org](http://www.iso.org)

Published in Switzerland

**Contents**

Page

Foreword .....	iv
<b>1 Scope .....</b>	<b>1</b>
<b>2 Normative references .....</b>	<b>1</b>
<b>3 Dimensions and tolerances .....</b>	<b>1</b>
<b>3.1 General .....</b>	<b>1</b>
<b>3.2 Glow-plugs .....</b>	<b>1</b>
<b>3.3 Cylinder head housing .....</b>	<b>5</b>
<b>3.4 Threads .....</b>	<b>6</b>
<b>3.5 Dimension limits of threads M8 × 1 .....</b>	<b>6</b>
<b>4 Installation tightening torque .....</b>	<b>7</b>
<b>Annex A (informative) M8 × 1 glow-plugs with 10 mm hexagon and their cylinder head housing .....</b>	<b>8</b>
<b>Bibliography .....</b>	<b>10</b>

**iTeh STANDARD PREVIEW**  
**(standards.iteh.ai)**

ISO 6550-4:2009

<https://standards.iteh.ai/catalog/standards/sist/3c096f04-c374-4c3e-b07a-02c3efa95706/iso-6550-4-2009>

## Foreword

ISO (the International Organization for Standardization) is a worldwide federation of national standards bodies (ISO member bodies). The work of preparing International Standards is normally carried out through ISO technical committees. Each member body interested in a subject for which a technical committee has been established has the right to be represented on that committee. International organizations, governmental and non-governmental, in liaison with ISO, also take part in the work. ISO collaborates closely with the International Electrotechnical Commission (IEC) on all matters of electrotechnical standardization.

International Standards are drafted in accordance with the rules given in the ISO/IEC Directives, Part 2.

The main task of technical committees is to prepare International Standards. Draft International Standards adopted by the technical committees are circulated to the member bodies for voting. Publication as an International Standard requires approval by at least 75 % of the member bodies casting a vote.

Attention is drawn to the possibility that some of the elements of this document may be the subject of patent rights. ISO shall not be held responsible for identifying any or all such patent rights.

ISO 6550-4 was prepared by Technical Committee ISO/TC 22, *Road vehicles*, Subcommittee SC 1, *Ignition equipment*.

This second edition cancels and replaces the first edition (ISO 6550-4:2005), which has been technically revised.

ISO 6550 consists of the following parts, under the general title *Road vehicles — Sheath-type glow-plugs with conical seating and their cylinder head housing*:

- Part 1: *M14 × 1,25 glow-plugs*
- Part 2: *M12 × 1,25 glow-plugs*
- Part 3: *M10 glow-plugs*
- Part 4: *M8 × 1 glow-plugs*

iTeh STANDARD PREVIEW  
(standards.iteh.ai)

<https://standards.iteh.ai/catalog/standards/sist/3c096f04-c374-4c3e-b07a-02c3efa95706/iso-6550-4-2009>

# Road vehicles — Sheath-type glow-plugs with conical seating and their cylinder head housing —

## Part 4: M8 × 1 glow-plugs

### 1 Scope

This part of ISO 6550 specifies the main characteristics of M8 × 1 sheath-type glow-plugs with conical seating and their cylinder head housing, for use with diesel (compression-ignition) engines.

### 2 Normative references

The following referenced documents are indispensable for the application of this document. For dated references, only the edition cited applies. For undated references, the latest edition of the referenced document (including any amendments) applies.

ISO 68-1, *ISO general purpose screw threads — Basic profile — Part 1: Metric screw threads*  
[ISO 6550-4:2009](https://standards.iteh.ai/catalog/standards/si/3c096f04-c374-4c3e-b07a-02c3efa95706/iso-6550-4-2009)

ISO 261, *ISO general purpose metric screw threads — General plan*  
<https://standards.iteh.ai/catalog/standards/si/3c096f04-c374-4c3e-b07a-02c3efa95706/iso-6550-4-2009>

ISO 965-1, *ISO general-purpose metric screw threads — Tolerances — Part 1: Principles and basic data*

ISO 965-3, *ISO general purpose metric screw threads — Tolerances — Part 3: Deviations for constructional screw threads*

ISO 2768-2:1989, *General tolerances — Part 2: Geometrical tolerances for features without individual tolerance indications*

ISO 8092-4:1997, *Road vehicles — Connections for on-board electrical wiring harnesses — Part 4: Pins for single- and multi-pole connections — Dimensions and specific requirements*

### 3 Dimensions and tolerances

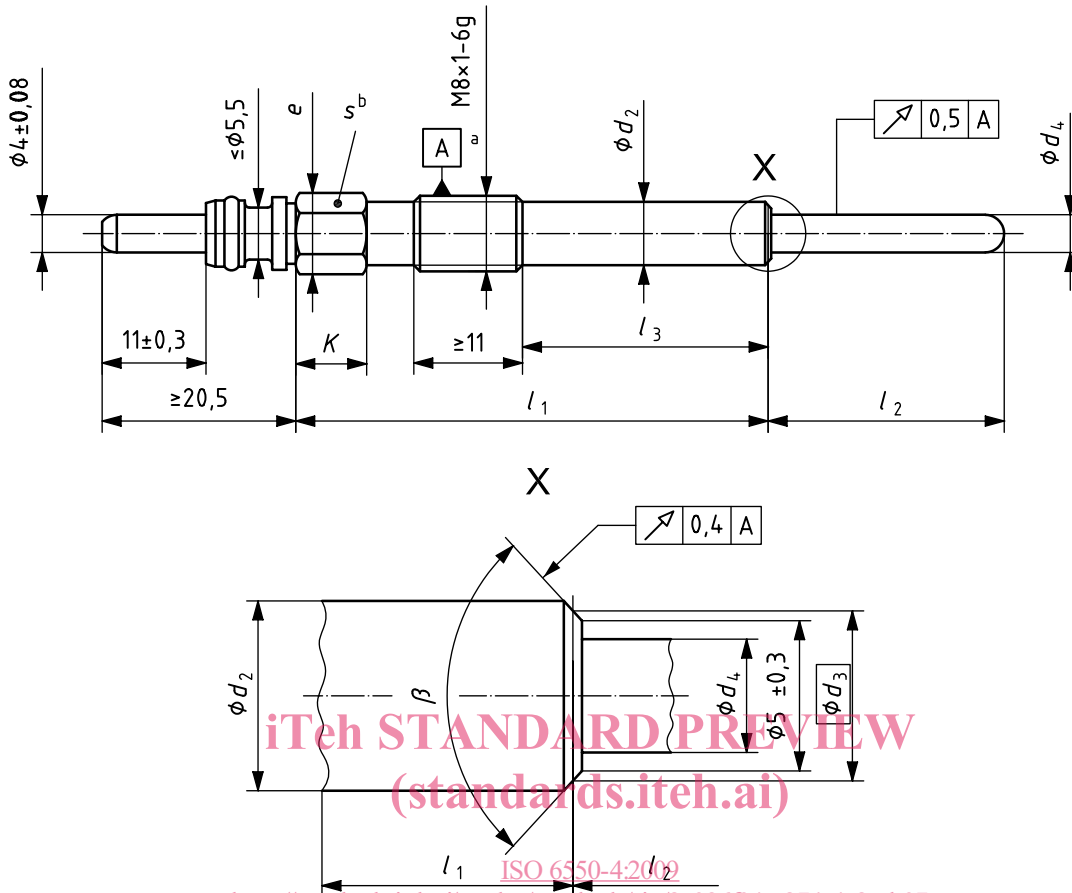
#### 3.1 General

Unless otherwise specified, the general geometric tolerances in accordance with ISO 2768-2:1989, tolerance class H, apply.

#### 3.2 Glow-plugs

Sheath-type glow-plug dimensions and tolerances shall be as shown in Figures 1 to 5 and Tables 1 and 2.

Dimensions in millimetres

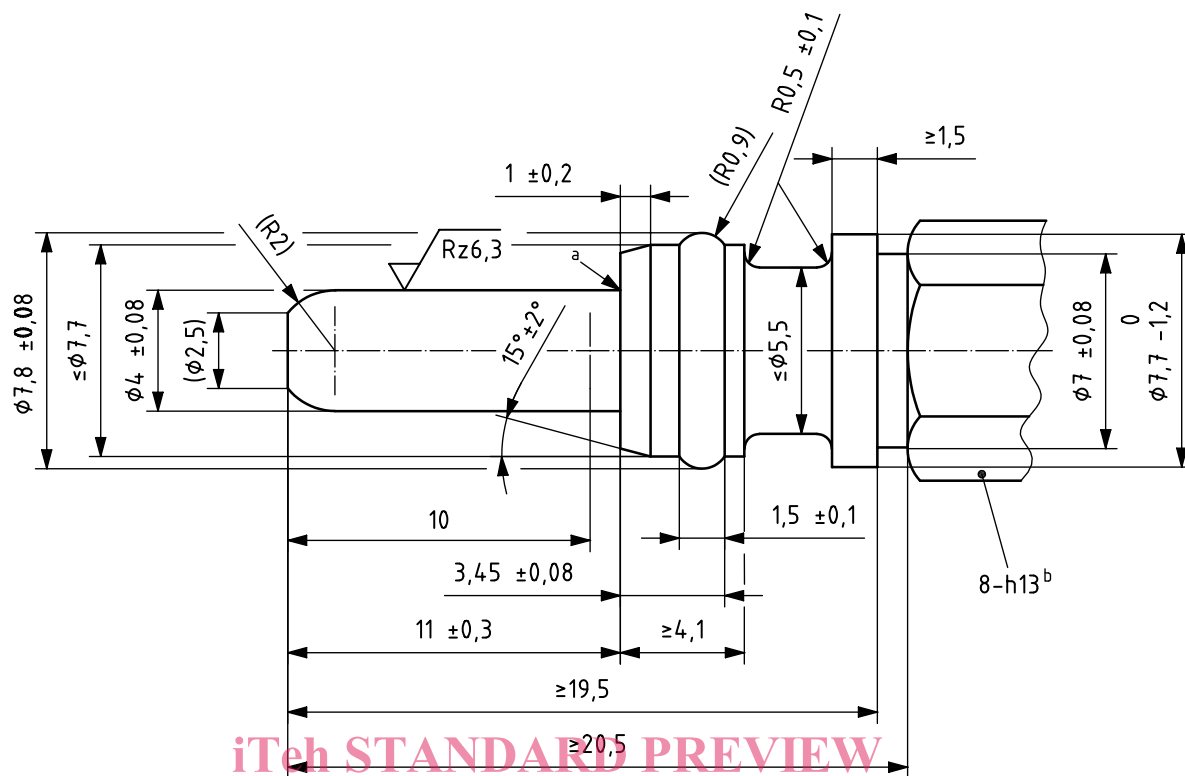


ISO 6550-4:2009  
<https://standards.iteh.ai/catalog/standards/sist/3c096f04-c374-4c3e-b07a-02c3ef895706/iso-6550-4-2009>

- a Major diameter, in accordance with ISO 965-1 or ISO 965-3.
- b Hexagon.

Figure 1 — Glow-plug with pin terminal

Dimensions in millimetres



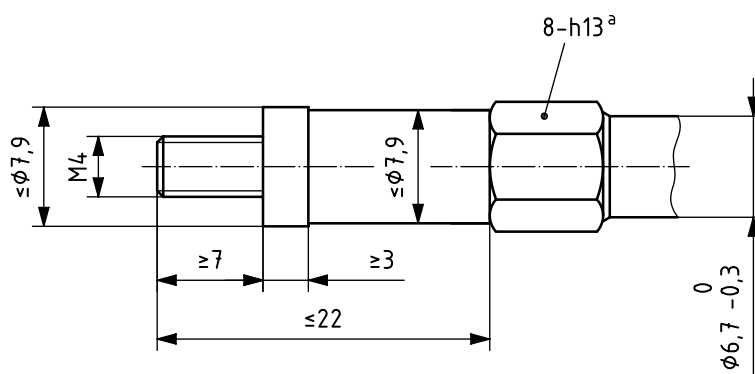
a Contour agreed between glow-plug and engine manufacturer.

b Hexagon.

ISO 6550-4:2009  
<https://standards.itech.ai/catalog/standards/sist/3c096f04-c374-4c3e-b07a-02c3efa95706/iso-6550-4-2009>

Figure 2 — Glow-plug pin terminal

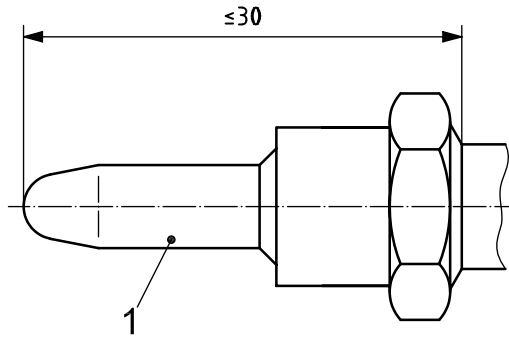
Dimensions in millimetres



a Hexagon.

Figure 3 — Glow-plug threaded terminal

Dimensions in millimetres

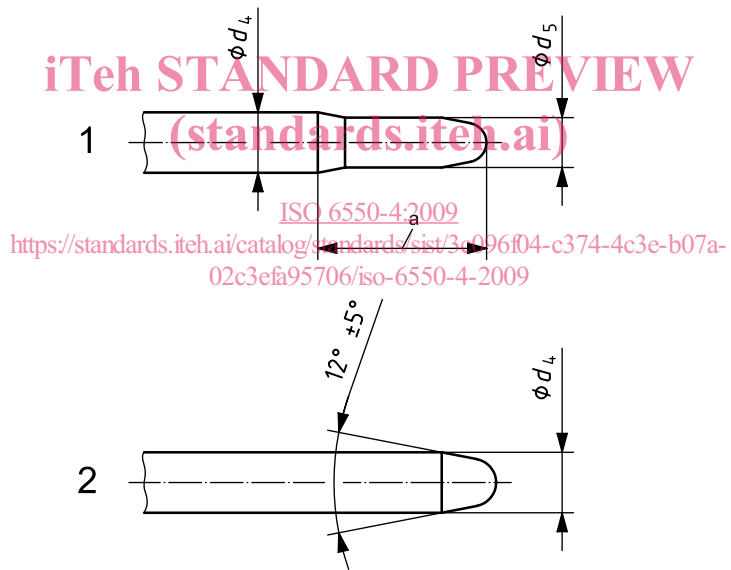


**Key**

- 1 pin (see ISO 8092-4:1997, Table 1, pin size 4)

**Figure 4 — Optional glow-plug pin terminal**

Dimensions in millimetres



**Key**

- 1 cylinder type A2 or A4
- 2 cylinder type A1 or A3
- <sup>a</sup> Contour optional.

**Figure 5 — Reduced tip end and cone end**



Table 1 — Glow-plug dimensions  $l_1$  and  $l_2$ 

Dimensions in millimetres

$l_1 \pm 0,5^a$	27	<b>42<sup>b</sup></b>	57	67	<b>72<sup>b</sup></b>	87	<b>102<sup>b</sup></b>
$l_2 \pm 0,5^a$	20	<b>25<sup>b</sup></b>	28	<b>30<sup>b</sup></b>	35		
<sup>a</sup> Dimensions $l_1$ and $l_2$ shall be combined as appropriate. <sup>b</sup> Dimensions in bold shall be preferred.							

Table 2 — Other glow-plug dimensions

Dimensions in millimetres

Type	Terminal	Hexagon			Body				Glow-plug tube									
		$s$	$e$	$k_{-0,3}^0$	$\beta \pm 2^\circ$	$d_{2-0,3}^0$	$d_3$ ref.	$l_3$	$d_4 \pm 0,2$	$d_5 \pm 0,1$	$a$							
A1	Pin	8-h13	$\geq 8,6$	7,5	93°	6,7	6,0	$\geq 10$	4,0	—	—							
A2									3,3	$\geq 5$								
A3									4,4	—	—							
A4										3,5	$\geq 5$							
A5	M4								8-h13	$\geq 8,6$	7,5	93°	6,7	6,0	$\geq 10$	4,0	—	—
A6																3,3	$\geq 5$	
A7																4,4	—	—
A8																	3,5	$\geq 5$
B1	pin	8-h13	$\geq 8,6$	7,5	123°	6,7	6,0	$\geq 10$								4,0	—	—
B2																3,3	$\geq 5$	
B3																4,4	—	—
B4																	3,5	$\geq 5$
B5	M4								8-h13	$\geq 8,6$	7,5	123°	6,7	6,0	$\geq 10$	4,0	—	—
B6																3,3	$\geq 5$	
B7																4,4	—	—
B8																	3,5	$\geq 5$

### 3.3 Cylinder head housing

The dimensions and tolerances of the cylinder head housing for sheath-type glow-plugs shall be as given in Figure 6 and Table 3.