



Designation: F2559 – 06

## Standard Guide for Writing a Specification for Sterilizable Peel Pouches<sup>1</sup>

This standard is issued under the fixed designation F2559; the number immediately following the designation indicates the year of original adoption or, in the case of revision, the year of last revision. A number in parentheses indicates the year of last reappraisal. A superscript epsilon ( $\epsilon$ ) indicates an editorial change since the last revision or reappraisal.

### 1. Scope

1.1 This guide defines the requirements and considerations for flexible peel pouches with one open, unsealed end that are intended to be sterilized containing medical devices. These are also known as preformed sterile barrier systems.

1.2 Pouch styles are categorized as chevron, header, and corner peel. These pouches are typically manufactured by heat sealing, or in some cases, by cohesive cold sealing. The sealing bond is intended to be peeled open to aseptically dispense the contents.

1.3 Pouch materials may be either porous, nonporous, or any combination of the two.

1.4 This guide addresses some critical printing requirements on the pouch.

1.5 *This standard does not purport to address all of the safety concerns, if any, associated with its use. It is the responsibility of the user of this standard to establish appropriate safety and health practices and determine the applicability of regulatory limitations prior to use.*

### 2. Referenced Documents

#### 2.1 ASTM Standards:<sup>2</sup>

[E122 Practice for Calculating Sample Size to Estimate, With Specified Precision, the Average for a Characteristic of a Lot or Process](#)

[F17 Terminology Relating to Flexible Barrier Packaging](#)

[F88 Test Method for Seal Strength of Flexible Barrier Materials](#)

[F1140 Test Methods for Internal Pressurization Failure Resistance of Unrestrained Packages](#)

[F1886 Test Method for Determining Integrity of Seals for Medical Packaging by Visual Inspection](#)

[F2054 Test Method for Burst Testing of Flexible Package Seals Using Internal Air Pressurization Within Restraining Plates](#)

[F2097 Guide for Design and Evaluation of Primary Flexible Packaging for Medical Products](#)

[F2203 Test Method for Linear Measurement Using Precision Steel Rule](#)

[F2250 Practice for Evaluation of Chemical Resistance of Printed Inks and Coatings on Flexible Packaging Materials](#)

[F2475 Guide for Biocompatibility Evaluation of Medical Device Packaging Materials](#)

2.2 *TAPPI Standards:*

[T437 Dirt in Paper and Paperboard](#)<sup>3</sup>

### 3. Terminology

3.1 *Definitions*—For definitions and terms used in this guide, see Terminology [F17](#).

3.2 *Definitions of Terms Specific to This Standard:*

3.2.1 *pouch, n*—a flexible package constructed of one or more materials sealed together to form a preformed sterile barrier system. When purchased, one end or side is open to allow for product loading and final sealing.

3.2.2 *specification, n*—an explicit set of requirements to be satisfied by a material, product, system, or service. Examples of specifications include, but are not limited to, requirements for; physical, mechanical, or chemical properties, and safety, quality, or performance criteria. A specification identifies the test methods for determining whether each of the requirements is satisfied.<sup>4</sup>

### 4. Summary

4.1 This guide provides guidance for writing a peel pouch material specification. Materials, method of manufacture, physical properties, performance requirements, dimensioning, appearance, and printing are all issues that need to be addressed in a peel pouch specification. Appropriate requirements and test methods are suggested for preparing a specification.

### 5. Significance and Use

5.1 Medical device peel pouches are universally used by the industry and produced by a myriad of suppliers. They may be constructed of many different materials including films, foils, paper, nonwovens such as Tyvek, and combinations thereof.

<sup>1</sup> This guide is under the jurisdiction of ASTM Committee [F02](#) on Flexible Barrier Packaging and is the direct responsibility of Subcommittee [F02.50](#) on Package Design and Development.

Current edition approved Nov. 1, 2006. Published November 2006. DOI: 10.1520/F2559-06.

<sup>2</sup> For referenced ASTM standards, visit the ASTM website, [www.astm.org](http://www.astm.org), or contact ASTM Customer Service at [service@astm.org](mailto:service@astm.org). For *Annual Book of ASTM Standards* volume information, refer to the standard's Document Summary page on the ASTM website.

<sup>3</sup> Available from Technical Association of the Pulp and Paper Industry (TAPPI), 15 Technology Parkway South, Norcross, GA 30092, <http://www.tappi.org>.

<sup>4</sup> In accordance with ASTM International *Form and Style for ASTM Standards*.

However, even with the diversity of materials, there are still basic requirements that all pouches should exhibit. Above all, the pouches must contain and protect the device while maintaining sterility during all physical handling.

5.2 Pouch requirements may be divided into two categories, initial pouch and material qualification, and routine production and receipt requirements to ensure the purchaser receives exactly what is ordered. While all requirements should be included in the written specification, initial qualification tests may only be needed prior to the first order. Routine production and receipt requirements should be adhered to on every order. Initial qualification requirements are indicated within each clause, where applicable.

5.3 This guide provides an understanding of the requirements needed for the manufacture, purchase, and acceptance of a preformed peelable pouch. Appropriate test methods for compliance are also cited.

NOTE 1—All test methods for a particular requirement may not be cited due to specific or unique circumstances. For additional guidance on applicable methods, refer to Guide F2097.

5.4 The specification and its requirements should be mutually agreed to by the supplier and purchaser of pouches. This helps ensure that pouches will comply to specified requirements.

## 6. Specification

### 6.1 Classification:

#### 6.1.1 Style:

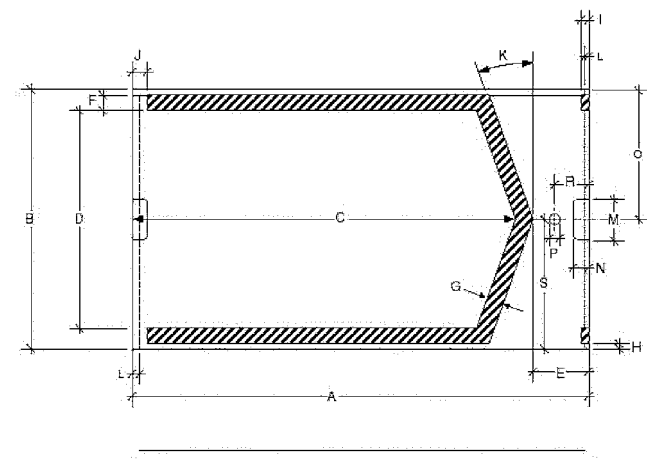
6.1.1.1 Chevron pouch (see Fig. 1),

6.1.1.2 Corner peel pouch (see Fig. 2), and

6.1.1.3 Header bag (see Fig. 3).

#### 6.2 Materials and Manufacture:

6.2.1 Materials used in the construction of medical device peel pouches should be specified as non-toxic, providing a microbial barrier and any other appropriate physical barrier (oxygen, water vapor, light, and so forth), and being compatible with the intended sterilization process. These requirements should be evaluated during the initial package qualification and are not typically performed on a routine production basis.



NOTE—Dimension “I” or “J” but not both.

FIG. 1 Chevron Pouch

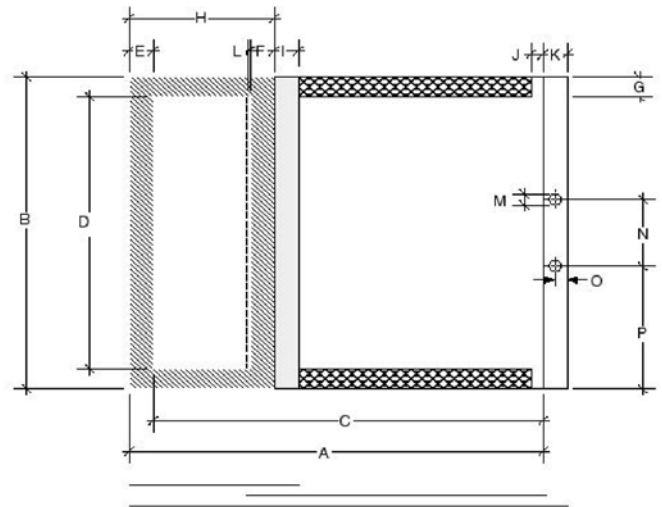


FIG. 2 Header Bag

NOTE 2—There are numerous test methods associated with determining physical and chemical properties of flexible materials used in the fabrication of pouches. Care should be taken in selecting the most appropriate test for the user’s particular application and use. For guidance in determining which methods to use, refer to Guide F2097.

6.2.2 The ability of the materials to demonstrate compliance with predetermined requirements may be addressed by either the certification from raw or component materials supplier or by actual testing performed by the pouch manufacturer in compliance with quality systems. These requirements are often evaluated during the initial package qualification and not typically performed on a routine production basis.

6.2.3 Pouches should be manufactured within a formal quality system.

6.2.4 The process of converting materials into pouches should be validated to demonstrate it is capable of consistently producing a product that complies with predetermined requirements such as dimensions, quality attributes, seal strength and seal integrity.

### 6.3 Physical Properties:

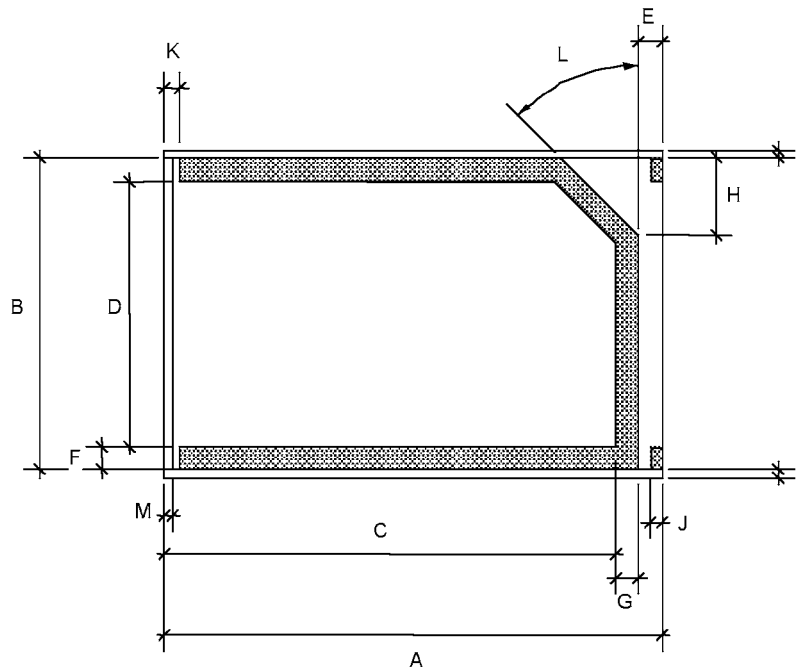
6.3.1 The critical physical property for a peel pouch is how well the seal is fabricated and how well it will stand up to the stresses of sterilization, distribution, storage, and handling environments.

6.3.2 A seal strength should be specified. This requirement may be a minimum or maximum value, or both, the user has qualified, or it may be an average or range value based on the sealing process capability.

NOTE 3—Minimum seal strength is typically that which maintains package integrity through the processing, sterilization, handling, and distribution systems. Maximum seal strength is that which, if exceeded, may result in the perception that the pouch is too difficult to open or causes fiber tear or delamination between one or more of the bonded substrates.

6.3.2.1 Seal strength is measured using a tensile test method such as Test Method F88 or burst test using Test Method F2054 or Test Method F1140.

NOTE 4—Burst testing is more commonly used for in-process testing rather than acceptance testing. If burst strength is to be used for in-process control, then concurrent tensile and burst testing should be performed at the time of validation.



NOTE—Dimension “J” or “K” but not both.

FIG. 3 Corner Peel

6.3.2.2 Test Method F88 indicates three different tail holding methods for the test sample: unsupported, supported 90° (by hand) and supported 180°. Because the effect of each of these on test results is varied, consistent use of one technique should be negotiated with the supplier and indicated in the specification.

6.3.3 The visual seal appearance either in the intact or peeled state should be specified as continuous around the perimeter of the seal with no skips, channels, or unsealed areas. The seal pattern, which can be solid, ribbed, or grid, should be homogeneous over the entire seal area with no spotty or mottled appearance, which typically indicates an insufficient seal. Refer to Test Method F1886.

6.3.4 Pouch seals should be able to withstand the intended sterilization process(es). This requirement should be evaluated during the initial package qualification and not typically performed on a routine production basis.

NOTE 5—Some sterilization processes may cause seals to soften and separate, or increase or decrease seal strength.

6.4 Performance Requirements:

6.4.1 Peeled pouch seal characteristics and requirements should be indicated. When seals are peeled open, there should be no visible film fracturing, delamination, or fiber tear that can create foreign particulate in the operating room sterile field. The pouch is opened in such a way that allows for aseptic presentation of the product. Longer pouches may not need to be opened their entire length to facilitate or provide acceptable transfer technique; therefore, the performance peel assessment may include:

6.4.1.1 Full pouch length if less than 15 cm (6 in.) long.

6.4.1.2 One half (1/2) the pouch length if 15 to 45 cm (6 to 18 in.) long.

6.4.1.3 One third (1/3) pouch length if greater than 45 cm (18 in.) long.

NOTE 6—Peeling or opening technique, as well as pouch geometry and materials, may affect the visual characteristics of the pouch seal. The peeling technique should be one continuous motion.

6.5 Dimensions and Tolerance:

6.5.1 Dimensions critical to product fit and function should be specified. These typically include, but are not limited to, overall length and width, inside length (to the apex of a chevron pouch) and width, chevron or peel angle, and seal width. Other dimensions should be determined based on individual applications and requirements. Refer to Fig. 1, Fig. 2, or Fig. 3.

6.5.1.1 Linear dimensions should be measured in accordance with Test Method F2203.

6.5.1.2 Dimensional tolerances should be in accordance with Table 1.

6.6 Workmanship, Finish, and Appearance:

NOTE 7—Visual inspection of the pouch and pouch materials should be without magnification under normal lighting conditions at a distance of approximately 30 to 45 cm (12 to 18 in.) and any defects should be noticeable without an extended inspection time.

6.6.1 Loose foreign matter limits for both inside and outside of the pouch should be specified and negotiated with and agreed to by all parties. Requirements may be established based on the Dirt Estimation Chart in TAPPI T437.

6.6.2 There should be no wrinkles that could cause channeling through the seal or voids in the seal, and no holes or tears in the pouch.

6.6.3 There should be no scratches or scuffing on the film, if applicable. The degree of scratches or scuffing, if any, should be determined as appropriate for the material used.